

# GOVECS PRO CARGO



EN

DE

ES

FR

IT

NL

**GOVECS**  
GROUP

# Table of contents

## Basic information

Introduction.....	2
Model information.....	3
Safety.....	4
Safe riding.....	5

## Vehicle overview

Main components.....	6
Steering elements.....	7
Rear compartment.....	8
VIN & statutory plate.....	9

## Controls

Left hand controllers.....	10
Right hand controllers.....	11
Display - elements.....	12
Display - data.....	13
Display - settings.....	14
Starting up the scooter.....	15
Ignition.....	16

## External components

Centre stand.....	17
Trunk & cargo rack.....	18
Bag hook.....	19
Mirrors.....	20

## Electric system

Charging the battery.....	21
Fuses & 12V battery.....	22
12V socket.....	23

## Safety equipment

Lights.....	24
Tyres.....	25
Brakes.....	26
Brake fluid level.....	27

## User instructions

Taking care of the vehicle.....	28
---------------------------------	----

## Technical data

Specification sheet.....	29
Maintenance schedule.....	30
Service booklet.....	31

## Final notes

Contact.....	34
--------------	----

EN

# Introduction

---



EN

## **Dear User of the GOVECS scooter,**

We are excited that you have made the decision to purchase the GOVECS scooter and it is our pleasure to welcome you among the great number of GOVECS scooter drivers.

This manual includes instructions concerning proper use, maintenance, and care of your GOVECS scooter. For your own safety and optimal comfort of usage we advise you to carefully read this manual before the first use.

Proper maintenance of the vehicle, observing all usage instructions included in this manual and visiting GOVECS service stations for regular inspections will ensure faultless operation of your scooter.

**Have a comfortable and safe journey!**

# Model information

---

This manual covers the GOVECS PRO CARGO scooter equipped with the Bosch LEM (Light Electric Mobility) system.



EN

# Safety

---

## For your own safety get familiar with the following instructions



Whenever this symbol appears in the manual, it indicates a situation where not following the instructions may result in damage to the scooter or injury to the user.

EN



The batteries installed in GOVECS scooters, are subject to recycling according to the Directive 2006/66/EC of the European Parliament and of the Council of 6 September 2006 on batteries and accumulators and waste batteries and accumulators and repealing Directive 91/157/EEC. Damaged, spent and malfunctioning batteries need to be returned to the GOVECS service station or collection point authorised by the manufacturer.

- The vehicle is permitted to be driven on public roads in the European Union. Local regulations must be followed regarding age restrictions, driver's licence, etc.
- The scooter is designed to be used on hardened roads. It cannot be used as an off-road vehicle.
- The vehicle is designed for optimal performance with an ambient temperature of +5 °C to +35 °C. Operation with reduced performance is possible for -7.5 °C to +40 °C ambient temperature.
- Disassembly of the batteries is not permitted.
- Any repairs to the scooter should be done by an authorised Service Centre.
- GOVECS does not take responsibility for inappropriate use of the vehicle.
- We recommend the user to read this manual carefully in order to use the vehicle in a proper and safe manner.

# Safe riding

## Pre-ride activities

Before riding the scooter make sure that:

- The charging plug is disconnected from the wall socket and the charging cable is secured in the trunk of the scooter.
- The battery is sufficiently charged.
- The lights, turn signals and horn function properly.
- The mirrors are adjusted for your convenience.
- The tyres have correct air pressure and proper tread depth.
- The brakes work properly.
- The brake fluid level is correct
- The brake pads and discs are not worn out.
- The handlebar turns fully left and right without resistance.

## Clothing

- Always wear a motorcycle helmet.
- Wear safe, tight-fitting and comfortable clothing.
- Wear proper boots (no high heels, flip-flops, or similar open footwear).

## Riding technique

- Always follow traffic regulations.
- Hold the handlebar with two hands.
- Take special caution when riding on wet surfaces, dirt, cobblestone, ice or snow.
- Do not use cell phones or other devices that may cause distraction while riding.

## Cargo and passengers

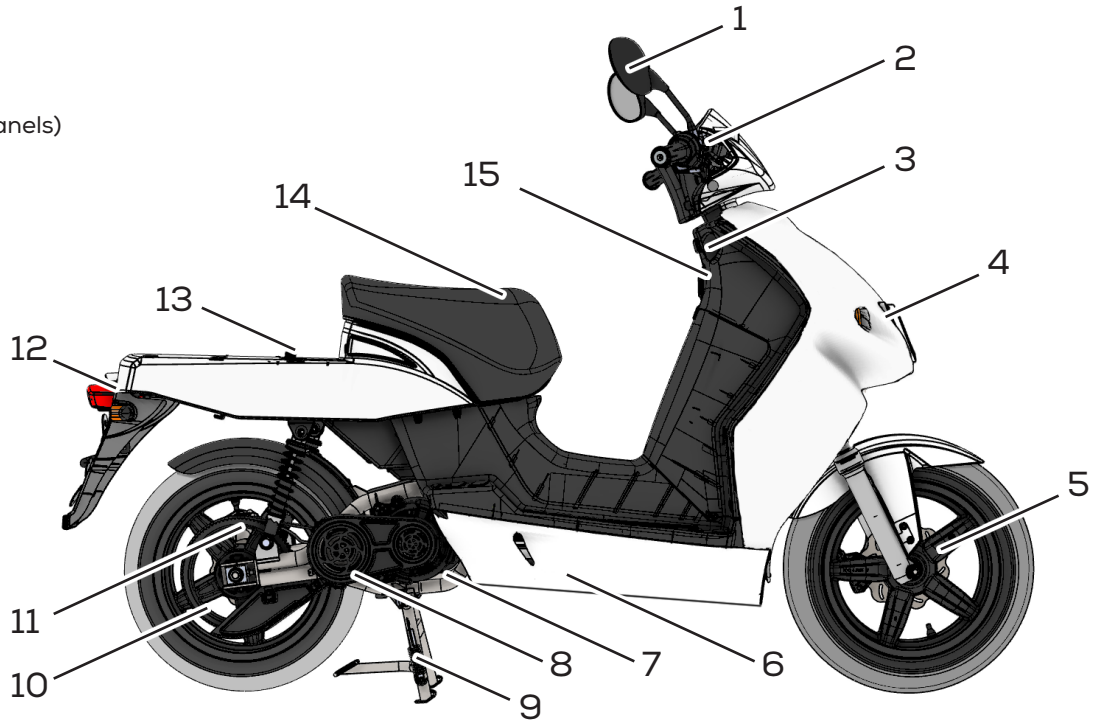
- Transport cargo only in the designated cargo box on the rear rack, in the trunk under the seat, or using the bag hook.
- The maximum allowed weight of the cargo box is 25 kg.
- The scooter is allowed to carry 1 person (up to 125kg).

## After riding

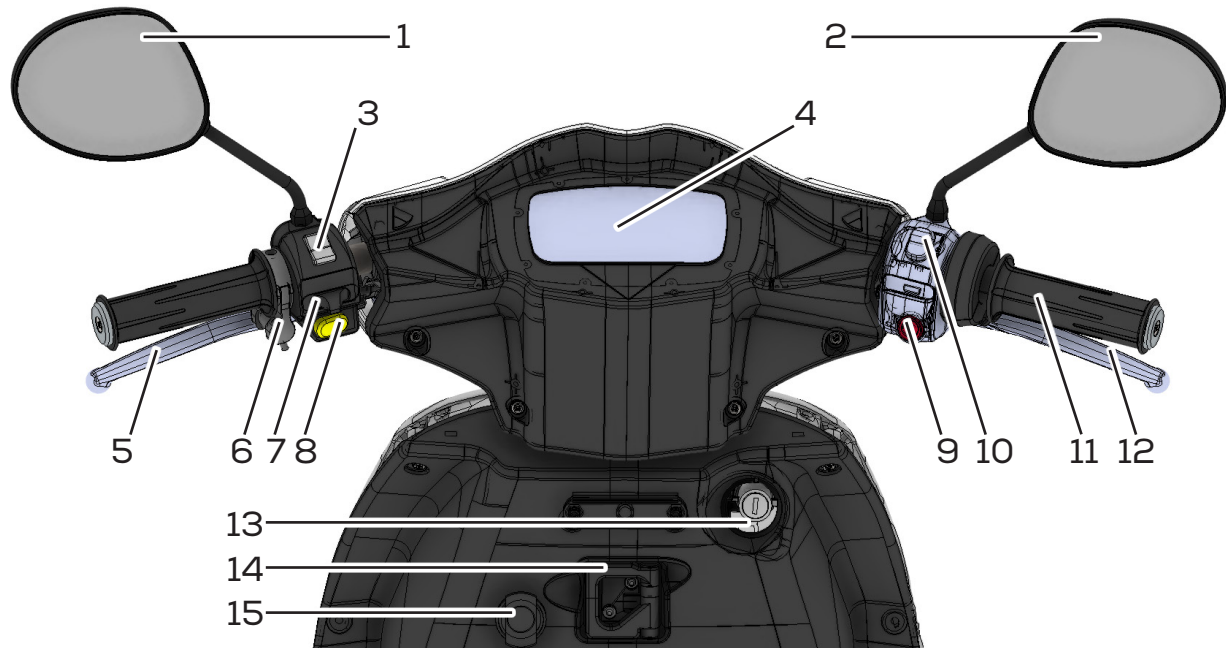
- Check if the battery needs charging.
- Leave the scooter in a place where it's safe from theft or vandalism and where it doesn't block the traffic.

# Main components

1. Mirrors
2. Steering
3. Ignition
4. Front light & turn signals
5. Front wheel and brake
6. Battery & charger (under panels)
7. Engine (under panels)
8. Belt 1<sup>st</sup> stage (under cover)
9. Centre stand
10. Rear wheel & brake
11. Belt 2<sup>nd</sup> stage
12. Rear light & turn signals
13. Cargo rack
14. Seat & trunk
15. Cargo hook & 12V Socket



# Steering elements



1. Left mirror

2. Right mirror

3. High/low beam

4. Display

5. Rear brake lever

6. Menu selector

7. Turn signals

8. Horn

9. GO button

10. Kill-switch

11. Throttle

12. Front brake lever

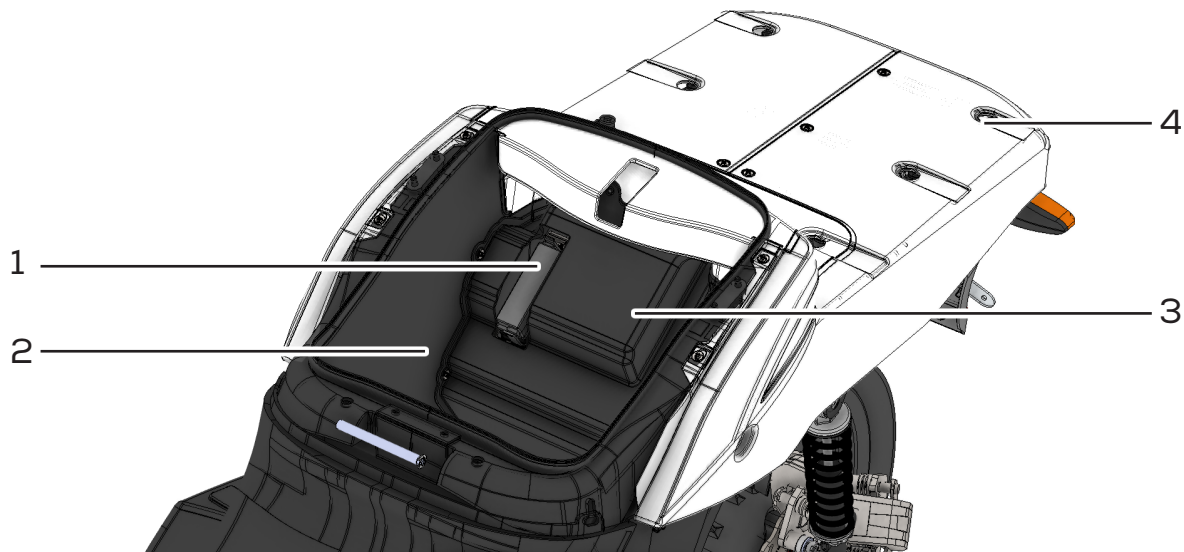
13. Ignition

14. Bag hook

15. 12V Socket



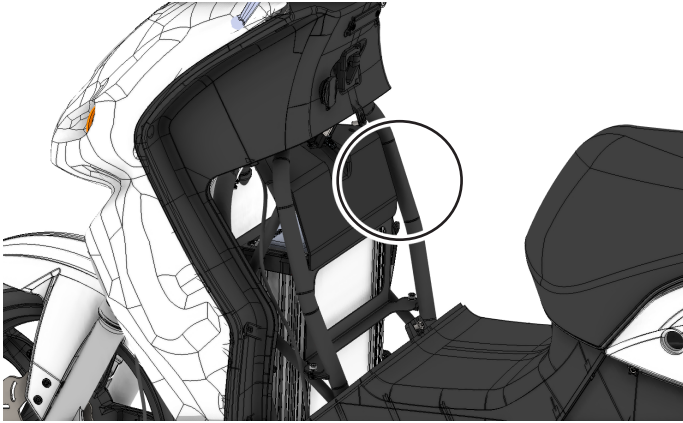
# Rear compartment



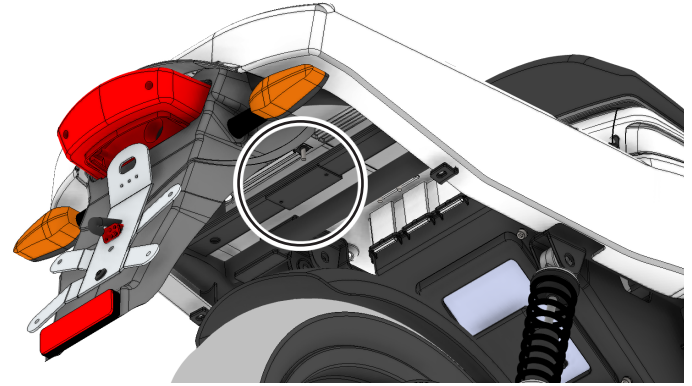
(here shown with the seat removed)

1. Fuses
2. Trunk
3. 12V battery (under cover)
4. Mounting points for the cargo rack (6 per scooter)

# VIN & statutory plate



The Vehicle Identification Number is located on the right side of the frame under the vertical panel.



The statutory plate is located below the cargo rack.

EN

# Left hand controllers

## High/low beam

- Switches the front light position.
- Only use the high beam according to traffic regulations.
- Be aware that the high beam can blind other drivers.

## Menu selector

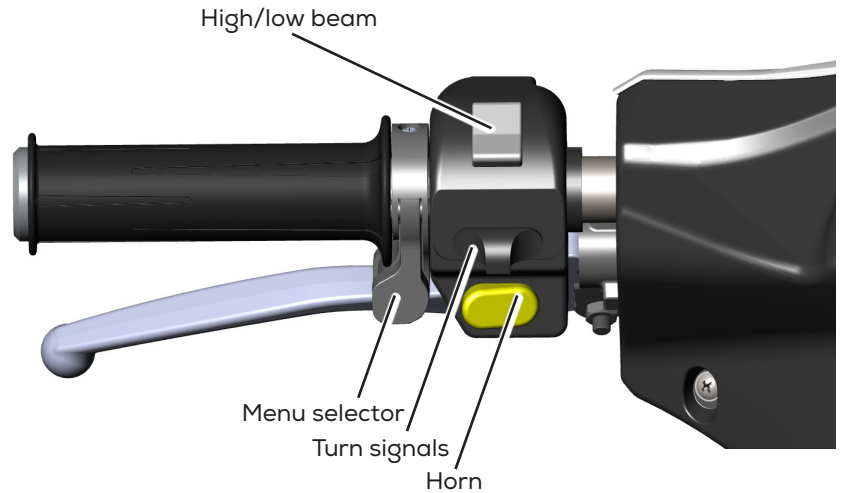
- Used for moving through the display menu.
- When riding, used to switch driving modes.

## Turn signals

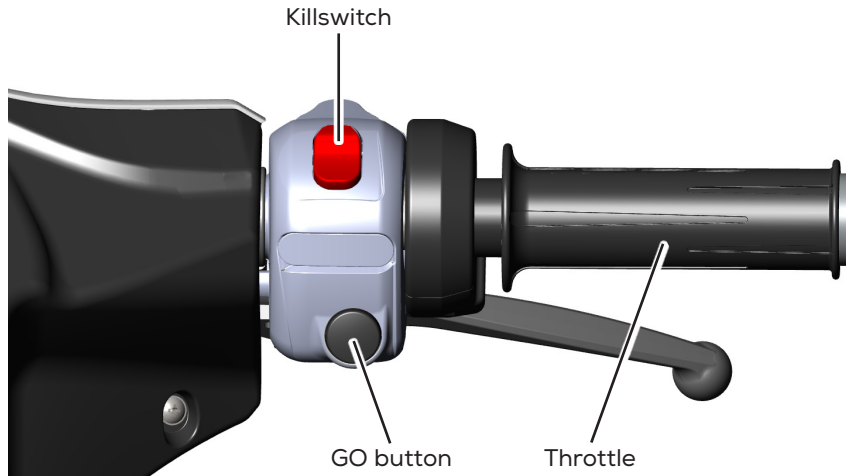
- Slide left or right to activate.
- Push to deactivate.

## Horn

- Only use the horn according to traffic regulations.
- Continuous use will damage the horn.



# Right hand controllers



## Kill-switch

- When engaged, prevents the vehicle from driving even with the ignition turned ON.
- Always engage it when parking.
- Disengage only when ready to ride.

## GO button

- Used to confirm selection in the display menu.
- Switches the drive data displayed when riding.

## Throttle

- Twist backward to accelerate.
- Release to decelerate (engine brake).
- Always obey traffic regulations and speed limits.



Never lift the scooter by the throttle grip.

Never put more than 20 kg of lateral force on the throttle grip.

When transporting the scooter, never tie or secure it by the throttle grip.

# Display - elements



The following indicators appear on the LCD Display.

# Display - data



The 4.4" LCD Display serves as the dashboard of the scooter and provides information and driving data to the user. Menu is operated with the Menu selector (Up/Down) and Confirm (Go) buttons located on the handlebar switches.

In addition, it serves as a communication device to the uDrive Connect app, which you can install on your smartphone.

## Driving modes

Switching between the driving modes is done with the Up and Down buttons. The following modes are available:

- **NEUTRAL** - the throttle is disabled and the engine is inactive.
- **GO** - economic mode with the most range.
- **CRUISE** - provides most acceleration and climbing ability.
- **CRAWL** (Forward and Back) - the slowest mode useful for parking and manoeuvring in tight spots.

The Boost mode is unavailable on the transport scooter.

## Driving data

Pressing the GO button switches the following types of data displayed on the screen:

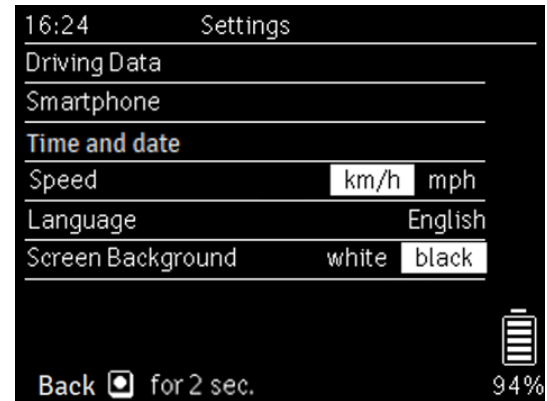
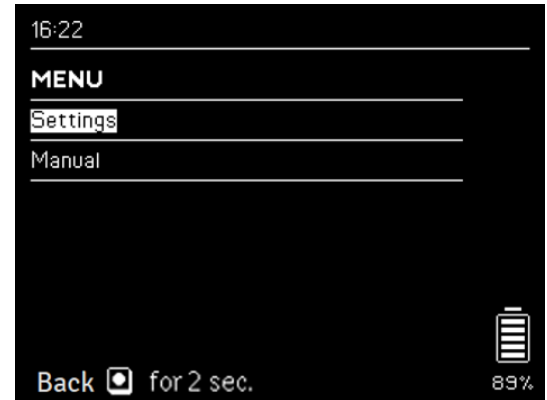
- Total km
- Daily km
- Daily driving time
- Average speed
- Average power consumption

# Display - settings

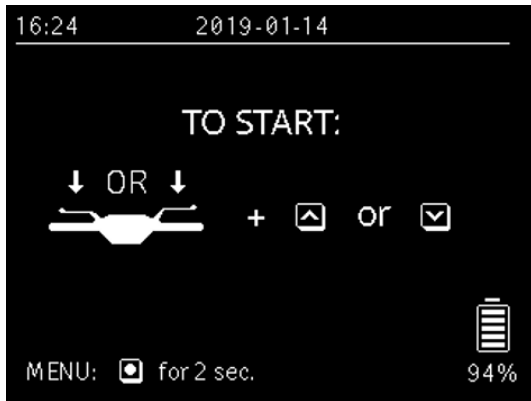
On the start screen or in NEUTRAL mode, holding the GO button for 2 seconds opens the settings menu.

The following options are available in the menu:

- **Manual** - brief instructions on how to operate the vehicle.
- **Driving data** - shows total km, daily km, daily driving time,  $\emptyset$  speed,  $\emptyset$  consumption. The RESET function sets the values to zero
- **Smartphone** - allows pairing the scooter with the user's phone via Bluetooth.  
A Bluetooth connection and the uDrive Connect app installed is necessary.
- **Time and date** - for changing the time, date and time format.
- **Speed** - switches between km/h and mph (miles per hour).
- **Language** - switches between available languages (current language options: English, German, Spanish, French and Italian).
- **Screen background** - switches between black and white.



# Starting up the scooter



start screen

## In order to start the scooter

- Make sure the battery is sufficiently charged (page 21).
- Put the centre stand up (page 17).
- Turn the ignition on (page 16).
- When the start screen appears, press either of the brake levers and Up or Down buttons on the Menu selector.
- Release the kill-switch (page 11).

EN



# Ignition

## Ignition turned ON (riding position)

- All the functions are active.
- Scooter is ready for riding.
- The key cannot be removed.

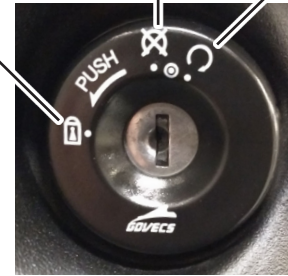
## Ignition turned OFF

- All functions are turned off.
- Handlebar is not locked.
- Scooter can be pushed.
- Scooter can be safely handled.
- The key can be removed.

## Handlebar locked

- All the functions are turned off.
- The handlebar is locked.
- Scooter can be safely handled.
- The key can be removed.

Handlebar locked    Ignition OFF    Ignition ON (riding position)



An electric vehicle makes no sound when turned on!

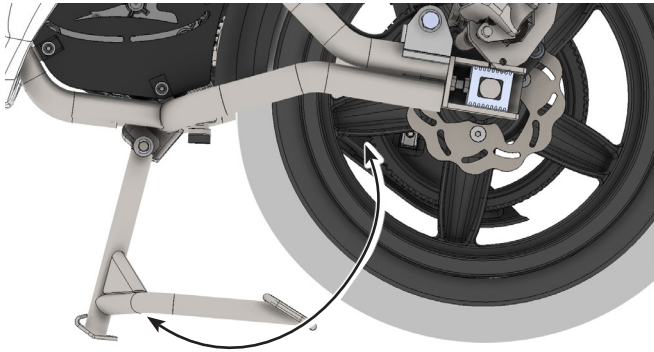
# Centre stand

## Getting the scooter off the stand

- Get the scooter off the stand before sitting on it.
- Grab the left handlebar grip and the cargo rack and push the scooter forward.
- The engine is disabled as long as the stand is down.

## Positioning the scooter on the stand

- To put the scooter on the stand, grab the left handlebar grip and push the stand down with your foot.
- Both legs of the stand must rest firmly on the ground.



Never lift the scooter by the throttle grip. Grab it only by the solid parts of handlebar or frame.

# Trunk & cargo rack

## Seat

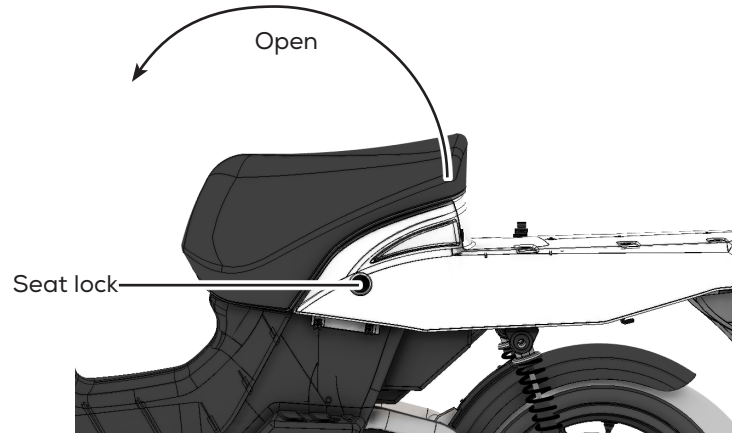
- Maximum load is 125 kg.

## Seat lock

- Unlock the seat with the ignition key.
- Open the seat forward.
- Never close the seat with the key inside!

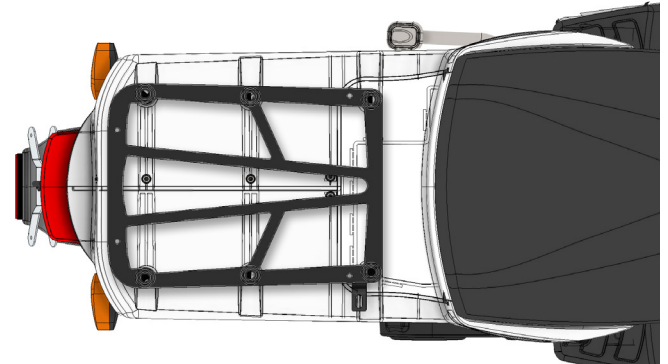
## Compartment under seat

- Maximum load is 5 kg.
- This compartment also houses the 12V battery and the fuses.

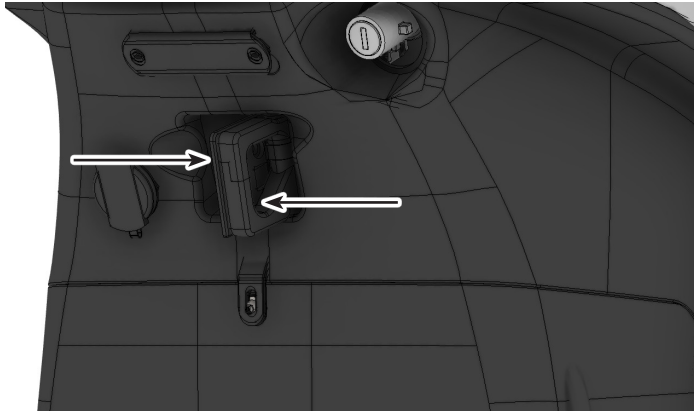


## Cargo rack

- Maximum load is 25 kg.
- Any type of box can be installed as long as it can be mounted without using a tool.



# Bag hook



## Using the bag hook

- The hook can be used to carry a small bag or other objects equipped with a strap
- To hang the bag, unclasp the hook in the directions shown in the picture.
- Do not hang weights exceeding 3 kg.



Never exceed the maximum weight or carry objects wider than the scooter.

EN

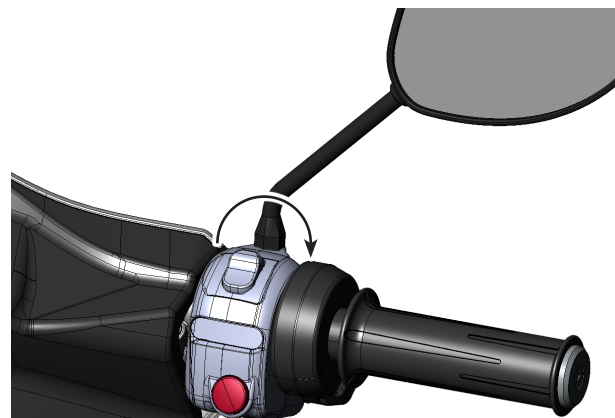
# Mirrors

## Adjusting the mirrors

- Loosen the nut at the base of the mirror with a 14 mm wrench.
- For the left mirror - turn the nut to the left.
- For the right mirror - turn the nut to the right.
- Rotate the mirror until you can clearly see the area behind the scooter.
- Make sure you have an unobstructed view of your surroundings, especially when the cargo box is installed.
- Secure the mirror nuts tightly with a wrench before riding.



Do not ride a scooter with a damaged or improperly adjusted mirror!



# Charging the battery

## General instructions

- The vehicle is equipped with an on-board charger.
- The charging cable is located inside the trunk.
- It can be used for E/F type 16A/240V electrical sockets.
- Do not plug more than 1 scooter to a single phase.
- Charging the battery is possible in temperatures above +5 °C.
- Charging can be interrupted at any time.

## Charging state

- Charging state is indicated by the LED on the display.
- Constant green light indicates charging in progress.
- No light indicates the charging is complete.

## Charging time

- Charging the scooter fully takes approximately 5 hours.
- Charging it to 50% takes approximately 1½ hours.
- It's impossible to overcharge the battery.

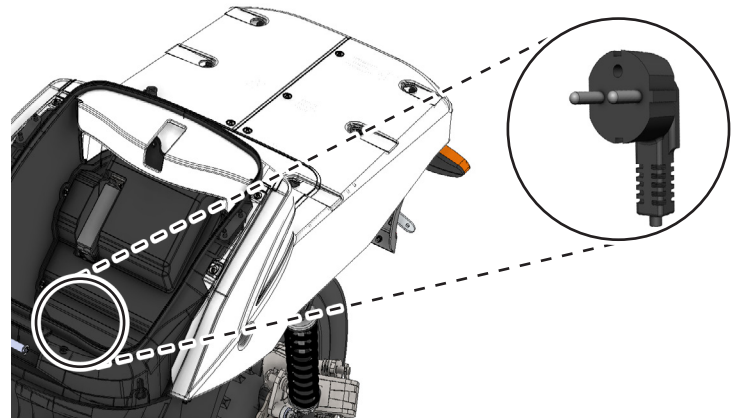
## Battery life

- Charge the battery every time it's significantly drained.
- Do not leave the battery empty for a prolonged time.
- When not in use, store the scooter according to the prolonged storage procedure (see page 28).

## Quick charge

- When charging, a quick charge mode can be selected via the display menu.
- We recommend only using the quick charge mode when you need the scooter operational as soon as possible.
- The quick charge mode may lower the battery life.

EN



Never bend, cut or step on the charging cable.  
A damaged cable must be replaced immediately!

# Fuses & 12V battery

## The 12V battery is located under the seat

- Remove the plastic cover to reach it.
- The 12V battery powers the vehicle's electronic systems when the scooter is inactive and is responsible for starting it up.
- The 12V battery charges from the main battery when the scooter is in use.
- Proper maintenance and not letting the main battery run out ensures that the 12V battery never discharges.
- If the 12V battery is discharged, it can be charged with an external 12V power source.
- Deeply discharged batteries (under 10 V) should be replaced.

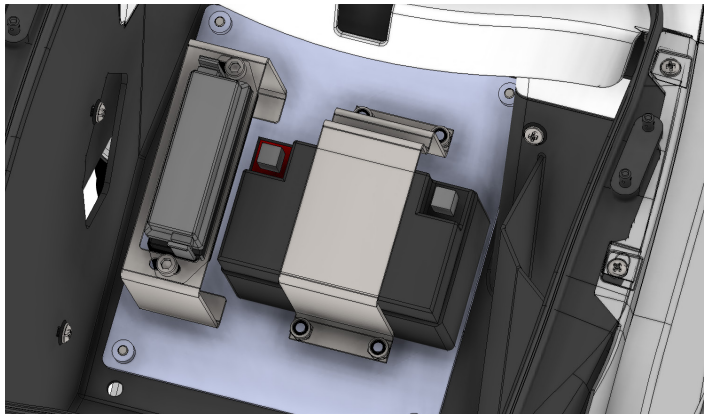
## The following fuses are also under the seat.

	Rating	Function
1	<b>20 A</b>	12V battery
2	<b>7.5 A</b>	Lights
3	<b>5 A</b>	Horn
4	<b>10 A</b>	12V Socket
5		slot unused
6		slot unused
7	<b>7.5 A</b>	DC/DC Converter
8	<b>30 A</b>	Charger

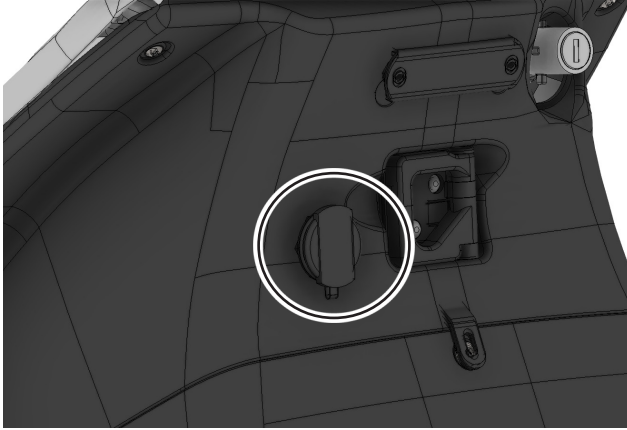


## Safety precautions

- Turn the scooter off before replacing the fuses.
- Replace blown fuses only with proper automotive fuses of the rating provided in the table above.
- Make sure the fuse properly fits the fuse holder.
- When charging the battery, mind the POSITIVE (red) and NEGATIVE (black) connectors. Connect the POSITIVE first, then NEGATIVE. When finished, disconnect NEGATIVE first, then POSITIVE.
- Repeated problems with the fuses and the 12V battery may indicate serious electrical malfunction. Contact an authorised service centre for diagnostics and repairs.



# 12V socket



## 12V lighter socket

- The socket can be used to charge small electronic devices such as phones, music players, or GPS devices.
- When using an external device, make sure it's safely attached to the scooter or the driver and won't fall off while riding.
- Do not use high-power devices such as heaters.



Do not exceed 180W of power output.

EN



# Lights

The scooter is equipped with the following lights:

## Front lights

- Headlight (high/low beam)
- Position light
- Indicators

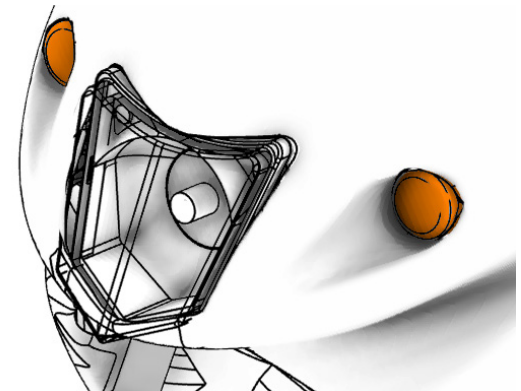
## Rear lights

- Brake light
- Position light
- Indicators

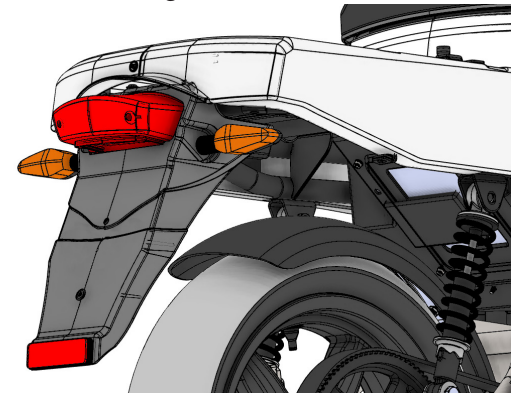
## Light bulbs used

Front light	H4 12V 35W
Position light	W3W 12V 3W
Rear light	LED 12V
Brake light	LED 12V
Indicators	LED 12V
Number plate	LED 12V

The LED energy-saving diodes used on the scooter do not need regular replacement. In case of damaged LED lights, contact an authorised service station for repairs.

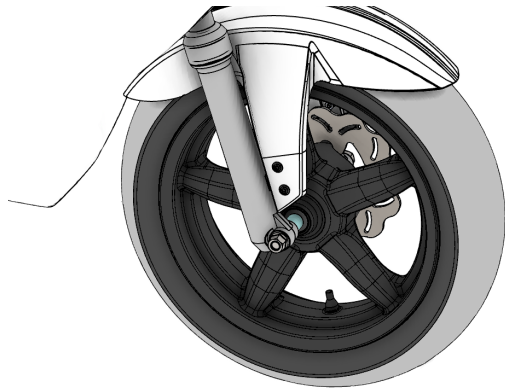


front lights

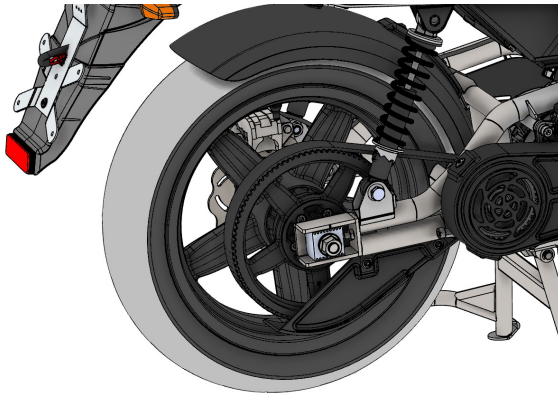


rear lights

# Tyres



front wheel



rear wheel

## Tyre types

The vehicle comes equipped with all-season 130/60 R13 tyres with an option for 120/70 R13.

## Tyre pressure

Tyre	Without load	With load
Front	2.2 bar	2.2 bar
Rear	2.2 bar	2.5 bar

EN

## Checking air pressure

- Before riding, check the tyres for damage and possible loss of inflation.
- Pressure should be checked weekly and after longer downtime.
- Low air pressure or worn out tyres have negative impact on the scooter's performance and range.

## Damaged tyres

- The minimal safe tread depth is 2 mm.
- Damaged tyres must be replaced as soon as possible using a tyre recommended by GOVECS.
- Tyres should never be repaired. Once damaged they are no longer safe for use.

# Brakes

The braking system is critical for the safety of the vehicle. For personal safety one should take care of its condition.

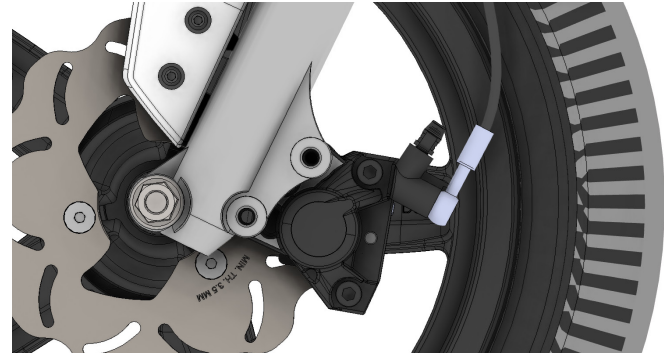
## Inspect your brakes on a regular basis

- Check the brake fluid level.
- Inspect the brake cables for leaks.
- Confirm the brake pads thickness is above 2 mm.
- Confirm the brake discs thickness is above 3 mm.
- Do a performance check.

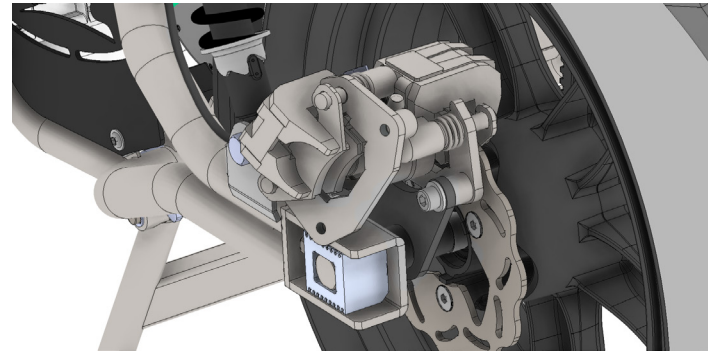
To check the brake performance, push the scooter for several meters. While pushing, press the front brake and then the rear brake one at a time. You should not be able to move the vehicle with the brakes engaged. Hold the handlebar firmly to prevent the scooter from falling over.



Brake maintenance and repair should be performed only by authorised service centers.



front brake



rear brake

# Brake fluid level

## Checking the brake fluid level

The brake fluid level should be checked before each ride.

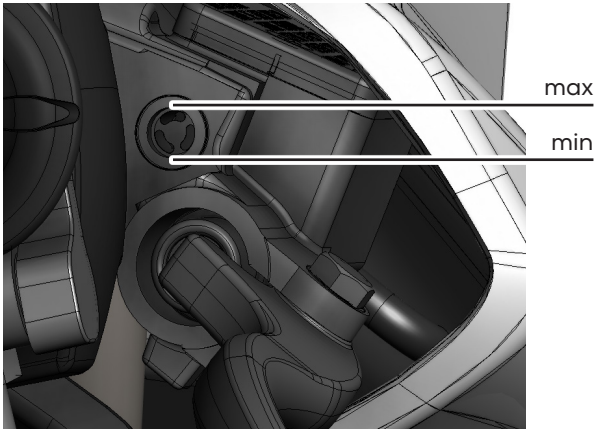
In order to do it:

- Position the scooter on the center stand on even ground.
- Turn the handlebar to the left.
- Check the level on the side-glass behind the right reservoir behind the brake lever.
- Repeat it with the left reservoir.
- The brake fluid must fit between the upper and lower edge of the side-glass.

No fluid in the side-glass means damage to the brake system.



In case of damage to the brake system, the scooter should not be used. Contact an authorised service centre for repairs.



# Taking care of the vehicle

## Cleaning

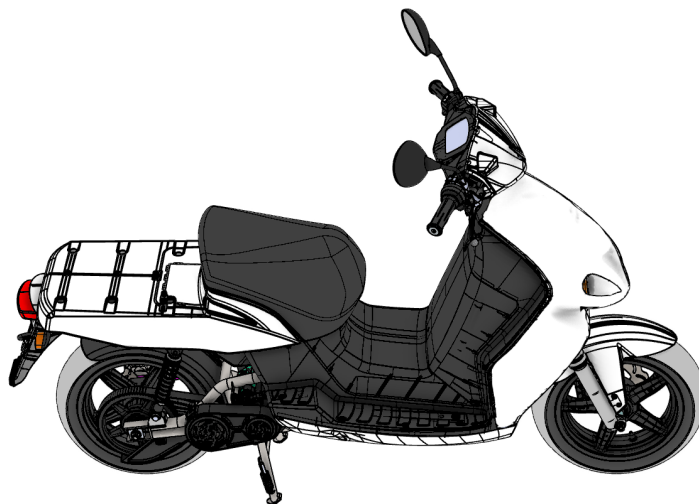
- Turn the scooter off before cleaning.
- Clean the vehicle with a sponge and clean water.
- Do not use hard sponges or brushes that may scratch the panels and other delicate components.
- Clean varnished elements with dedicated cleansers only.
- Clean plastic panels with dedicated cleansers only.
- Do not use anti-corrosive cleansers on the brake system, varnished parts, or plastic panels.
- Never clean the scooter with a high-pressure washer, especially near electronic components.

## Storage

- Store the vehicle where it's safe from harsh weather conditions such as rain, snow, pollution and high humidity.
- When parked outdoor, protect the vehicle with a breathable cover. Covers made of synthetic fibres may cause water condensation on the scooter which leads to corrosion.
- For prolonged storage (i.e. overwinter), we recommend charging the battery and then removing the 12V battery fuse (20 A) - see 'Fuses & 12V battery' (page 22). Every 3 months place the fuse back, charge the battery if necessary and leave the 12V battery fuse in for at least 24 hours.

## Maintenance

- Follow the recommended pre-ride check-up (page 5).
- Mind the recommended maintenance schedule (page 30).
- Contact an authorised service station for maintenance.
- Do not make unauthorised modifications to the vehicle.



# Specification sheet

Vehicle name	GOVECS PRO CARGO	
Vehicle category	L1e	L3e
Length	1940 mm	
Width	750 mm	
Height	1165 mm (without mirrors)	
Weight	129 kg (2 batteries)	129 kg
	115 kg (1 battery)	
Top speed	45km/h or 25km/h	65 km/h
Tyre type	All-season 130/60 R13	
	(optional) 120/70 R13	
Tyre pressure	Front: 2.2 bar	
	Rear: 2.2 bar (2.5 bar with load)	
Display	4,4" Bosch LCD Display	
Engine	Bosch Drive Unit 48V	
Battery	2.4 kWh Lithium batteries	
Charger	1200 W On-board charger	
Charging time	100% approximately 5 hours	
	50% in approximately 1½ hour	
Passengers	0 (only the driver)	

Range	109 km (45 km/h, 2 batteries)	96 km
	56 km (45 km/h, 1 battery)	
	150 km (25 km/h, 2 batteries)	
	66 km (25 km/h, 1 battery)	
Belt tension	1 <sup>st</sup> stage: 130 (+20/-0) Hz	
	2 <sup>nd</sup> stage: 100 (+20/-0) Hz	
Brake type	Hydraulic disc brakes	CBS
Brake fluid	DOT 4	
Lights	Front light: H4 12V 35W	
	Position light: W3W 12V 3W	
	Rear light: LED 12V	
	Brake light: LED 12V	
	Indicators: LED 12V	
	Number plate: LED 12V	
Cargo rack load	Max. 25 kg	
Seat load	Max. 125 kg	
Compartment under seat	Max. 5 kg	

EN

# Maintenance schedule

For your safety and to prolong the vehicle's life, follow the maintenance schedule.

Items	Frequency x1000 km	Mileage														
		0,5	3,5	7,0	10,5	14,0	17,5	21,0	24,5	28,0	31,5	35,0	38,5	42,0		
1 Drive sprockets	Inspect every 3.500km	I	I	I	I	I	I	R	I	I	I	I	I	R	Replace if damaged	
2 Drive eccentric cam	Inspect every 3.500km	I	I	I	I	I	I	I	I	I	I	I	I	I	Replace copper grease every 3.500 km	
3 Front/rear tires	Inspect every 3.500km	Replace if the depth is less than 2mm														Replace if damaged
4 Front/rear brake pads	Inspect every 3.500km	Replace if the pads thickness is less than 2mm														Replace if damaged
5 Brake discs rear/front	Inspect every 3.500km	Replace if the disc thickness is less than 3mm														Replace if damaged
6 Drive belts	Inspect every 3.500km	I	I	I	R	I	I	R	I	I	R	I	I	R	Replace every 10,500 km	
7 Brake fluid	Inspect every 3.500km	I	I	I	I	I	I	I	I	I	I	I	R	I	Replace every 2 years or every 40.000 km	
8 Front/Rear wheel bearings	Inspect every 3.500km	I	I	I	I	I	R	I	I	I	I	R	I	I	Replace if damaged	
9 Steering head bearings	Inspect every 3.500km	I	I	I	I	I	R	I	I	I	I	R	I	I	Replace if damaged	
10 Rear shock absorber	Inspect every 3.500km	I	I	I	I	I	I	I	I	I	I	I	I	I	Replace if damaged	
11 Front fork	Inspect every 3.500km	I	I	I	I	I	I	I	I	I	I	I	I	I	Replace if damaged	
12 Centre stand	Inspect and lubricate every 3.500km	I	I	I	I	I	I	I	I	I	I	I	I	I	Replace if damaged	
13 Throttle	Inspect every 3.500km	I	I	I	I	I	I	I	I	I	I	I	I	I	Replace if damaged or sticky	
14 Lighting	Inspect every 3.500km	I	I	I	I	I	I	I	I	I	I	I	I	I	Replace if damaged	
15 Seat/seat lock	Inspect every 3.500km	I	I	I	I	I	I	I	I	I	I	I	I	I	Replace if damaged	
16 Critical screws/nuts	Inspect every 3.500km	I	I	I	I	I	I	I	I	I	I	I	I	I	Replace if damaged	
17 Battery terminals ("+" , "-" ) torque confirmation	Inspect every 3.500 km	I	I	I	I	I	I	I	I	I	I	I	I	I	POSITIVE:15Nm, NEGATIVE: 9 Nm	
18 Motor screws/terminals torque confirmation	Inspect every 3.500 km	I	I	I	I	I	I	I	I	I	I	I	I	I	20 Nm	

**NOTE:** I - inspect (clean, adjust, lubricate if necessary) R - replace



Contact an authorised service centre for inspection. Do not attempt to repair the scooter on your own.

Not following the maintenance schedule will void warranty. Every inspection needs to be documented.

# Service booklet

---

VIN: \_\_\_\_\_

Planned inspection	Actual mileage	Date	Next inspection	Signature	Stamp
500 km					
3500 km					
7000 km					
10500 km					

EN



# Service booklet

Planned inspection	Actual mileage	Date	Next inspection	Signature	Stamp
14000 km					
17500 km					
21000 km					
24500 km					

EN

# Service booklet

Planned inspection	Actual mileage	Date	Next inspection	Signature	Stamp
28000 km					
315000 km					
35000 km					
42000 km					

EN

# Contact

---

## **GOVECS AG**

Bavariafilmplatz 7, Geb. 3a  
82031 Grünwald  
Germany

EN



[www.govecsgroup.com](http://www.govecsgroup.com)

Service Hotline: +49 800 788 788 30  
[service@govecs.com](mailto:service@govecs.com)

Online-Shop: [www.govecs-scooter.com](http://www.govecs-scooter.com)

# Version history

---

## v 1.1

- first release

## v 1.2

- updated company logo
- changed product name (Govecs GO!T is now Govecs PRO CARGO)
- added L3e data (page 29)
- updated torque values for battery cables (9>15 Nm; 5>9 Nm) - page 30

## v 1.3

- corrected max. loading capacity values
- corrected belt tension values in specification sheet

## v 1.3.1

- updated address and contact information



# Inhaltsverzeichnis

## Grundinformation

Einführung .....	38
Modellinformation .....	39
Sicherheit .....	40
Sicher fahren .....	41

## Überblick über das Fahrzeug

Hauptkomponenten .....	42
Lenkelemente .....	43
Hinteres Staufach .....	44
Fahrgestellnummer und Typenschild .....	45

## Bedienelemente

Linke Steuerelemente .....	46
Rechte Steuerelemente .....	47
Display – Elemente .....	48
Display – Daten .....	49
Display – Einstellungen .....	50
Rollers starten .....	51
Zündung .....	52

## Außenteile

Mittelständer .....	53
Staubox und Gepäckträger .....	54
Taschenhaken .....	55
Spiegel .....	56

## Electrik

Batterie aufladen .....	57
Sicherungen und 12-V-Batterie .....	58
12-V-Steckdose .....	59

## Sicherheitsausrüstung

Beleuchtung .....	60
Reifen .....	61
Bremsen .....	62
Bremsflüssigkeitsstand .....	63

## Bedienungsanleitung

Fahrzeugpflege .....	64
----------------------	----

## Technische Daten

Technisches Datenblatt .....	65
Wartungszeitplan .....	66
Wartungsbuch .....	67

## Anmerkungen zum Abschluss

Kontakt .....	70
---------------	----

DE



## **Sehr geehrter Benutzer eines GOVECS-Rollers,**

wir freuen uns sehr, dass Sie sich für einen Roller von GOVECS entschieden haben, und begrüßen Sie herzlich im großen Kreis der GOVECS-Fahrer.

Dieses Handbuch enthält wichtige Hinweise zur richtigen Handhabung, Pflege und Wartung Ihres GOVECS-Rollers. Zu Ihrer Sicherheit und zur Gewährleistung eines komfortablen Fahrerlebnisses empfehlen wir Ihnen, dieses Handbuch vor der ersten Fahrt sorgfältig durchzulesen.

Eine ordnungsgemäße Wartung des Rollers, die Beachtung aller in diesem Handbuch enthaltenen Anweisungen und der Besuch von GOVECS-Servicestationen für regelmäßige Inspektionen werden Ihren Roller immer einwandfrei in Schuss halten.

**Wir wünschen Ihnen eine gute und unfallfreie Fahrt!**

# Modellinformation

Dieses Handbuch gilt für den Roller GOVECS PRO CARGO, Modell 2019, ausgestattet mit dem LEM- (Light Electric Mobility) System von Bosch.



DE



## Machen Sie sich zu Ihrer eigenen Sicherheit bitte mit folgenden Anweisungen vertraut:



Wann immer dieses Symbol in der Bedienungsanleitung erscheint, weist es auf eine Situation hin, in der die Nichtbeachtung der Anweisungen zu Schäden am Roller oder zu Verletzungen führen kann.



Die in GOVECS-Rollern eingebauten Batterien unterliegen dem Recycling gemäß der Richtlinie 2006/66/EG des Europäischen Parlaments und des Europäischen Rates vom 6. September 2006 über Batterien und Akkumulatoren sowie Altbatterien und Alttakkumulatoren, welche die vorherige Richtlinie 91/157/EWG ersetzt. Beschädigte, abgenutzte und defekte Batterien müssen an eine vom Hersteller autorisierte GOVECS-Servicestation oder eine Sammelstelle übergeben werden.

- Dieses Fahrzeug darf in der Europäischen Gemeinschaft auf öffentlichen Straßen gefahren werden. Die örtlichen Vorschriften bezüglich Altersbeschränkungen, Führerschein usw. sind zu beachten.
- Der Roller ist für den Einsatz auf befestigten Straßen konzipiert. Er sollte nicht im Gelände verwendet werden.
- Er ist für optimale Leistung bei einer Umgebungstemperatur von +5 bis +35 °C ausgelegt. Ein Betrieb mit reduzierter Leistung ist bei einer Umgebungstemperatur von -7,5 bis +40 °C möglich.
- Eine Demontage der Batterien ist nicht zulässig.
- Alle Reparaturen am Roller sollten von einem autorisierten Servicezentrum durchgeführt werden.
- GOVECS übernimmt keine Verantwortung für unsachgemäßen Gebrauch des Rollers.
- Wir empfehlen jedem Benutzer, diese Anleitung sorgfältig zu lesen, um das Fahrzeug ordnungsgemäß und sicher benutzen zu können.

## Tätigkeiten vor Fahrantritt

Vor Antritt der Fahrt vergewissern Sie sich bitte immer von Folgendem:

- Der Ladestecker ist aus der Steckdose gezogen und das Ladekabel ist im Staufach des Rollers gesichert.
- Die Batterie ist ausreichend geladen.
- Beleuchtung, Blinker und Hupe funktionieren korrekt.
- Beide Spiegel sind richtig auf Sie eingestellt.
- Der Reifendruck ist korrekt und das Reifenprofil ist ausreichend.
- Die Bremsen funktionieren einwandfrei.
- Der Bremsflüssigkeitsstand stimmt.
- Die Bremsbacken und -scheiben sind nicht abgenutzt.
- Der Lenker lässt sich widerstandslos ganz nach links und rechts bewegen.

## Kleidung

- Tragen Sie immer einen Motorradhelm.
- Die Kleidung sollte anliegend und bequem sein.
- Tragen Sie immer geeignetes Schuhwerk (keine Absatzschuhe, Sandalen, offenen Schuhe usw.).

## Fahrtechnik

- Befolgen Sie immer die Verkehrsregeln.
- Halten Sie den Lenker mit beiden Händen.
- Seien Sie besonders vorsichtig, wenn Sie auf nassen Oberflächen, Schmutz, Kopfsteinpflaster, Eis oder Schnee fahren.
- Verwenden Sie keine Mobiltelefone oder anderen Geräte, die während der Fahrt ablenken.

## Beladung und Passagiere

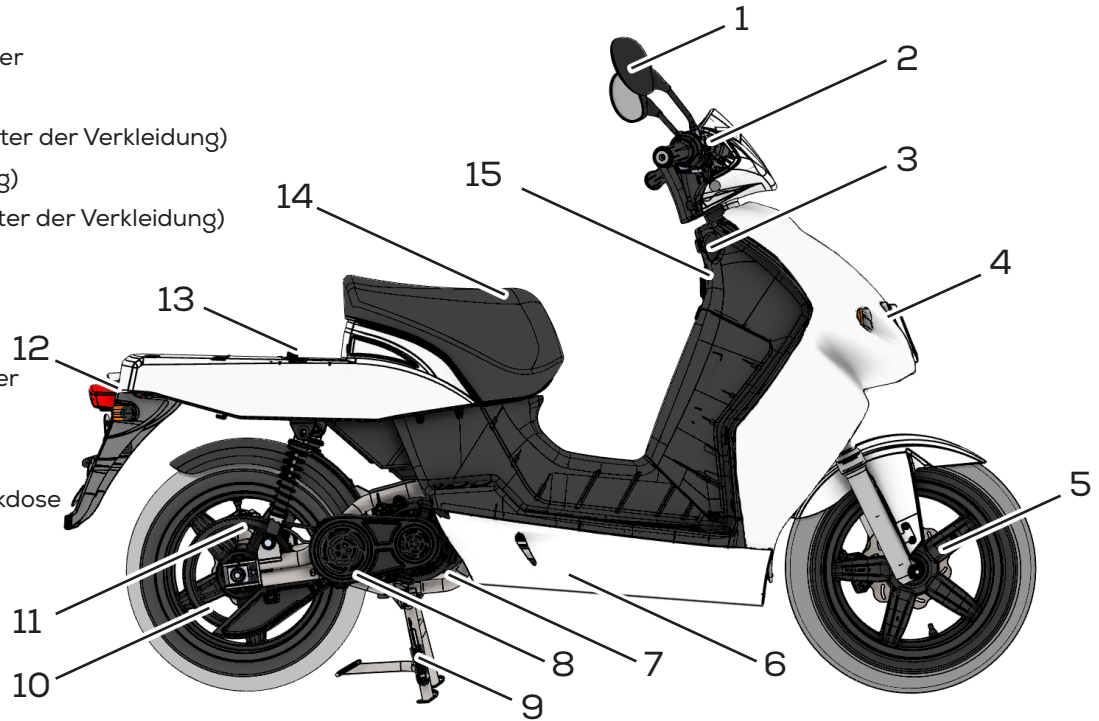
- Transportieren Sie Ladung nur in der dafür vorgesehenen Ladebox auf dem Gepäckträger, im Stauraum unter dem Sitz oder am Taschenhaken.
- Das maximal zulässige Gewicht der Ladebox beträgt 25 kg.
- Der Roller ist nur für 1 Person zugelassen (maximal 125kg)

## Nach der Fahrt

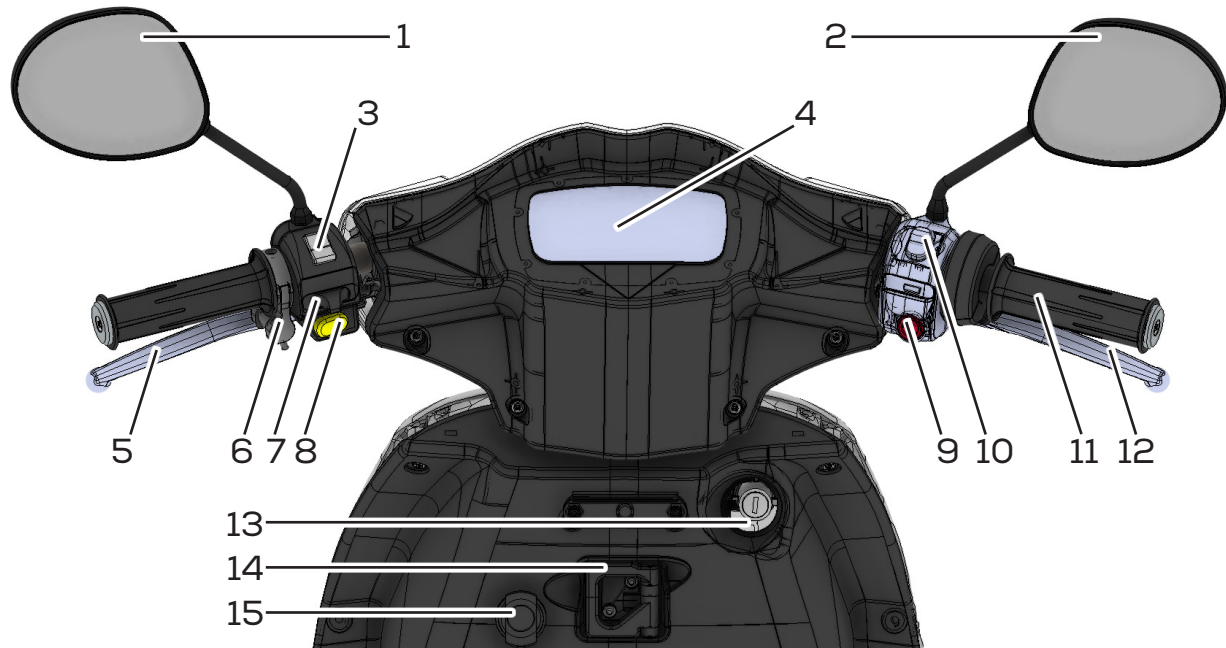
- Prüfen Sie, ob die Batterie aufgeladen werden muss.
- Stellen Sie den Roller an einem Ort ab, an dem er vor Diebstahl und Vandalismus geschützt ist und den Verkehr nicht behindert.

# Hauptkomponenten

1. Spiegel
2. Steuerung
3. Zündung
4. Frontlicht und vordere Blinker
5. Vorderrad und Bremse
6. Batterie und Ladegerät (unter der Verkleidung)
7. Motor (unter der Verkleidung)
8. Antriebsriemen 1. Stufe (unter der Verkleidung)
9. Mittelständer
10. Hinterrad und Bremse
11. Antriebsriemen 2. Stufe
12. Rücklicht und hintere Blinker
13. Gepäckträger
14. Sitz und Staubox
15. Ladehaken und 12-V-Steckdose



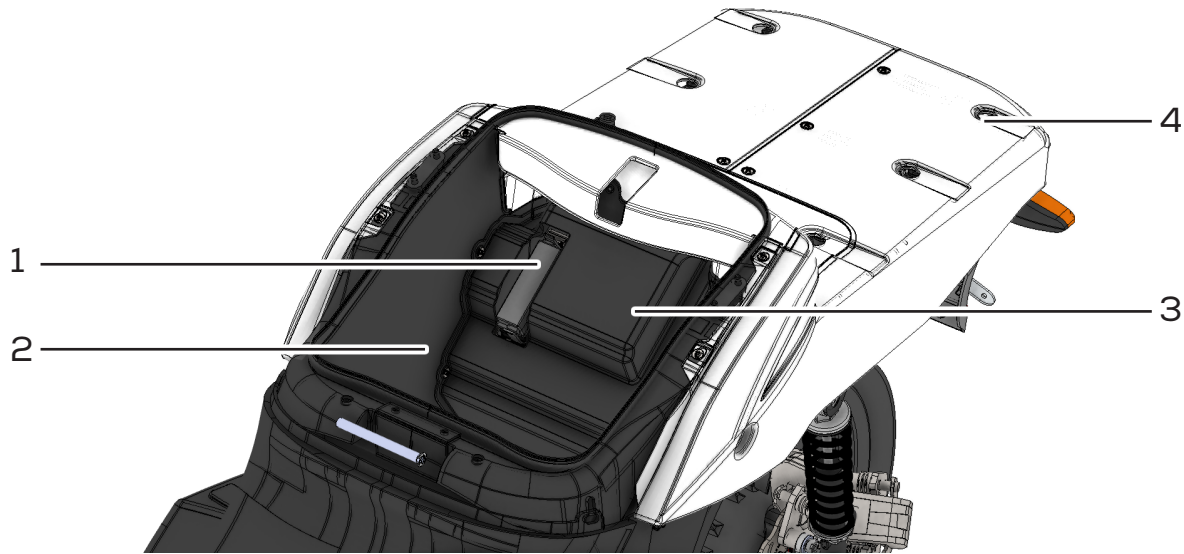
# Lenkelemente



DE

- |                          |                          |                          |                    |
|--------------------------|--------------------------|--------------------------|--------------------|
| 1. Linker Spiegel        | 5. Bremshebel für hinten | 9. GO-Taste              | 13. Zündung        |
| 2. Rechter Spiegel       | 6. Menüwahltaste         | 10. Ausschalter          | 14. Taschenhaken   |
| 3. Auf- und Abblendlicht | 7. Blinker               | 11. Gasgriff             | 15. 12-V-Steckdose |
| 4. Display               | 8. Hupe                  | 12. Bremshebel für vorne |                    |

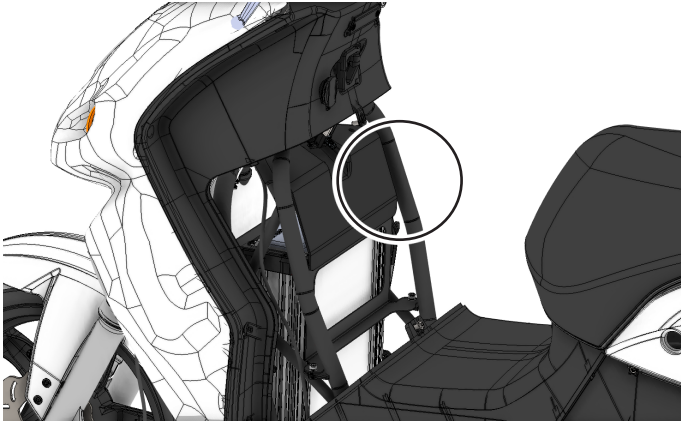
# Hinteres Staufach



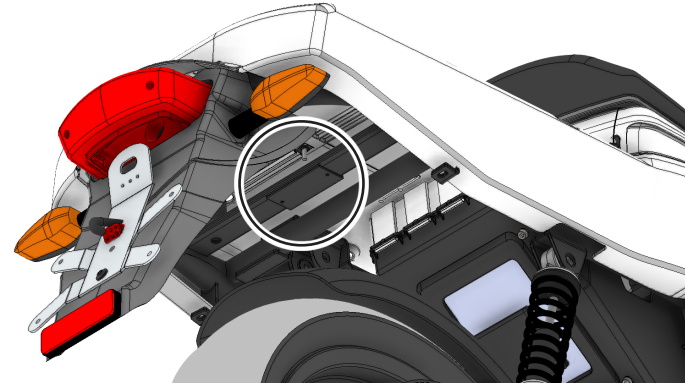
(Hier bei abgenommenem Sitz dargestellt)

1. Sicherungen
2. Staufach
3. 12-V-Batterie (unter der Abdeckung)
4. Befestigungspunkte für den Gepäckträger (6 pro Roller)

# Fahrgestellnummer und Typenschild



Die Fahrgestellnummer befindet sich auf der rechten Seite des Rahmens unter der vertikalen Verkleidung.



Das Typenschild befindet sich unter dem Gepäckträger.

DE

## Auf- und Abblendlicht

- Schaltet die Position des Frontlichts um.
- Verwenden Sie das Fernlicht nur gemäß der Straßenverkehrsordnung.
- Beachten Sie, dass das Fernlicht andere Fahrer blenden kann.

## Menüwahltaste

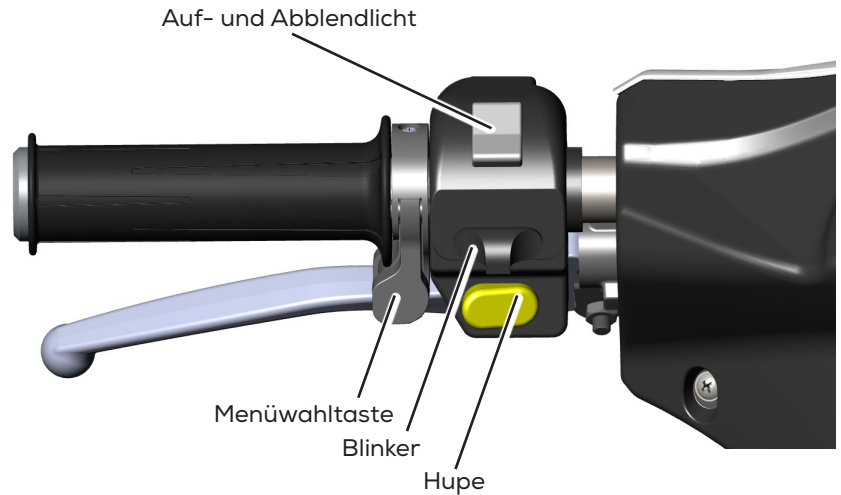
- Wird verwendet, um durch das Anzeigemenü zu navigieren.
- Dient während der Fahrt zum Wechseln des Fahrmodus.

## Blinker

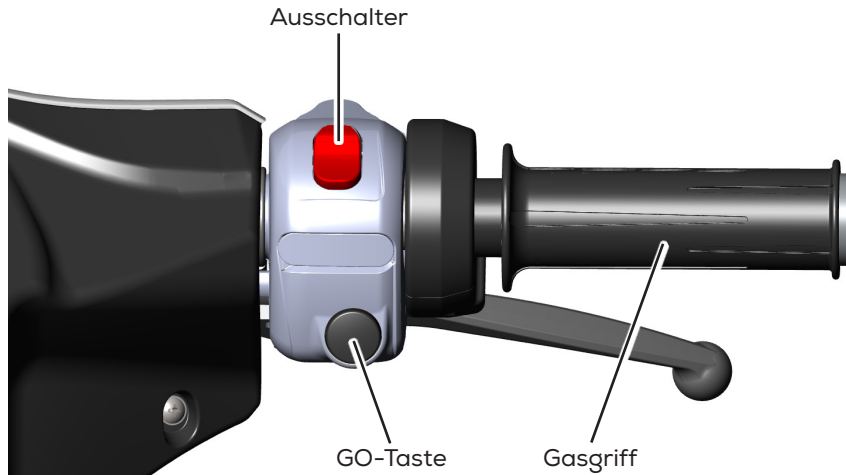
- Zum Aktivieren nach links oder rechts schieben.
- Zum Deaktivieren eindrücken.

## Hupe

- Verwenden Sie die Hupe nur gemäß der Straßenverkehrsordnung.
- Bei längerem Gebrauch wird die Hupe beschädigt.



# Rechte Steuerelemente



## Ausschalter

- Verhindert im Einschaltzustand das Fahren selbst bei eingeschalteter Zündung.
- Schalten Sie ihn beim Parken immer ein.
- Erst ausschalten, wenn Sie fahrbereit sind.

## GO-Taste

- Dient zur Bestätigung der Auswahl im Anzeigemenü.
- Schaltet die während der Fahrt angezeigten Fahrangaben um.

## Gasgriff

- Zum Beschleunigen nach hinten drehen.
- Zum Abbremsen loslassen (Motorbremse).
- Beachten Sie immer die Verkehrsregeln und Geschwindigkeitsbegrenzungen.

Heben Sie den Roller niemals am Gasgriff an.



Üben Sie niemals mehr als 20 kg Seitenkraft auf den Gasgriff aus.

Wenn Sie den Roller transportieren, binden oder sichern Sie ihn niemals am Gasgriff.



# Display – Elemente



Die folgenden Anzeigen erscheinen am LCD-Display.

# Display – Daten



Das 4,4-Zoll-LCD-Display dient als Armaturenbrett des Rollers und stellt dem Benutzer Informationen und Fahrdaten zur Verfügung. Das Menü wird mit den Tasten Menüauswahl (Auf/Ab) und Bestätigen (Go) an den Lenkerschaltern bedient.

Darüber hinaus dient es als Kommunikationsgerät mit der App uDrive Connect, die Sie auf Ihrem Smartphone installieren können.

## Fahrmodi

Die Umschaltung zwischen den Fahrmodi erfolgt mit den Tasten Auf und Ab. Die folgenden Modi stehen zur Verfügung:

- **NEUTRAL** – der Gasgriff ist deaktiviert und der Motor inaktiv.
- **GO** – Öko-Modus mit der größten Reichweite.
- **CRUISE** – bietet die besten Beschleunigungs- und Steigfähigkeiten.
- **CRAWL** (vorwärts und rückwärts) – der langsamste Modus, zum Parken und Manövrieren in engen Situationen.

Der Boost-Modus ist am Transportroller nicht verfügbar.

## Fahrdaten

Wenn Sie die GO-Taste drücken, werden die folgenden Daten am Display angezeigt:

- Gesamtkilometer
- Tageskilometer
- Tagesfahrzeit
- Durchschnittsgeschwindigkeit
- Mittlerer Stromverbrauch

# Display – Einstellungen

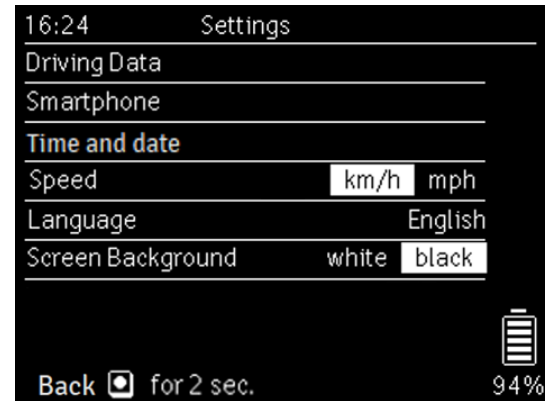
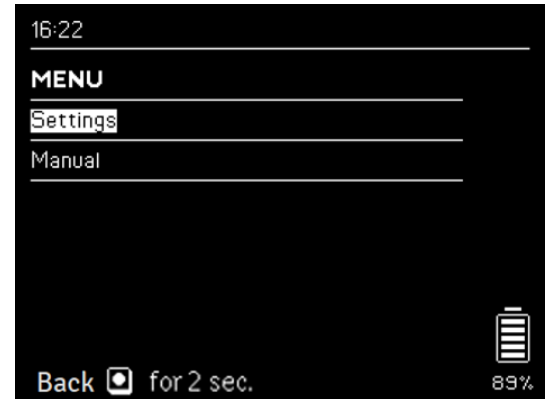
Wenn Sie am Startbildschirm oder im NEUTRAL-Modus die GO-Taste 2 Sekunden lang gedrückt halten, wird das Einstellungs-menü geöffnet.

Die folgenden Optionen sind im Menü verfügbar:

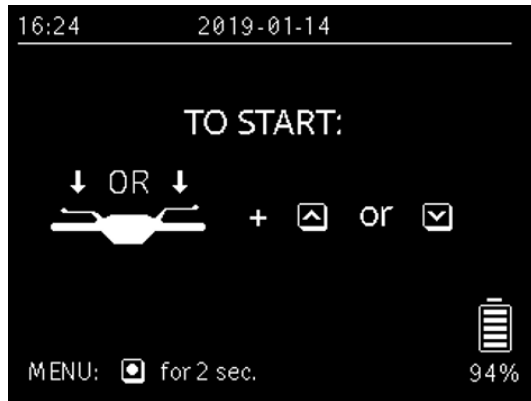
- **Handbuch** – eine kurze Anleitung zur Bedienung des Rollers.
- **Fahrdaten** – zeigt die Gesamtkilometer, Tageskilometer, Tagesfahrzeit, mittlere Geschwindigkeit und den mittleren Verbrauch an. Die Funktion RESET setzt die Werte auf Null.
- **Smartphone** – ermöglicht die Kopplung des Rollers mit dem Mobiltelefon des Benutzers über Bluetooth.

Dazu muss eine Bluetooth-Verbindung bestehen und die App uDrive Connect installiert sein.

- **Uhrzeit und Datum** – zum Ändern von Uhrzeit, Datum und Uhrzeitformat.
- **Geschwindigkeit** – schaltet zwischen km/h und mph (Meilen pro Stunde) um.
- **Sprache** – schaltet zwischen den verfügbaren Sprachen um (aktuelle Sprachoptionen: Englisch, Deutsch, Spanisch, Französisch und Italienisch).
- **Bildschirmhintergrund** – schaltet zwischen Schwarz und Weiß um.



# Rollers starten



Startanzeige

## Zum Starten des Rollers

- Vergewissern Sie sich, dass die Batterie ausreichend geladen ist (Seite 57).
- Klappen Sie den Mittelständer nach oben (Seite 53).
- Schalten Sie die Zündung ein (Seite 52).
- Wenn der Startbildschirm angezeigt wird, drücken Sie einen der Bremshebel und die Auf- oder Ab-Taste am Menüschalter.
- Deaktivieren Sie den Ausschalter (Seite 47).

DE

## Zündung eingeschaltet (Fahrstellung)

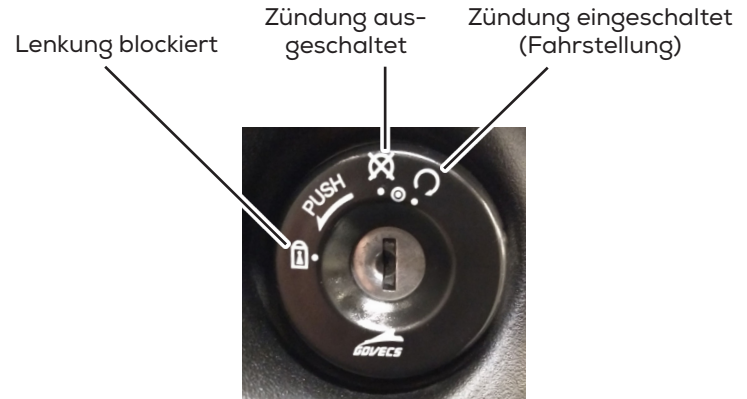
- Alle Funktionen sind aktiv.
- Der Roller ist fahrbereit.
- Der Schlüssel kann nicht abgezogen werden.

## Zündung ausgeschaltet

- Alle Funktionen sind abgeschaltet.
- Der Lenker ist nicht verriegelt.
- Sie können den Roller schieben.
- Der Roller kann sicher gehandhabt werden.
- Der Schlüssel kann abgezogen werden.

## Lenkung blockiert

- Alle Funktionen sind abgeschaltet.
- Die Lenkung ist blockiert.
- Der Roller kann sicher gehandhabt werden.
- Der Schlüssel kann abgezogen werden.



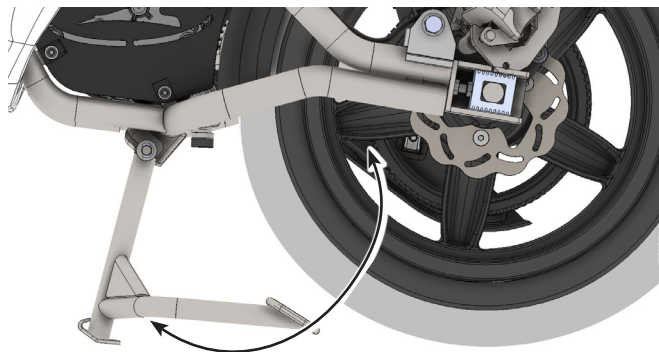
Ein Elektrofahrzeug macht beim Einschalten kein Geräusch!

## Den Roller vom Ständer nehmen

- Nehmen Sie den Roller vom Ständer, bevor Sie sich auf ihn setzen.
- Greifen Sie den linken Lenkergriff und den Gepäckträger und schieben Sie den Roller nach vorne.
- Der Motor ist deaktiviert, solange der Ständer unten ist.

## Den Roller auf den Ständer stellen

- Um den Roller auf den Ständer zu stellen, halten Sie ihn am linken Lenkergriff und drücken den Ständer mit dem Fuß nach unten.
- Beide Beine des Ständers müssen fest auf dem Boden aufliegen.



Heben Sie den Roller niemals am Gasgriff an. Greifen Sie ihn nur an den festen Teilen des Lenkers oder Rahmens.

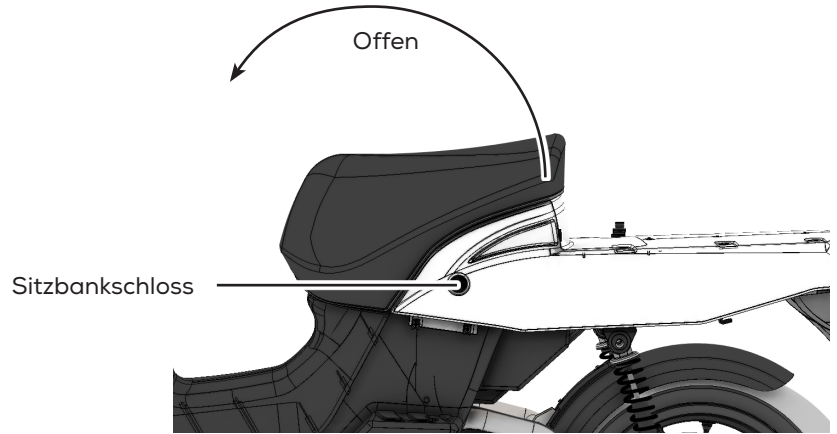
# Staubox und Gepäckträger

## Sitz

- Die maximale Belastung ist 125 kg.

## Sitzbankschloss

- Entriegeln Sie den Sitz mit dem Zündschlüssel.
- Öffnen Sie den Sitz nach vorne.
- Schließen Sie den Sitz niemals, wenn sich der Schlüssel darin befindet!

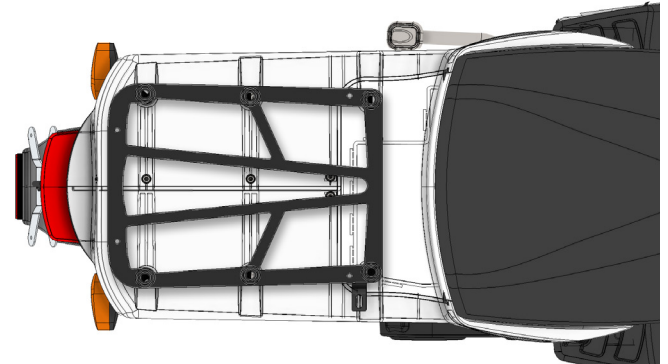


## Staufach

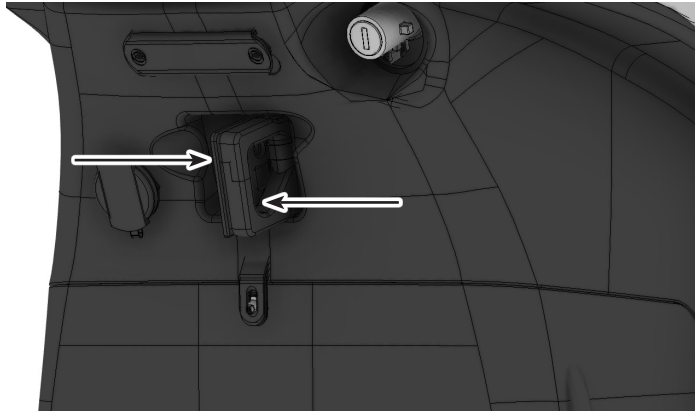
- Die maximale Belastung ist 5 kg.
- In der Staubox befinden sich auch die 12-V-Batterie und die Sicherungen.

## Gepäckträger

- Die maximale Belastung ist 25 kg.
- Jede Art von Box kann installiert werden, solange die Montage kein Werkzeug erfordert.



# Taschenhaken



## Nutzung des Beutelhakens

- Der Haken kann zum Aufhängen einer kleinen Tasche oder anderer mit einem Hänger ausgestatteten Objekte verwendet werden.
- Um die Tasche aufzuhängen, lösen Sie den Haken in der auf dem Bild gezeigten Richtung.
- Hängen Sie keine Last von mehr als 3 kg Gewicht in den Haken ein.



Überschreiten Sie niemals das maximale Gewicht und laden Sie keine Gegenstände, die breiter als der Roller sind.

DE

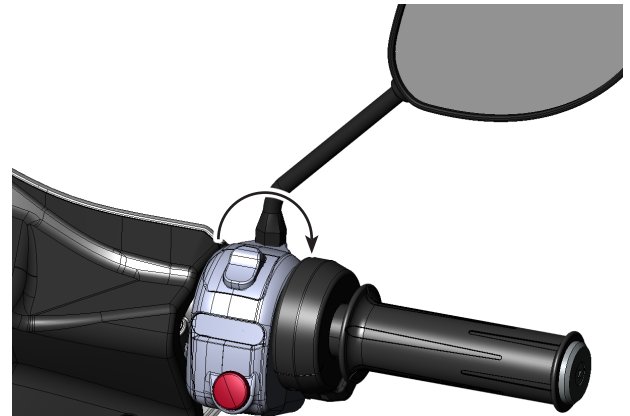
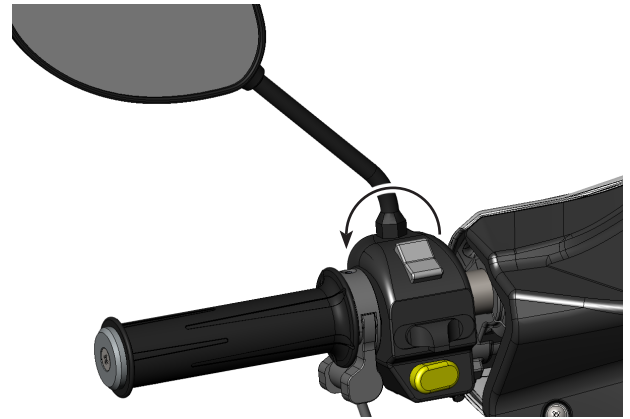


## Spiegel einstellen

- Lösen Sie die Mutter an der Unterseite des Spiegels mit einem 14-mm-Schraubenschlüssel.
- Am linken Spiegel drehen Sie die Mutter nach links.
- Am rechten Spiegel drehen Sie die Mutter nach rechts.
- Stellen Sie den Spiegel so ein, dass Sie den Bereich hinter dem Roller deutlich sehen können.
- Achten Sie darauf, dass Sie eine ungehinderte Sicht auf Ihre Umgebung haben, insbesondere wenn die Ladebox installiert ist.
- Ziehen Sie die Spiegelmuttern vor dem Fahren mit dem Schraubenschlüssel wieder fest.



Fahren Sie den Roller nicht mit beschädigten oder falsch eingestellten Spiegeln!



# Batterie aufladen

## Allgemeine Anweisungen

- Ihr Roller ist mit einem On-Board-Ladegerät ausgestattet.
- Das Ladekabel ist in der Ladebox verstaut.
- Der Ladestecker kann in eine E/F-Steckdose mit 16 A / 240 V eingesteckt werden.
- Schließen Sie nicht mehr als einen Roller an die gleiche Phase an.
- Das Laden der Batterie ist bei Temperaturen über +5 °C möglich.
- Der Ladevorgang darf jederzeit unterbrochen werden.

## Ladestand

- Der Ladestand wird durch die LED am Display angezeigt.
- Ein konstantes grünes Licht zeigt an, dass der Ladevorgang läuft.
- Kein Licht zeigt an, dass der Ladevorgang abgeschlossen ist.

## Ladezeit

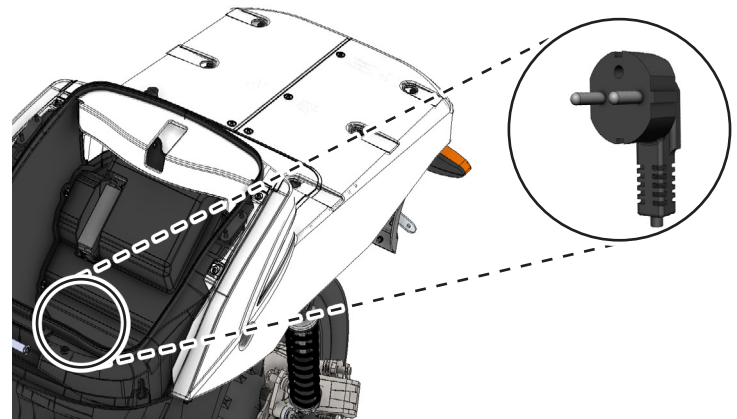
- Das vollständige Aufladen des Rollers dauert ca. 5 Stunden.
- Das Aufladen auf 50 % dauert ca. 1½ Stunden.
- Es ist unmöglich, die Batterie zu überladen.

## Batterielebensdauer

- Laden Sie die Batterie immer sofort auf, wenn sie deutlich entladen ist.
- Lassen Sie die Batterie nicht über einen längeren Zeitraum leer.
- Wenn Sie den Roller nicht benutzen, bewahren Sie ihn gemäß dem verlängerten Aufbewahrungsverfahren (siehe Seite 64) auf.

## Schnellladen

- Während des Ladevorgangs kann über das Anzeigemenü ein Schnelllademodus ausgewählt werden.
- Wir empfehlen, den Schnelllademodus nur dann zu verwenden, wenn Sie den Roller so schnell wie möglich wieder nutzen müssen.
- Der Schnelllademodus kann die Batterielaufzeit verkürzen.



Ladekabel niemals knicken, schneiden oder darauf treten.  
Ein beschädigtes Kabel muss sofort ausgetauscht werden!

# Sicherungen und 12-V-Batterie

## Die 12-V-Batterie befindet sich unter dem Sitz.

- Entfernen Sie die Abdeckung, um sie zu erreichen.
- Die 12-V-Batterie versorgt die elektronischen Systeme des Fahrzeugs, wenn der Roller inaktiv ist, und dient auch seiner Inbetriebnahme.
- Die 12-V-Batterie wird von der Hauptbatterie geladen, wenn der Roller in Betrieb ist.
- Eine ordnungsgemäße Wartung und ein nicht vollständiges Entladen der Hauptbatterie stellen sicher, dass sich die 12-V-Batterie niemals entlädt.
- Wenn die 12-V-Batterie entladen ist, kann sie mit einer externen 12-V-Stromquelle geladen werden.
- Tiefentladene Batterien (unter 10 V) sollten ausgetauscht werden.

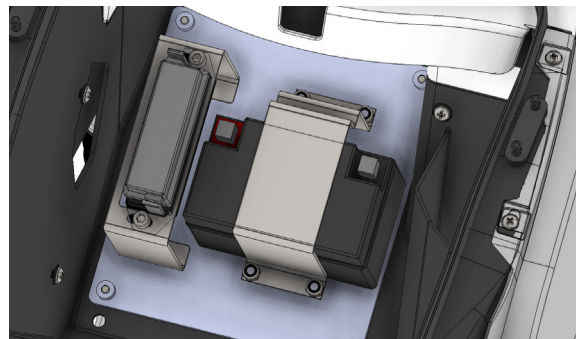


## Sicherheitsvorkehrungen

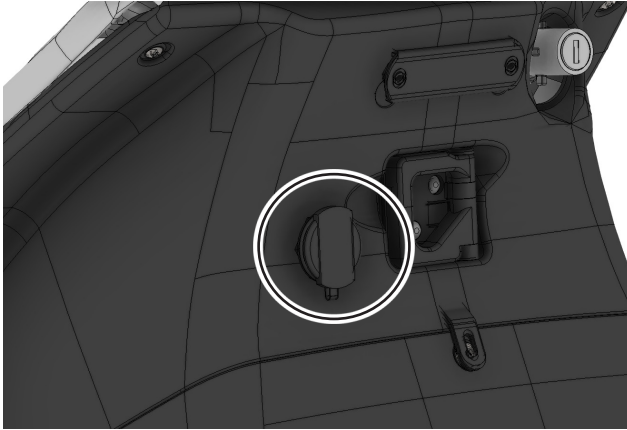
- Schalten Sie den Roller aus, bevor Sie Sicherungen austauschen.
- Ersetzen Sie durchgebrannte Sicherungen nur durch passende Fahrzeugsicherungen mit der in der obigen Tabelle angegebenen Nennleistung.
- Vergewissern Sie sich, dass die Sicherung richtig in den Sicherungshalter passt.
- Achten Sie beim Laden der Batterie auf den POSITIVEN (roten) und NEGATIVEN (schwarzen) Anschluss. Schließen Sie zuerst den POSITIVEN und erst dann den NEGATIVEN Pol an. Wenn Sie fertig sind, trennen Sie zuerst den NEGATIVEN und dann den POSITIVEN Pol.
- Wiederholte Probleme mit den Sicherungen und der 12-V-Batterie können auf eine schwere elektrische Fehlfunktion hinweisen. Wenden Sie sich zur Diagnose und Reparatur an eine autorisierte Servicestelle.

## Die folgenden Sicherungen befinden sich ebenfalls unter dem Sitz

	Werte	Funktion
1	20 A	12-V-Batterie
2	7,5 A	Beleuchtung
3	5 A	Hupe
4	10 A	12-V-Steckdose
5		Nicht genutzter Steckplatz
6		Nicht genutzter Steckplatz
7	7,5 A	Gleichspannungswandler
8	30 A	Ladegerät



# 12-V-Steckdose



## 12-V-Stromanschluss

- Diese Steckdose kann zum Aufladen kleinerer elektronischer Geräte wie Telefone, Musik-Player oder GPS-Geräte verwendet werden.
- Wenn Sie ein externes Gerät verwenden, stellen Sie sicher, dass es sicher am Roller oder am Fahrer befestigt ist und während der Fahrt nicht herunterfallen kann.
- Schließen Sie keine leistungsstarken Geräte wie Heizvorrichtungen an.



Die Ausgangsleistung darf 180 W nicht überschreiten.

DE

# Beleuchtung

Der Roller ist mit folgenden Leuchten ausgestattet:

## Frontleuchten

- Frontscheinwerfer (Fern- und Abblendlicht)
- Standlicht
- Blinker

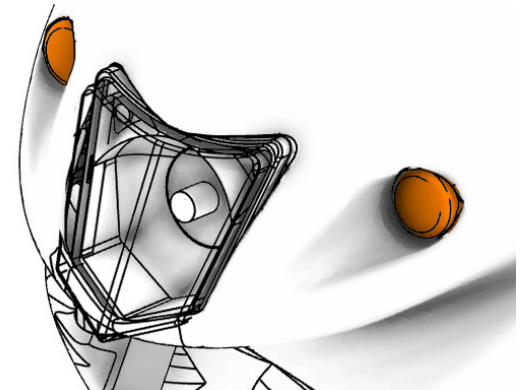
## Rücklichter

- Bremslicht
- Standlicht
- Blinker

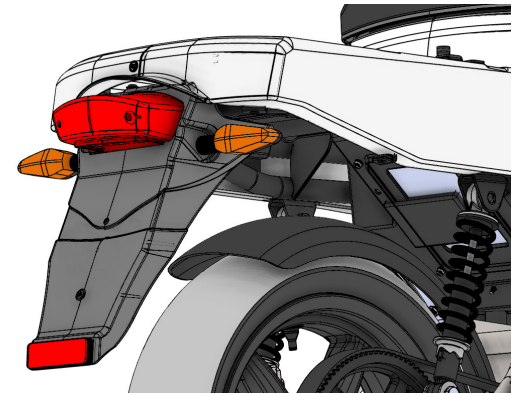
## Verwendete Leuchtmittel

Frontleuchte	H4, 12 V, 35 W
Standlicht	W3W, 12 V, 3 W
Rücklicht	LED, 12 V
Bremslicht	LED, 12 V
Blinker	LED, 12 V
Kennzeichenbeleuchtung	LED, 12 V

Die am Roller verwendeten LED-Energiesparlampen müssen nicht regelmäßig ausgetauscht werden. Sollte einmal eine LED-Leuchte ausfallen, wenden Sie sich zur Reparatur an eine autorisierte Servicestelle.

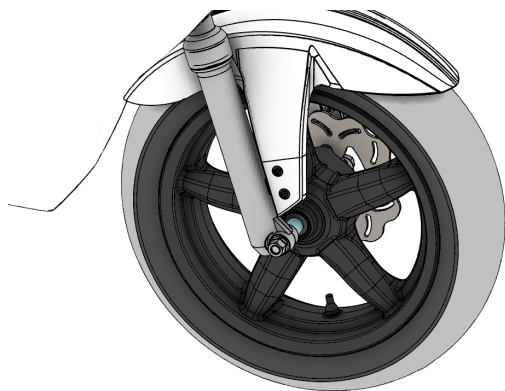


Frontleuchten

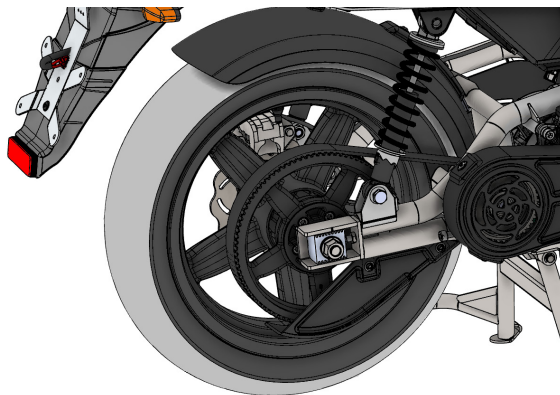


Rücklichter

# Reifen



Vorderrad



Hinterrad

## Reifentypen

Das Fahrzeug ist mit Ganzjahresreifen 130/60 R13 mit der Option 120/70 R13 ausgestattet.

## Reifendruck

Reifen	Unbeladen	Beladen
Vorne	2,2 bar	2,2 bar
Hinten	2,2 bar	2,5 bar

DE

## Prüfen des Reifendrucks

- Überprüfen Sie vor jeder Fahrt die Reifen auf Beschädigungen und Druckverlust.
- Der Druck sollte wöchentlich und nach längeren Stillstandszeiten überprüft werden.
- Zu niedriger Luftdruck oder verschlissene Reifen beeinträchtigen die Fahrleistung des Rollers und verringern die Reichweite.

## Beschädigte Reifen

- Die minimale sichere Profiltiefe beträgt 2 mm.
- Beschädigte Reifen müssen so schnell wie möglich mit von GOVECS empfohlenen Reifen ersetzt werden.
- Rollerreifen sollten niemals repariert werden. Nach einer Beschädigung sind sie nicht mehr sicher.

# Bremsen

Die Bremsanlage ist eine kritische Sicherheitseinrichtung an Ihrem Fahrzeug. Für Ihre persönliche Sicherheit sollten Sie immer ihren Zustand überwachen.

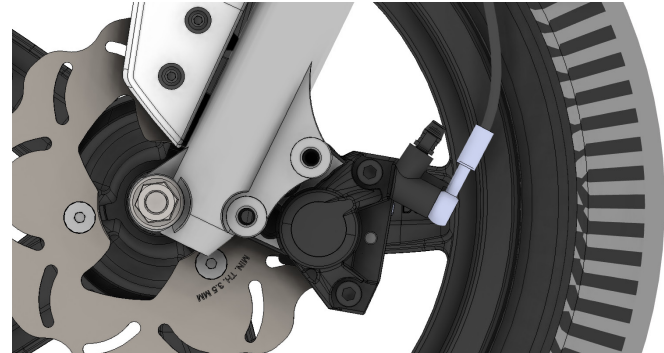
## Überprüfen Sie Ihre Bremsen regelmäßig.

- Prüfen Sie den Bremsflüssigkeitsstand.
- Überprüfen Sie die Bremsleitungen auf Dichtheit.
- Vergewissern Sie sich, dass die Dicke der Bremsbeläge mehr als 2 mm beträgt.
- Vergewissern Sie sich, dass die Brems Scheiben mindestens noch 3 mm dick sind.
- Führen Sie regelmäßige Funktionstests durch.

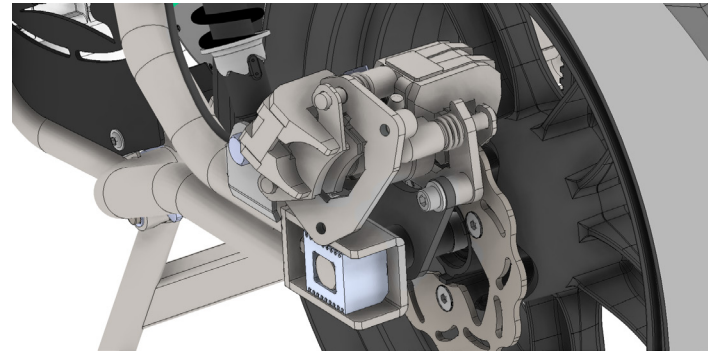
Um die Bremsleistung zu überprüfen, schieben Sie den Roller mehrere Meter weit. Während des Schiebens betätigen Sie die Vorderradbremse und danach die Hinterradbremse. Sie sollten den Roller mit angezogenen Bremsen nicht bewegen können. Halten Sie dabei den Lenker gut fest, um ein Umkippen des Rollers zu verhindern.



Wartung und Reparatur von Bremsen dürfen nur von autorisierten Servicestellen durchgeführt werden.



Vorderbremse



Hinterbremse

# Bremsflüssigkeitsstand

## Bremsflüssigkeitsstand prüfen

Der Bremsflüssigkeitsstand sollte vor jeder Fahrt überprüft werden.

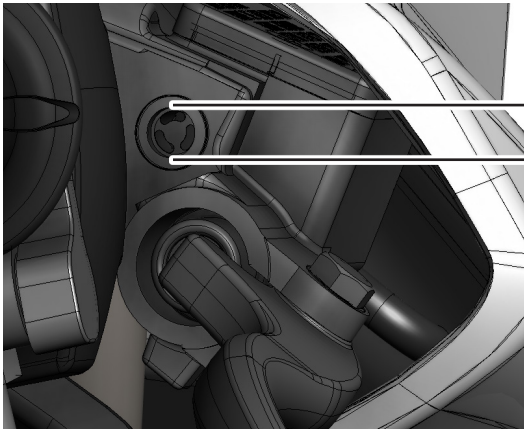
Gehen Sie dazu wie folgt vor:

- Bocken Sie den Roller auf dem Mittelständer auf ebenem Boden auf.
- Drehen Sie den Lenker nach links.
- Überprüfen Sie den Füllstand auf dem Seitenglas hinter dem rechten Behälter hinter dem Bremshebel.
- Wiederholen Sie dies mit dem linken Behälter.
- Die Bremsflüssigkeit muss zwischen Ober- und Unterkante der Seitenscheibe stehen.

Ist keine Flüssigkeit im Seitenglas zu sehen, ist die Bremsanlage beschädigt.



Im Falle einer Beschädigung der Bremsanlage darf der Roller nicht benutzt werden. Wenden Sie sich zur Diagnose und Reparatur an eine autorisierte Servicestelle.





## Reinigung

- Schalten Sie den Roller aus, bevor Sie ihn putzen.
- Waschen Sie ihn regelmäßig mit einem Schwamm und klarem Wasser.
- Verwenden Sie keine harten Schwämme oder Bürsten, die die Verkleidungen und andere empfindliche Teile zerkratzen könnten.
- Reinigen Sie lackierte Elemente nur mit speziellen Reinigungsmitteln.
- Reinigen Sie die Kunststoffteile nur mit speziellen Reinigungsmitteln.
- Verwenden Sie keine Korrosionsschutz-Reinigungsmittel für Bremssystem, lackierte Teile oder Kunststoffelemente.
- Reinigen Sie den Roller niemals mit einem Hochdruckreiniger, insbesondere nicht in der Nähe der elektronischen Komponenten.

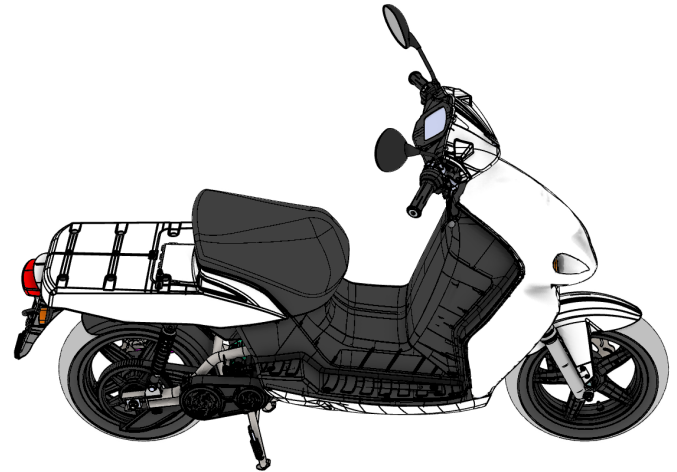
## Aufbewahrung

- Lagern Sie den Roller gut geschützt vor rauen Witterungsbedingungen wie Regen, Schnee, Verschmutzung und hoher Luftfeuchtigkeit.
- Decken Sie den Roller beim Parken im Freien mit einer atmungsaktiven Hülle ab. Abdeckungen aus hermetischem Material können Wasserkondensation am Roller verursachen, die zu Korrosion führt.
- Bei längerem Stillstand (z. B. Überwinterung) empfehlen wir, die Batterie zu laden und dann die 12-V-Batteriesicherung (20 A) zu entfernen – siehe „Sicherungen und 12-V-Batterie“ (Seite 58). Setzen Sie die Sicherung alle 3 Monate wieder

ein, laden Sie die Batterie bei Bedarf auf und lassen Sie die 12-V-Batteriesicherung mindestens 24 Stunden lang eingesteckt.

## Instandhaltung

- Führen Sie vor jeder Fahrt den empfohlenen Check durch (Seite 41).
- Befolgen Sie den empfohlenen Wartungsplan (Seite 66).
- Wenden Sie sich zur Wartung an eine autorisierte Servicestelle.
- Nehmen Sie keine unbefugten Veränderungen am Fahrzeug vor.



# Technisches Datenblatt

Fahrzeugname	GOVECS PRO CARGO	
Fahrzeugkategorie	L1e	L3e
Länge	1940 mm	
Breite	750 mm	
Höhe	1165 mm (ohne Spiegel)	
Gewicht	129 kg (mit 2 Batterien)	129 kg
	115 kg (mit 1 Batterie)	
Höchstgeschwindigkeit	45 oder 25 km/h	65 km/h
Reifentypen	Ganzjahresreifen 130/60 R13	
	Optional 120/70 R13	
Reifendruck	Vorne: 2,2 bar	
	Hinten: 2,2 bar (2,5 bar bei Beladung)	
Display	4,4-Zoll-Bosch-LCD-Display	
Motor	Bosch Drive Unit, 48 V	
Batterie	2,4-kWh-Lithium-Batterie	
Ladegerät	1200 W On-Board-Ladegerät	
Ladezeit	100 % in ca. 5 Stunden	
	50 % in ca. 1½ Stunde	

Reichweite	109 km (45 km/h, 2 Batterien)	96 km
	56 km (45 km/h, 1 Batterie)	
	150 km (25 km/h, 2 Batterien)	
	66 km (25 km/h, 1 Batterie)	
Riemenspannung	1. Stufe: 130 (+20/-0) Hz	
	2. Stufe: 100 (+20/-0) Hz	
Bremssystem	Scheibenbremse	CBS
Bremsflüssigkeit	DOT 4	
Beleuchtung	Frontscheinwerfer: H4, 12 V, 35 W	
	Standlicht: W3W, 12 V, 3 W	
	Rücklicht: LED, 12 V	
	Bremslicht: LED, 12 V	
	Blinker: LED, 12 V	
	Kennzeichenbeleuchtung: LED, 12 V	
Sitzlast	Maximal 125 kg	
Gepäckträger	Maximal 25 kg	
Staufach unter Sitz	Maximal 5 kg	
Passagierzahl	0 Person (nur der Fahrer)	

DE

# Wartungszeitplan

Zu Ihrer Sicherheit und zur Verlängerung der Lebensdauer des Rollers sollten Sie unbedingt den **Wartungsplan** befolgen.

Elemente	Häufigkeit x 1000 km	Kilometerstand														
		0,5	3,5	7,0	10,5	14,0	17,5	21,0	24,5	28,0	31,5	35,0	38,5	42,0		
1 Antriebsritzel	Inspektion alle 3500 km	I	I	I	I	I	I	R	I	I	I	I	I	R	Ersetzen, falls beschädigt	
2 Antrieb-Exzenternocken	Inspektion alle 3500 km	I	I	I	I	I	I	I	I	I	I	I	I	I	Kupferfett alle 3500 km ersetzen	
3 Vorder-/Hinterreifen	Inspektion alle 3500 km	Ersetzen, wenn die Tiefe weniger als 2 mm beträgt													Ersetzen, falls beschädigt	
4 Vordere und hintere Bremsbeläge	Inspektion alle 3500 km	Ersetzen, wenn die Dicke der Beläge weniger als 2 mm beträgt													Ersetzen, falls beschädigt	
5 Brems Scheiben hinten/vorne	Inspektion alle 3500 km	Ersetzen, wenn die Scheibenstärke weniger als 3 mm beträgt													Ersetzen, falls beschädigt	
6 Antriebsriemen	Inspektion alle 3500 km	I	I	I	R	I	I	R	I	I	R	I	I	R	Alle 10.500 km ersetzen	
7 Bremsflüssigkeit	Inspektion alle 3500 km	I	I	I	I	I	I	I	I	I	I	I	R	I	Alle 2 Jahre oder 40.000 km ersetzen	
8 Vordere/hintere Radlager	Inspektion alle 3500 km	I	I	I	I	I	R	I	I	I	I	R	I	I	Ersetzen, falls beschädigt	
9 Lenkkopflager	Inspektion alle 3500 km	I	I	I	I	I	R	I	I	I	I	R	I	I	Ersetzen, falls beschädigt	
10 Hinterradstoßdämpfer	Inspektion alle 3500 km	I	I	I	I	I	I	I	I	I	I	I	I	I	Ersetzen, falls beschädigt	
11 Vorderradgabel	Inspektion alle 3500 km	I	I	I	I	I	I	I	I	I	I	I	I	I	Ersetzen, falls beschädigt	
12 Mittelständer	Alle 3500 km prüfen und schmieren	I	I	I	I	I	I	I	I	I	I	I	I	I	Ersetzen, falls beschädigt	
13 Gasgriff	Inspektion alle 3500 km	I	I	I	I	I	I	I	I	I	I	I	I	I	Ersetzen, falls beschädigt oder verklebt	
14 Beleuchtung	Inspektion alle 3500 km	I	I	I	I	I	I	I	I	I	I	I	I	I	Ersetzen, falls beschädigt	
15 Sitz/Sitzbankschloss	Inspektion alle 3500 km	I	I	I	I	I	I	I	I	I	I	I	I	I	Ersetzen, falls beschädigt	
16 Kritische Schrauben/Muttern	Inspektion alle 3500 km	I	I	I	I	I	I	I	I	I	I	I	I	I	Ersetzen, falls beschädigt	
17 Drehmomentbestätigung Batterieklemmen („+“, „-“)	Inspektion alle 3500 km	I	I	I	I	I	I	I	I	I	I	I	I	I	POSITIV:15Nm, NEGATIV: 9 Nm	
18 Drehmomentbestätigung Motorschrauben/Klemmen	Inspektion alle 3500 km	I	I	I	I	I	I	I	I	I	I	I	I	I	20 Nm	

**HINWEIS:** I = Inspektion (reinigen, einstellen, ggf. schmieren) R = Ersetzen (replace)



Lassen Sie diese Inspektionen immer nur von einer autorisierten Servicestelle durchführen. Versuchen Sie nicht, den Roller selbst zu reparieren.

Die Nichteinhaltung des Wartungsplans führt zum Erlöschen der Garantie. Jede Inspektion muss dokumentiert werden.

# Wartungsbuch

FIN: \_\_\_\_\_

Geplante Inspektion	Aktueller Kilometerstand	Datum	Nächste Inspektion	Unterschrift	Stempel
500 km					
3500 km					
7000 km					
10500 km					

DE

# Wartungsbuch

Geplante Inspektion	Aktueller Kilometerstand	Datum	Nächste Inspektion	Unterschrift	Stempel
14000 km					
17500 km					
21000 km					
24500 km					

DE

# Wartungsbuch

Geplante Inspektion	Aktueller Kilometerstand	Datum	Nächste Inspektion	Unterschrift	Stempel
28000 km					
315000 km					
35000 km					
38500 km					

DE

# Contact

---

## GOVECS AG

Bavariafilmpplatz 7, Geb. 3a  
82031 Grünwald  
Germany

DE



[www.govecsgroup.com](http://www.govecsgroup.com)

Service Hotline: +49 800 788 788 30  
[service@govecs.com](mailto:service@govecs.com)

Online-Shop: [www.govecs-scooter.com](http://www.govecs-scooter.com)

# Version history

---

## v 1.1

- first release

## v 1.2

- updated company logo
- changed product name (Govecs GO!T is now Govecs PRO CARGO)
- added L3e data (page 29)
- updated torque values for battery cables (9>15 Nm; 5>9 Nm) - page 30

## v 1.3

- corrected max. loading capacity values
- corrected belt tension values in specification sheet

## v 1.3.1

- updated address and contact information
-





## Información básica

Introducción .....	74
Información sobre el modelo .....	75
Seguridad .....	76
Conducción segura.....	77

## Descripción del vehículo

Piezas principales .....	78
Elementos de conducción .....	79
Compartimento trasero.....	80
VIN & placa.....	81

## Controles

Mandos izquierdos.....	82
Mandos derechos.....	83
Pantalla - elementos .....	84
Pantalla - datos.....	85
Pantalla - ajustes.....	86
Arranque del escúter .....	87
Arranque.....	88

## Componentes externos

Caballote.....	89
Maletero y portaequipaje .....	90
Gancho para bolsas.....	91
Espejos.....	92

## Sistema eléctrico

Carga de batería.....	93
Fusibles y batería de 12V .....	94
Enchufe de 12V .....	95

## Equipamiento de seguridad

Luces.....	96
Neumáticos .....	97
Frenos.....	98
Nivel de líquido de frenos.....	99

## Instrucciones para el usuario

Cuidado del vehículo.....	100
---------------------------	-----

## Datos técnicos

Hoja de especificaciones.....	101
Calendario de mantenimiento .....	102
Libro de mantenimiento .....	103

## Notas finales

Contacto.....	106
---------------	-----

# Introducción



## **Estimado usuario del escúter GOVECS,**

Nos complace mucho su decisión de comprar un escúter de la marca GOVECS y deseamos darle la bienvenida entre el numeroso grupo de usuarios de escúteres GOVECS.

Este manual contiene instrucciones referentes al uso correcto, mantenimiento y cuidado de su escúter GOVECS. Para su propia seguridad y comodidad, recomendamos que lea atentamente estas instrucciones antes de utilizar el escúter por primera vez.

Seguir las instrucciones de mantenimiento, cuidado y técnicas de uso recogidas en este manual, así como controles periódicos en talleres autorizados de la marca GOVECS garantizan el funcionamiento sin averías.

**Le deseamos una conducción segura y cómoda.**

# Información sobre el modelo

Este manual se centra en el escúter GOVECS PRO CARGO, el modelo del 2019, equipado con el sistema Bosch LEM (Light Electric Mobility).



ES

## Por su propia seguridad, siga con cuidado las siguientes instrucciones



Siempre que este símbolo aparezca en el manual, indicará una situación en la que no seguir las instrucciones podría implicar daños en el escúter o en el usuario.



Las baterías instaladas en los escúter GOVECS deben reciclarse según la Directiva 2006/66/EC del Parlamento Europeo y del Consejo del 6 de septiembre de 2006 relativa a las pilas y acumuladores y a los residuos de pilas y acumuladores y por la que se deroga la Directiva 91/157/CEE. Las baterías dañadas, gastadas o defectuosas deben ser devueltas a la estación de servicio GOVECS o a un punto de recogida autorizado por el fabricante.

- El vehículo está autorizado para conducirse en las carreteras públicas de la Unión Europea. Las normas locales deben seguirse según las restricciones de edad, el permiso del conductor, etc.
- El escúter está diseñado para utilizarse en carreteras endurecidas. No puede utilizarse como vehículo todoterreno.
- El vehículo está diseñado para alcanzar su rendimiento óptimo con una temperatura ambiente de +5 °C a +35 °C. El rendimiento puede disminuir con temperaturas inferiores a -7,5 °C o superiores a +40 °C.
- No está permitido desmontar las baterías.
- Cualquier reparación del escúter deberá realizarse con la autorización del Servicio Técnico.
- GOVECS no se hace responsable del uso inapropiado del vehículo.
- Le recomendamos al usuario leer con atención el manual para utilizar el vehículo de manera apropiada y segura.

## Tareas que realizar antes de la conducción

Antes de montarse en el escúter, asegúrese de que:

- El cargador está desconectado del enchufe y el cable del cargador está guardado en el maletero del escúter.
- La batería tiene suficiente carga.
- Las luces, intermitentes y claxon funcionan correctamente.
- Los espejos están bien colocados.
- Los neumáticos tienen la presión adecuada de aire y el dibujo de neumático es bueno.
- Los frenos funcionan correctamente.
- El nivel de líquido de frenos es el adecuado.
- Las pastillas y los discos del freno no están desgastados.
- El manillar gira a la derecha y a la izquierda sin oponer resistencia.

## Atuendo

- Lleve siempre casco.
- La ropa debe ser cómoda y ajustada.
- Utilizar calzado adecuado (no utilizar calzado con tacón alto, chanclas, calzado abierto o similar).

## Técnicas de conducción

- Siga siempre las normas de tráfico.
- Sujete el manillar con ambas manos.
- Tome especial precaución al conducir por superficies mojadas, suciedad, suelo adoquinado, hielo o nieve.
- No utilice teléfonos móviles ni cualquier otro aparato que pueda distraerle durante la conducción.

## Carga y pasajeros

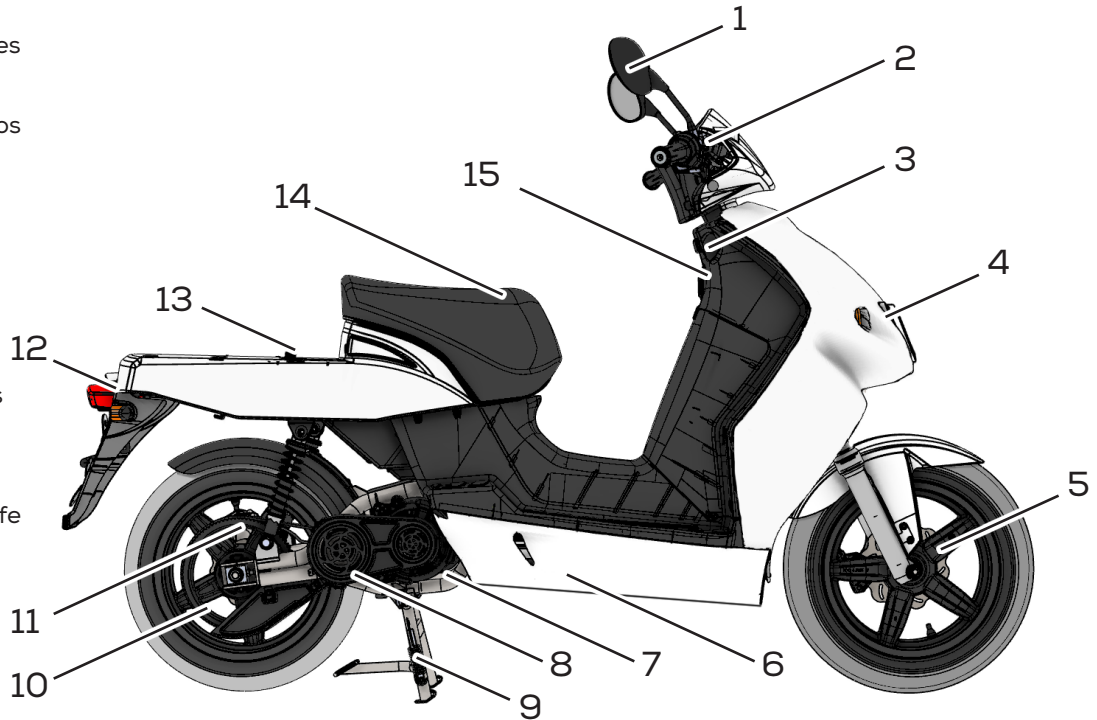
- Transporte la carga en el portaequipaje trasero designado para ello, en el maletero bajo el asiento, o usando el gancho para bolsas.
- El peso máximo de carga permitido es de 25 kg.
- El escúter está preparado para un solo pasajero (max. 125 kg)

## Tras la conducción

- Compruebe la carga de batería.
- Deje el escúter en un lugar protegido de robos o vandalismo, y donde no bloquee el tráfico.

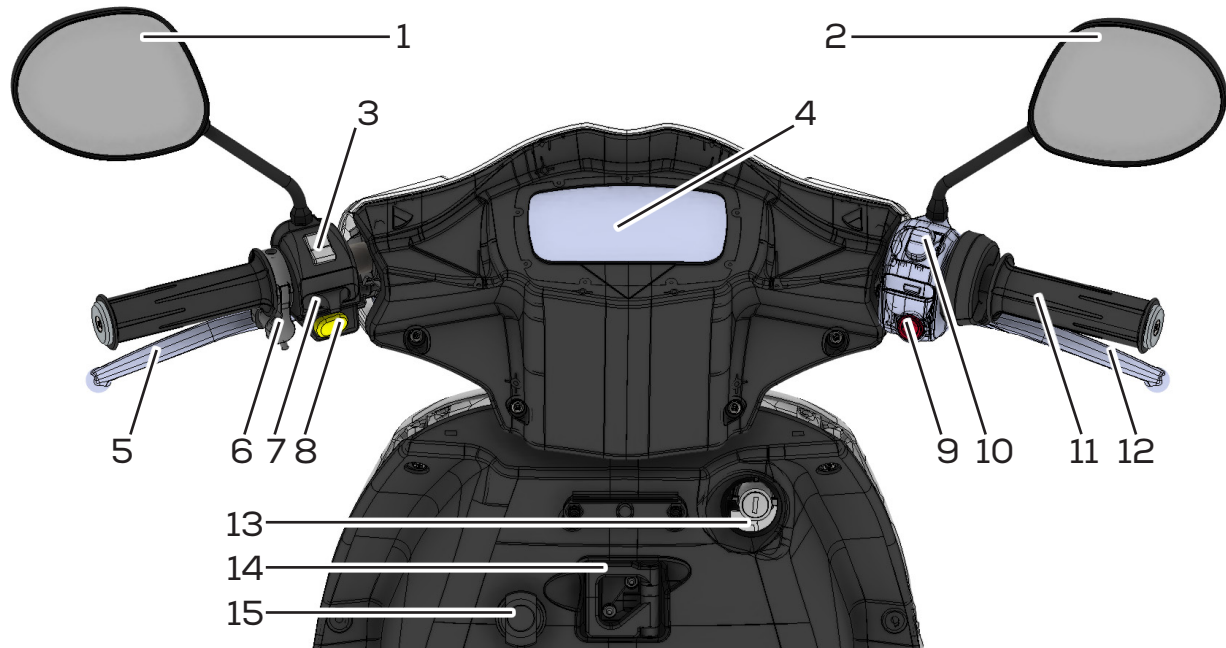
# Piezas principales

1. Espejos
2. Dirección
3. Arranque
4. Luz delantera e intermitentes
5. Rueda delantera y freno
6. Batería y cargador (bajo los paneles)
7. Motor (bajo los paneles)
8. Correa 1ª fase (cubierto)
9. Caballete
10. Rueda trasera y freno
11. Correa 2ª fase
12. Luz trasera e intermitentes
13. Portaequipajes
14. Asiento y maletero
15. Gancho de carga y enchufe de 12V



ES

# Elementos de conducción



1. Espejo izquierdo

2. Espejo derecho

3. Largo/corto alcance

4. Pantalla

5. Palanca de freno trasera

6. Selector de menú

7. Intermitentes

8. Claxon

9. Botón GO

10. Interruptor de apagado

11. Acelerador

12. Palanca de freno delantero

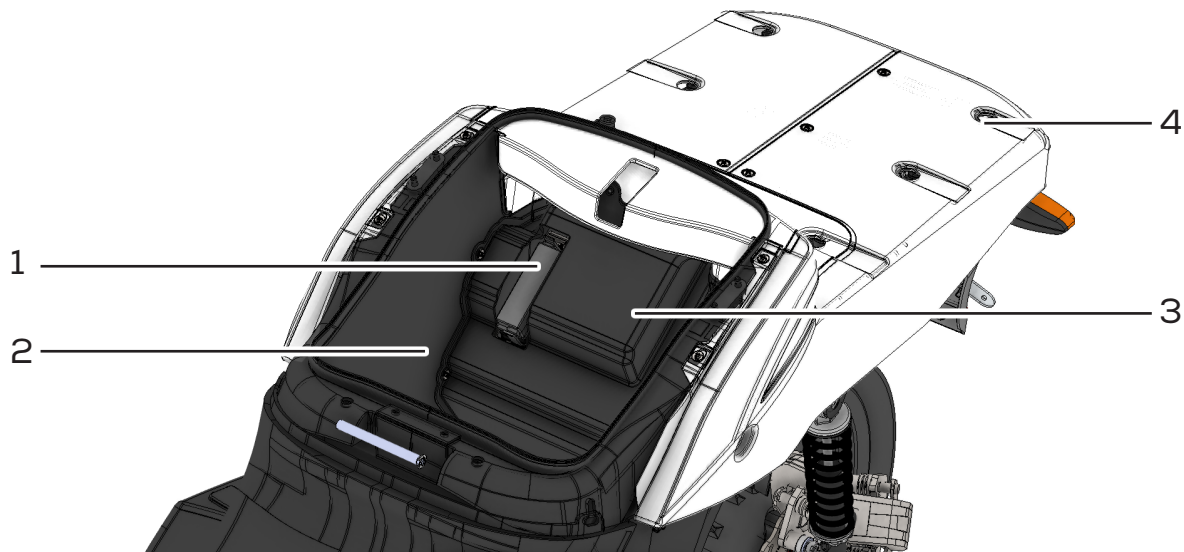
13. Arranque

14. Gancho para bolsas

15. Enchufe de 12V



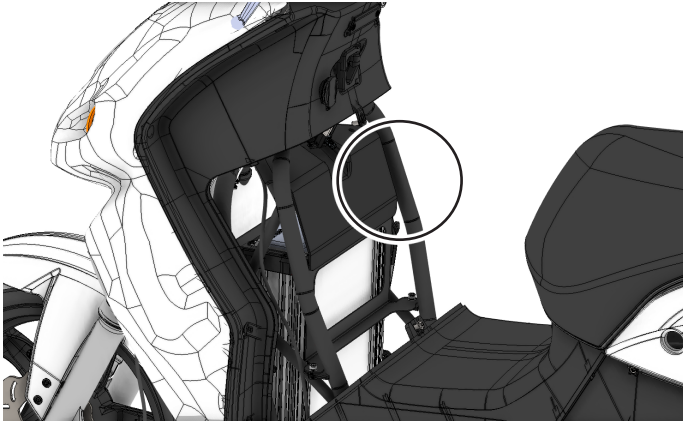
# Compartimento trasero



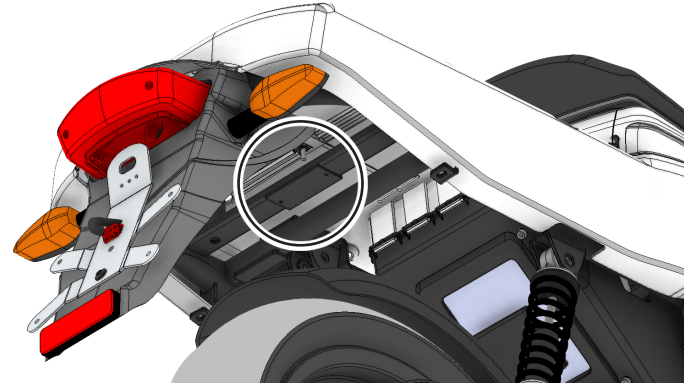
(aquí se muestra con el asiento retirado)

1. Fusibles
2. Maletero
3. Batería de 12V (cubierta)
4. Puntos de montura para el estante de carga (6 en cada escúter)

# VIN & placa



El Número de Identificación del Vehículo se encuentra en el lado derecho del chasis bajo el panel vertical.



La placa está situada bajo el estante de carga.

ES

## Largo/corto alcance

- Interruptores para la posición de la luz delantera.
- Emplee las luces de largo alcance solo en función de las normas de tráfico.
- Sea consciente de que las luces de largo alcance pueden deslumbrar a otros conductores.

## Selector de menú

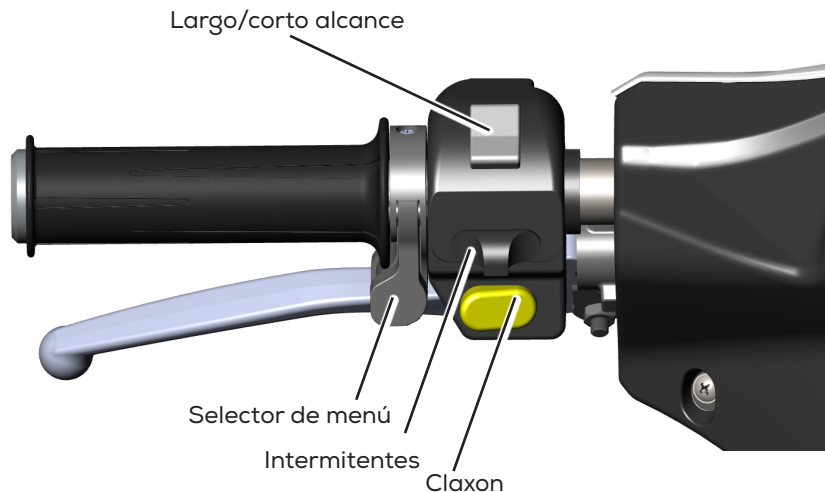
- Utilizado para moverse a través del menú del monitor.
- Utilizado durante la conducción para cambiar los modos de conducción.

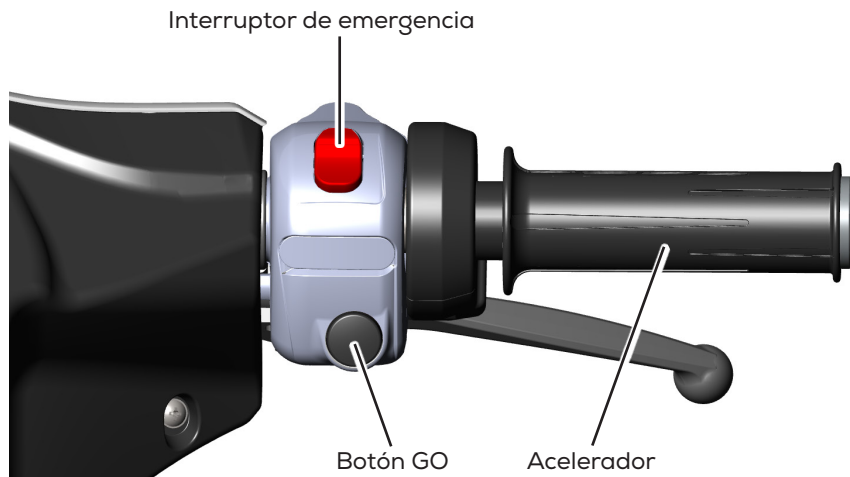
## Intermitentes

- Deslizar a la derecha o a la izquierda para activar.
- Pulsar para desactivar.

## Claxon

- Utilice el claxon sólo de acuerdo con las normas de tráfico.
- El uso continuo dañará el claxon.





## Interruptor de apagado

- Cuando está activado, impide la conducción del vehículo incluso con el motor encendido.
- Actívalo siempre al aparcar.
- Suéltelo solo cuando esté preparado para conducir.

## Botón GO

- Se empleaba para confirmar la selección en el menú del monitor.
- Cambia los datos de la conducción mostrados en el monitor al conducir.

## Acelerador

- Tirar hacia atrás para acelerar.
- Soltar para aminorar la marcha (freno del motor).
- Obedezca siempre las normas de tráfico y los límites de velocidad.

Nunca levante el escúter por el puño del acelerador.



Nunca deposite más de 20 kg en el puño del acelerador.

Nunca asegure el escúter por el puño del acelerador al ser transportado.

# Pantalla - elementos



Los siguientes indicadores aparecen en la pantalla LCD

# Pantalla - datos



La pantalla LCD de 4,4 pulgadas hace la función de panel de mandos y proporciona al usuario información y datos de la conducción. El menú funciona con el selector de menú (Up/Down) y los botones de confirmación (Go) situados en los interruptores del manillar.

Además, sirve como herramienta de comunicación de la aplicación uDrive Connect que puede instalar en su smartphone.

## Modos de conducción

Si desea cambiar de modo de conducción, hágalo con los botones Up y Down. Dispone de los siguientes modos:

- **NEUTRAL** - El acelerador está desactivado y el motor inactivo.
- **GO** - modo económico con mayor alcance.
- **CRUISE** - proporciona más aceleración y posibilidad de subir.
- **CRAWL** (Adelante y Atrás) - el modo más lento útil para aparcar y maniobrar en espacios pequeños.

El modo Boost no está disponible en el escúter de transporte.

## Datos de conducción

Al pulsar el botón GO se muestran los siguientes tipos de datos en la pantalla:

- km Total
- km Diarios
- Tiempo de conducción diario
- Velocidad media
- Consumo de energía medio

ES

# Pantalla - ajustes

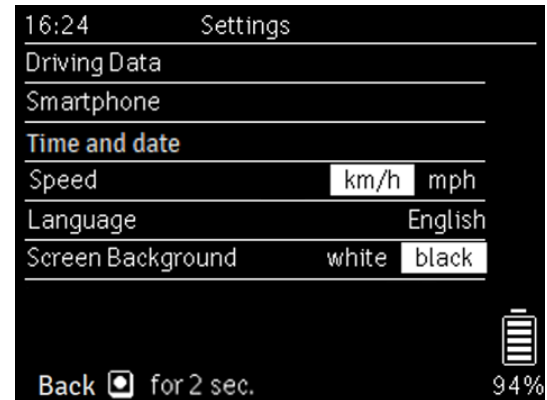
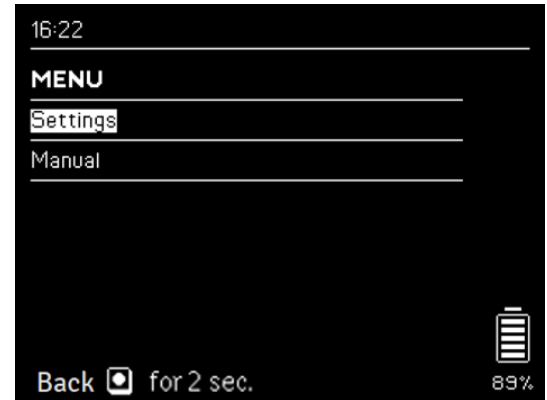
En la pantalla de inicio o en modo NEUTRAL, al mantener pulsado el botón GO durante 2 segundos se abre el menú ajustes.

Se dispone de las siguientes opciones en el menú:

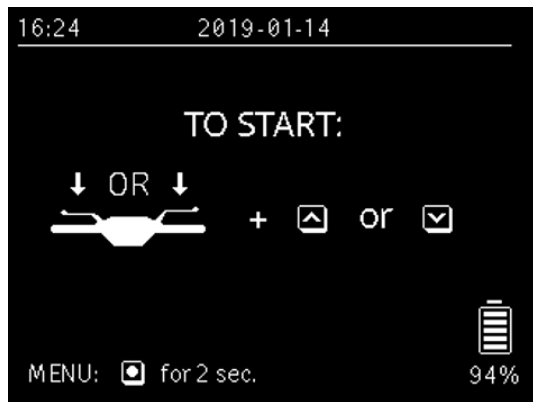
- **Manual** - instrucciones breves sobre cómo operar el vehículo.
- **Driving data** - muestra el total de km, km diarios, tiempo de conducción diario, Ø velocidad, Ø consumo. La función RESET vuelve los valores a cero
- **Smartphone** - permite emparejar el escúter con el teléfono del usuario mediante Bluetooth.

Es necesario disponer de conexión Bluetooth y la app uDrive Connect instalada.

- **Hora y fecha** - para cambiar la hora, fecha y el formato de hora.
- **Velocidad** - cambia entre km/h y mph (millas por hora).
- **Idioma** - cambia entre los idiomas disponibles (opciones de idioma disponibles: Inglés, alemán, español, francés e italiano).
- **Fondo de pantalla** - cambia entre blanco y negro.



# Arranque del escúter



pantalla de inicio

## Para arrancar el escúter

- Asegúrese de que la batería tiene suficiente carga (página 93).
- Ponga el caballete (página 89).
- Ponga el encendido en ON (página 88).
- Cuando aparece la pantalla de inicio, apriete cualquiera de los frenos y los botones Up o Down del menú.
- Suelte el interruptor de apagado (página 83).

ES



# Arranque

## Encendido ON (posición de marcha)

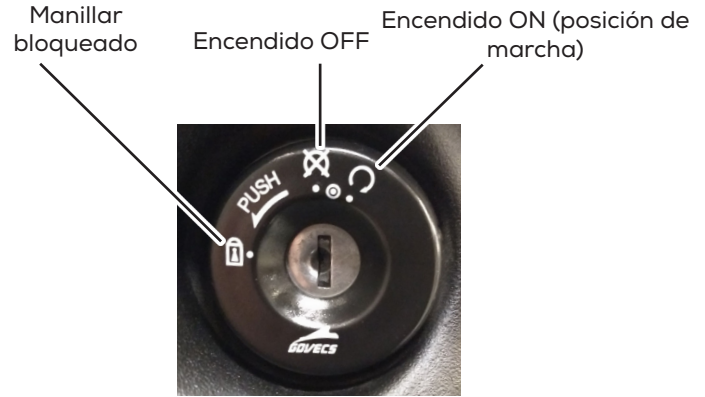
- Todas las funciones activadas.
- El escúter está listo para marcha.
- No se puede extraer la llave.

## Encendido OFF

- Todas las funciones desconectadas.
- El manillar no está bloqueado.
- Se puede empujar el escúter.
- El escúter se puede manejar con seguridad.
- Se puede extraer la llave.

## Manillar bloqueado

- Todas las funciones desconectadas.
- El manillar está bloqueado.
- El escúter se puede manejar con seguridad.
- Se puede extraer la llave.



Un vehículo eléctrico no hace ruido al arrancarse.

# Caballote

## Cómo bajar el escúter del caballote

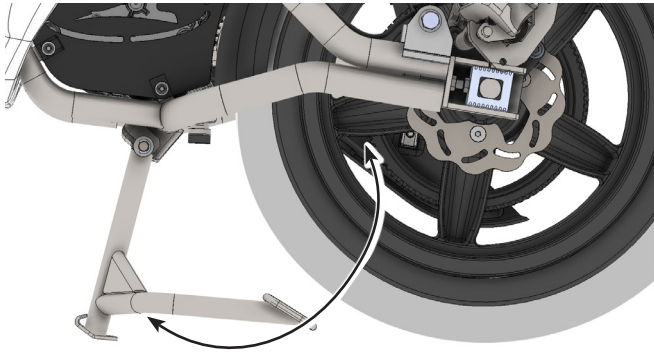
- Baje el escúter del caballote antes de sentarse sobre él.
- Agarre el puño izquierdo y el portaequipajes y empuje el escúter hacia delante.
- El motor está apagado mientras el caballote esté puesto.

## Coloque el escúter sobre el caballote

- Para colocar el escúter sobre el caballote, agarre el puño izquierdo del manillar y pise sobre el caballote.
- Debe colocar las dos piernas firmemente sobre el suelo.



Nunca levante el escúter por el puño del acelerador. Agárrelo solo por las partes sólidas del manillar o del chasis.



# Maletero y portaequipaje

## Asiento

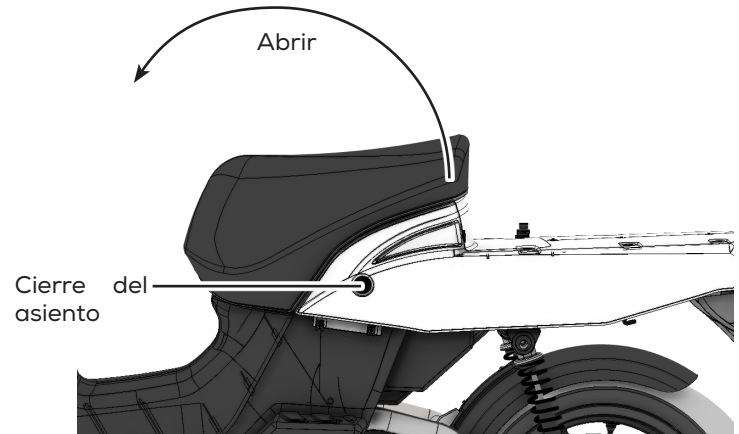
- La carga máxima es de 125 kg.

## Cierre del asiento

- Abra el asiento con la llave de arranque.
- Abra el asiento hacia delante.
- Nunca cierre el asiento con la llave dentro.

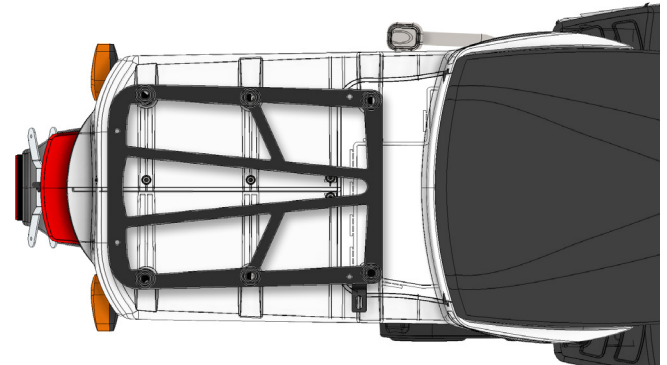
## Maletero

- La carga máxima es de 5 kg.
- En el maletero también se alberga la batería de 12V y los fusibles.

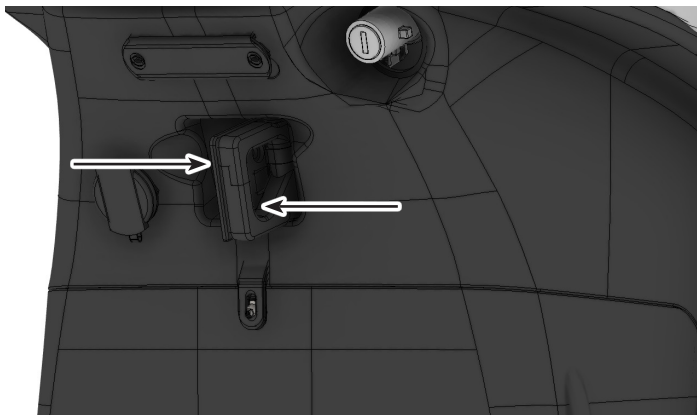


## Portaequipajes

- La carga máxima es de 25 kg.
- Se puede instalar cualquier tipo de caja, mientras se pueda montar sin usar ninguna herramienta.



# Gancho para bolsas



## Cómo usar el gancho para bolsas

- El gancho puede utilizarse para llevar una bolsa pequeña u otros objetos que dispongan de tirante
- Para colgar la bolsa, abra el gancho en la dirección mostrada en la imagen.
- No cuelgue pesos superiores a 3 kg.



Nunca exceda el peso máximo o porte objetos más anchos que el escúter.

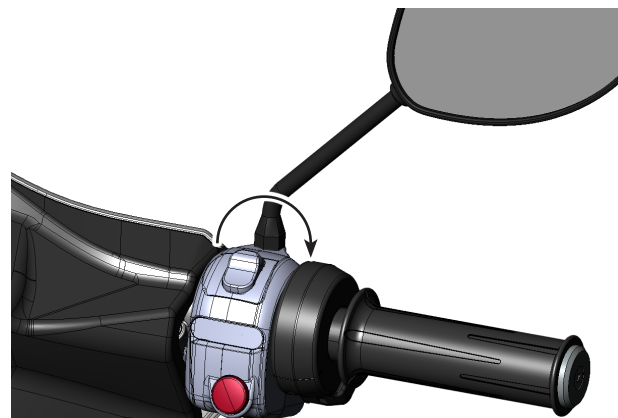
ES

## Ajuste de los espejos

- Afloje la tuerca de la base del espejo con una llave de 14 mm.
- Para el espejo izquierdo, gire la tuerca hacia la izquierda.
- Para el espejo derecho, gire la tuerca hacia la derecha.
- Gire el espejo hasta que pueda ver claramente el área de detrás del escúter.
- Asegúrese de que tiene una vista sin obstrucciones de los alrededores, sobre todo cuando esté instalada la caja de carga.
- Apriete las tuercas de los espejos fuertemente con una llave antes de conducir.



No conduzca el escúter con un espejo dañado o mal ajustado.



# Carga de batería

## Instrucciones generales

- El vehículo está equipado con un cargador a bordo.
- El cable de carga está ubicado dentro del maletero.
- Se puede utilizar en enchufes eléctricos del tipo E/F 16A/240V.
- No enchufe más de un escúter a una fase única.
- Se puede cargar la batería en temperaturas superiores a +5 °C.
- La carga se puede interrumpir en cualquier momento.

## Estado de carga

- El estado de carga está indicado en el LED de la pantalla.
- La luz verde constante indica que se está cargando.
- Si no hay luz es que la carga está completa.

## Tiempo de carga

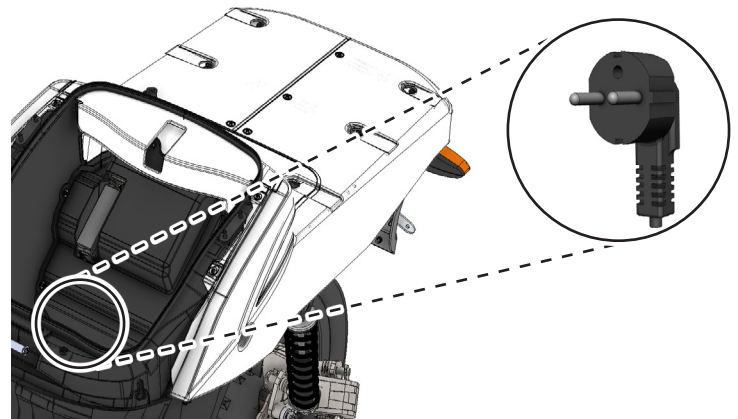
- La carga completa del escúter conlleva aproximadamente 5 horas.
- Cargarlo al 50% necesita aproximadamente 1½ horas.
- Es imposible sobrecargar la batería.

## Vida de la batería

- Cargue la batería cada vez que esté baja.
- No deje la batería sin carga durante mucho tiempo.
- Cuando no lo utilice, guarde el escúter de acuerdo con el procedimiento de almacenamiento prolongado (véase página 100).

## Carga rápida

- Al cargar, se puede seleccionar carga rápida desde el menú de la pantalla.
- Le recomendamos que utilicen el modo de carga rápida, solo cuando necesite que el escúter esté operativo tan pronto como sea posible.
- El modo de carga rápida puede disminuir la vida de la batería.



Nunca doble, corte o pise sobre el cable de carga.  
Se debe de sustituir inmediatamente un cable dañado.

# Fusibles y batería de 12V

## La batería de 12V está ubicada bajo el asiento

- Quite la cubierta de plástico para llegar a ella.
- La batería de 12V da energía a los sistemas electrónicos del vehículo cuando el escúter está apagado y es responsable de arrancarlo.
- La batería de 12V se carga de la batería principal cuando se utiliza el escúter.
- Un mantenimiento adecuado y no dejar que la batería principal se descargue, hace que nos aseguremos de que la batería de 12V nunca se descargue.
- Si se descarga la batería de 12V, se puede recargar con un enchufe externo de 12V.
- Las baterías que se han descargado completamente (por debajo de 10V) deberían ser sustituidas.

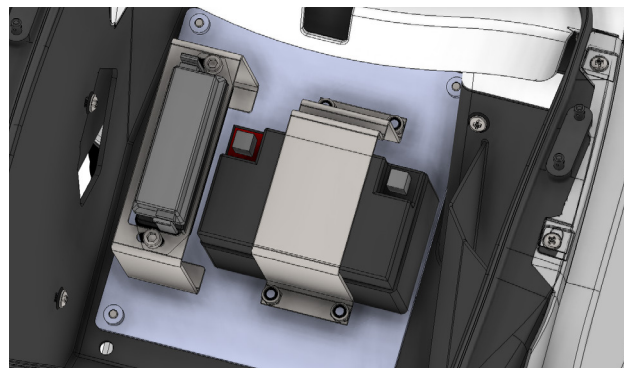


## Precauciones de seguridad

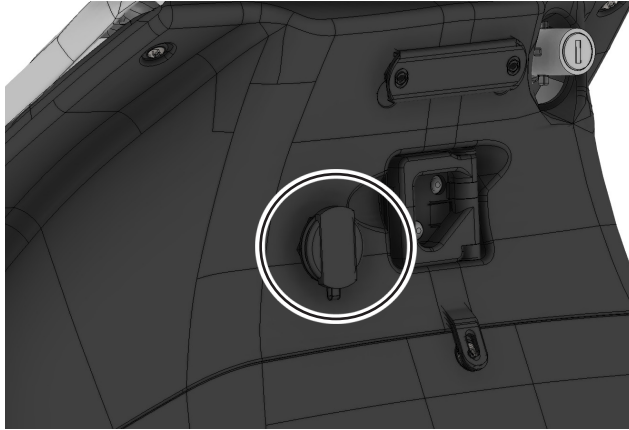
- Apague el escúter antes de sustituir los fusibles.
- Sustituya los fusibles quemados sólo con fusibles automotrices adecuados a la capacidad proporcionada en la tabla anterior.
- Asegúrese de que el fusible encaje correctamente en el portafusibles.
- Al cargar la batería, tenga en cuenta los conectores POSITIVO (rojo) y NEGATIVO (negro). Conecte primero el POSITIVO y luego el NEGATIVO. Cuando termine, desconecte el NEGATIVO primero, luego el POSITIVO.
- Los problemas repetidos con los fusibles y la batería de 12 V pueden indicar un mal funcionamiento eléctrico grave. Póngase en contacto con un centro de servicio autorizado para realizar diagnósticos y reparaciones.

## Los siguientes fusibles están también debajo del asiento.

	Clasificación	Función
1	<b>20 A</b>	Batería de 12V
2	<b>7,5 A</b>	Luces
3	<b>5 A</b>	Claxon
4	<b>10 A</b>	Enchufe de 12V
5		ranura no utilizada
6		ranura no utilizada
7	<b>7,5 A</b>	Convertidor DC/DC
8	<b>30 A</b>	Cargador



# Enchufe de 12V



## Enchufe de encendedor de 12V

- El enchufe se puede utilizar para cargar dispositivos electrónicos pequeños como teléfonos, reproductores de música o dispositivos GPS.
- Cuando utilice un dispositivo externo, asegúrese de que está correctamente conectado al escúter y de que no se caiga al conducir.
- No utilice dispositivos de alta potencia como calefactores.



No exceda los 180W de potencia de salida.

ES



El escúter está equipado con las siguientes luces:

## Luces delanteras

- Faro delantero (luz larga/luz corta)
- Luz de posición
- Indicadores

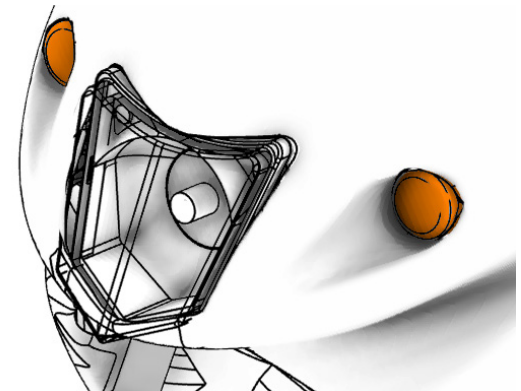
## Luces traseras

- Luz de freno
- Luz de posición
- Indicadores

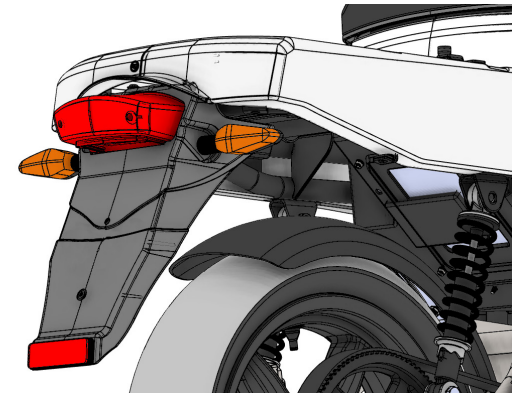
## Bombillas utilizadas

Luz delantera	H4 12V 35W
Luz de posición	W3W 12V 3W
Luz trasera	LED 12V
Luz de freno	LED 12V
Indicadores	LED 12V
Matrícula	LED 12V

Los diodos LED de ahorro de energía utilizados en el escúter no necesitan ser sustituidos regularmente. En caso de luces LED dañadas, póngase en contacto con una estación de servicio autorizada para su reparación.

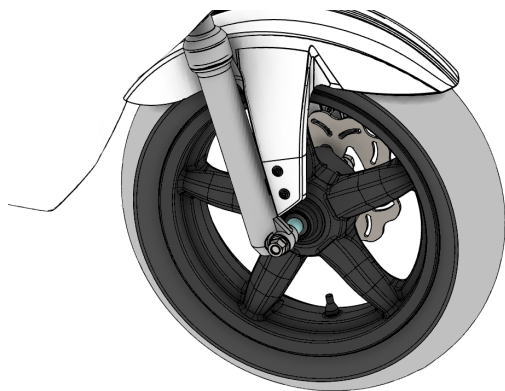


luces delanteras

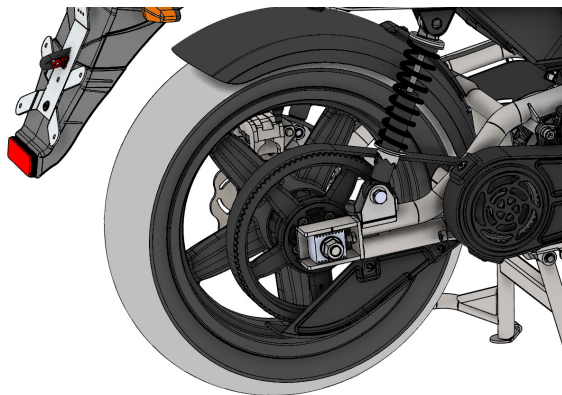


luces traseras

# Neumáticos



rueda delantera



rueda trasera

## Tipos de neumáticos

El vehículo viene equipado con neumáticos para todas las estaciones 130/60 R13 con opción para 120/70 R13.

## Presión de los neumáticos

Neumático	Sin carga	Con carga
Delantero	2,2 bar	2,2 bar
Trasero	2,2 bar	2,5 bar

## Comprobación de la presión

- Antes de la conducción, compruebe que los neumáticos no estén dañados y que no hayan perdido presión.
- La presión debe ser controlada semanalmente y después de un tiempo de inactividad más largo.
- La presión baja de aire o el elevado desgaste de neumáticos influyen negativamente sobre el rendimiento del escúter durante la marcha y reducen su alcance.

## Neumáticos dañados

- La profundidad mínima segura de la banda de rodadura es de 2 mm.
- Los neumáticos dañados deben sustituirse lo antes posible con un neumático recomendado por GOVECS.
- Los neumáticos no deben de ser reparados nunca. Una vez dañados ya no son seguros de utilizar.

ES

El circuito de frenos es un sistema vital para la seguridad del vehículo. Para la seguridad personal uno debe cuidar de su condición.

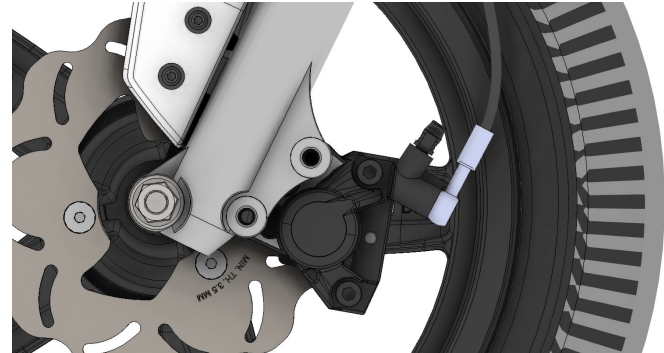
## Inspeccione los frenos de manera habitual.

- Compruebe el nivel de líquido de frenos.
- Inspeccione los cables de freno en busca de fugas.
- Confirme que el grosor de las pastillas de freno es superior a 2 mm.
- Confirme que el grosor de los discos de freno es superior a 3 mm.
- Realice una comprobación de rendimiento.

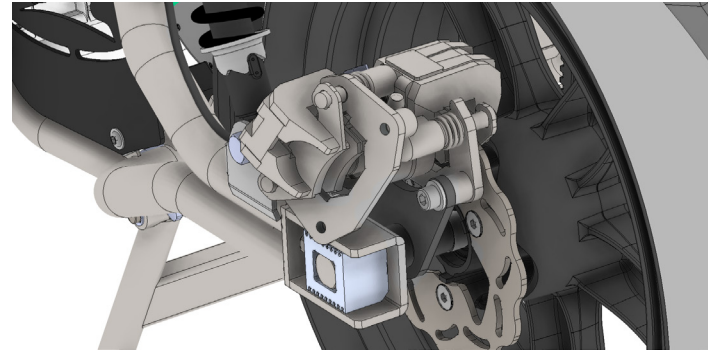
Para comprobar el rendimiento del freno, empuje el escúter durante varios metros. Mientras empuja, presione el freno delantero y luego el trasero de uno en uno. No debe poder mover el vehículo con los frenos puestos. Sujete firmemente el manillar para evitar que el escúter se caiga.



El mantenimiento y la reparación de los frenos deben ser realizados únicamente por centros de servicio autorizados.

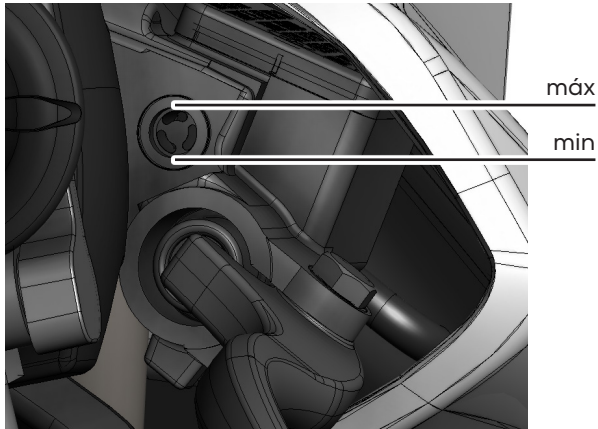


Freno delantero



Freno trasero

# Nivel de líquido de frenos



## Comprobación del nivel de líquido de frenos.

Se debe comprobar el nivel del líquido de frenos antes de cada conducción.

Para poder hacerlo:

- Coloque el escúter sobre el caballete en suelo uniforme.
- Gire el manillar a la izquierda.
- Compruebe el nivel en el cristal lateral detrás del depósito derecho detrás de la palanca de freno.
- Haga lo mismo con el depósito izquierdo.
- El líquido de frenos debe encajar entre el borde superior e inferior del cristal lateral.

La ausencia de líquido en el cristal lateral significa que el sistema de frenos está dañado.



En caso de daños en el sistema de frenos, no se debe utilizar el escúter. Póngase en contacto con un centro de servicio autorizado para realizar reparaciones.

ES

# Cuidado del vehículo

## Limpieza

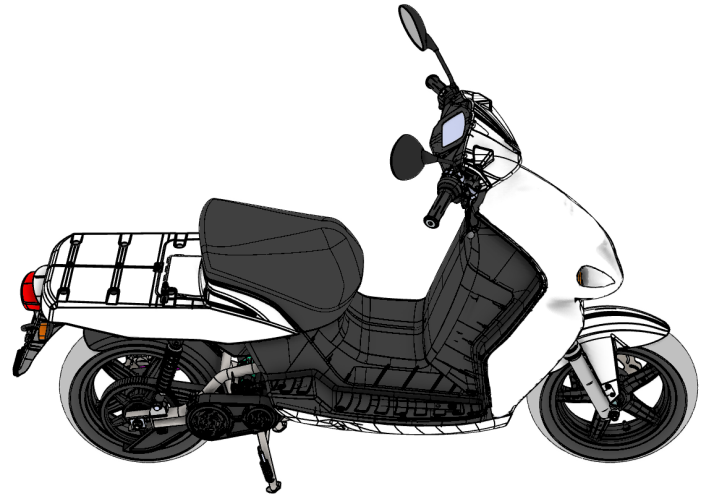
- Apague el escúter antes de su limpieza.
- Limpie el vehículo con agua limpia y esponja.
- No utilice esponjas duras ni cepillos que puedan rayar los paneles y otros componentes delicados.
- Limpie los elementos lacados sólo con productos de limpieza específicos.
- Limpie los paneles de plástico sólo con productos de limpieza específicos.
- No utilice limpiadores anticorrosivos en el sistema de frenos, piezas lacadas o paneles de plástico.
- Nunca limpie el scooter con una máquina de limpieza de alta presión, especialmente cerca de componentes electrónicos.

## Guardado

- Guarde el vehículo en un lugar seguro de condiciones climáticas adversas como lluvia, nieve, contaminación y alta humedad.
- Cuando esté estacionado al aire libre, proteja el vehículo con una funda transpirable. Las cubiertas hechas de material artificial pueden causar condensación de agua en el escúter, lo que provoca corrosión.
- Para un guardado prolongado (es decir, durante el invierno), recomendamos cargar la batería y, a continuación, retirar el fusible de la batería de 12 V (20 A) - véase "Fusibles y batería de 12 V" (página 94). Cada 3 meses vuelva a colocar el fusible, cargue la batería si es necesario y deje el fusible de 12V durante al menos 24 horas.

## Mantenimiento

- Siga las recomendaciones de la revisión previa a la primera conducción (página 77).
- Tenga en cuenta el calendario de mantenimiento recomendado (página 102).
- Póngase en contacto con una estación de servicio autorizada para el mantenimiento.
- No realice modificaciones no autorizadas en el vehículo.



# Hoja de especificaciones

Nombre del vehículo	GOVECS PRO CARGO	
Categoría del vehículo	L1e	L3e
Longitud	1940 mm	
Ancho	750 mm	
Altura	1165 mm (sin espejos)	
Peso	129 kg (con 2 baterías)	129 kg
	115 kg (con 1 batería)	
Velocidad máxima	45 km/h o 25 km/h	65km/h
Tipo de neumáticos	130/60 R13 Todas las estaciones	
	(opcional) 120/70 R13	
Presión de los neumáticos	Delantero: 2.2 bar	
	Trasero: 2.2 bar (2.5 bar con carga)	
Pantalla	Pantalla 4,4" Bosch LCD	
Motor	Bosch Drive Unit 48V	
Batería	2.4 kWh baterías de litio	
Cargador	Cargador a bordo 1200 W	
Tiempo de carga	100% aproximadamente 5 horas	
	50% en aproximadamente 1½ hora	

Alcance	109 km (45 km/h, 2 baterías)	96 km
	56 km (45 km/h, 1 batería)	
	150 km (25 km/h, 2 baterías)	
	66 km (25 km/h, 1 batería)	
Tensión de la correa	1º fase: 130 (+20/-0) Hz	
	2º fase: 100 (+20/-0) Hz	
Tipo de frenos	Frenos de disco delanteros y traseros	CBS
Líquido de frenos	DOT 4	
Luces	Luz delantera: H4 12V 35W	
	Luz de posición: W3W 12V 3W	
	Luz trasera: LED 12V	
	Luz de freno: LED 12V	
	Intermitentes: LED 12V	
	Placa de matrícula: LED 12V	
Portaequipajes máx. carga	máx 25 kg	
Carga del asiento	máx 125 kg	
Maletero	máx 5 kg	
Pasajeros	0 persona (solo el conductor)	

ES

# Calendario de mantenimiento

Para su seguridad y para prolongar la vida útil del vehículo, siga el calendario de mantenimiento.

Elementos	Frecuencia x1000 km	Kilometraje														
		0,5	3,5	7,0	10,5	14,0	17,5	21,0	24,5	28,0	31,5	35,0	38,5		42,0	
1	Piñones de transmisión	Inspeccionar cada 3500 km	I	I	I	I	I	I	R	I	I	I	I	I	R	Reemplazar si dañado
2	Leva excéntrica de transmisión	Inspeccionar cada 3500 km	I	I	I	I	I	I	I	I	I	I	I	I	I	Reemplazar la grasa de cobre cada 3500 km
3	Neumáticos delanteros/traseros	Inspeccionar cada 3500 km	Reemplazar si la profundidad es menor a 2 mm												Reemplazar si dañado	
4	Pastillas de freno delantero/trasero	Inspeccionar cada 3500 km	Reemplazar si las pastillas tienen menos de 2 mm												Reemplazar si dañado	
5	Discos de freno delantero/trasero	Inspeccionar cada 3500 km	Reemplazar si los discos tienen un espesor menor de 3 mm												Reemplazar si dañado	
6	Correa de transmisión	Inspeccionar cada 3500 km	I	I	I	R	I	I	R	I	I	R	I	I	R	Reemplazar cada 10500 km
7	Líquido de frenos	Inspeccionar cada 3500 km	I	I	I	I	I	I	I	I	I	I	I	R	I	Reemplazar cada 2 años o cada 40 000 km
8	Rodamientos de ruedas delanteros/traseros	Inspeccionar cada 3500 km	I	I	I	I	I	R	I	I	I	I	R	I	I	Reemplazar si dañado
9	Rodamientos del cabezal de dirección	Inspeccionar cada 3500 km	I	I	I	I	I	R	I	I	I	I	R	I	I	Reemplazar si dañado
10	Amortiguador trasero	Inspeccionar cada 3500 km	I	I	I	I	I	I	I	I	I	I	I	I	I	Reemplazar si dañado
11	Horquilla delantera	Inspeccionar cada 3500 km	I	I	I	I	I	I	I	I	I	I	I	I	I	Reemplazar si dañado
12	Caballote	Inspeccionar y lubricar cada 3500 km	I	I	I	I	I	I	I	I	I	I	I	I	I	Reemplazar si dañado
13	Acelerador	Inspeccionar cada 3500 km	I	I	I	I	I	I	I	I	I	I	I	I	I	Reemplazar si dañado o pegajoso
14	Luces	Inspeccionar cada 3500 km	I	I	I	I	I	I	I	I	I	I	I	I	I	Reemplazar si dañado
15	Cierre del asiento	Inspeccionar cada 3500 km	I	I	I	I	I	I	I	I	I	I	I	I	I	Reemplazar si dañado
16	Tornillos/tuercas importantes	Inspeccionar cada 3500 km	I	I	I	I	I	I	I	I	I	I	I	I	I	Reemplazar si dañado
17	Confirmación del par de apriete de los terminales de la batería ("+", "-")	Inspeccionar cada 3500 km	I	I	I	I	I	I	I	I	I	I	I	I	I	POSITIVO:15Nm, NEGATIVO:9Nm
18	Confirmación del par de apriete de los tornillos/terminales del motor	Inspeccionar cada 3500 km	I	I	I	I	I	I	I	I	I	I	I	I	I	20 Nm

<b>Atención:</b>	I - inspeccionar (limpiar, ajustar, lubricar, si fuese necesario)	R - reemplazar
------------------	---	----------------



Póngase en contacto con un centro de servicio autorizado para realizar las revisiones. No intente reparar el escúter por su cuenta.

No seguir el calendario de mantenimiento anulará la garantía. Todas las revisiones han de ser documentadas.

# Libro de mantenimiento

NIV: \_\_\_\_\_

Planificada revisión	Real kilometraje	Fecha	Próxima revisión	Firma	Sello
500 km					
3500 km					
7000 km					
10500 km					

ES



# Libro de mantenimiento

Planificada revisión	Real kilometraje	Fecha	Próxima revisión	Firma	Sello
14000 km					
17500 km					
21000 km					
24500 km					

ES

# Libro de mantenimiento

Planificada revisión	Real kilometraje	Fecha	Próxima revisión	Firma	Sello
28000 km					
315000 km					
35000 km					
38500 km					

ES

# Contact

---

## **GOVECS AG**

Bavariafilmplatz 7, Geb. 3a  
82031 Grünwald  
Germany



[www.govecsgroup.com](http://www.govecsgroup.com)

Service Hotline: +49 800 788 788 30  
[service@govecs.com](mailto:service@govecs.com)

Online-Shop: [www.govecs-scooter.com](http://www.govecs-scooter.com)

# Version history

---

## v 1.1

- first release

## v 1.2

- updated company logo
- changed product name (Govecs GO!T is now Govecs PRO CARGO)
- added L3e data (page 29)
- updated torque values for battery cables (9>15 Nm; 5>9 Nm) - page 30

## v 1.3

- corrected max. loading capacity values
- corrected belt tension values in specification sheet

## v 1.3.1

- updated address and contact information
-



# Table des matières

## Informations de base

Introduction.....	110
Informations sur le modèle.....	111
Sécurité.....	112
Conduite sûre .....	113

## Vue d'ensemble du véhicule

Composants principaux.....	114
Éléments de direction.....	115
Compartiment arrière.....	116
NIV & plaque signalétique .....	117

## Commandes

Commandes côté gauche.....	118
Commandes côté droit .....	119
Écran - éléments.....	120
Écran - données.....	121
Affichage - paramètres.....	122
Démarrage du scooter.....	123
Allumage.....	124

## Composants externes

Béquille centrale.....	125
Coffre et porte-bagages.....	126
Crochet à sacs.....	127
Rétroviseurs.....	128

## Système électrique

Charge de la batterie .....	129
Fusibles et batterie 12 V.....	130
Prise 12 V.....	131

## Équipement de sécurité

Éclairage.....	132
Pneumatiques.....	133
Freins.....	134
Niveau de liquide de frein .....	135

## Instructions pour l'utilisateur

Entretien du véhicule .....	136
-----------------------------	-----

## Caractéristiques techniques

Fiche de spécifications.....	137
Programme de maintenance .....	138
Carnet d'entretien .....	139

## Remarques finales

Contact .....	142
---------------	-----

# Introduction



## **Cher utilisateur du scooter GOVECS,**

Nous sommes ravis de votre décision d'achat du scooter GOVECS et c'est avec plaisir que nous vous accueillons parmi les nombreux utilisateurs des scooters GOVECS.

Le présent manuel présente les instructions concernant l'utilisation, la maintenance et le soin corrects de votre scooteur GOVECS. Pour votre propre sécurité et confort d'utilisation, nous vous conseillons de prendre attentivement connaissance du manuel d'utilisation avant la première utilisation.

La maintenance appropriée dans le respect de toutes les instructions d'utilisation incluses dans le présent manuel et les révisions régulières dans une station de SAV agréée de GOVECS sont les garantes d'un fonctionnement sans défaillance du scooter.

**Nous vous souhaitons une conduite confortable et sûre !**

# Informations sur le modèle

Le présent manuel couvre le scooter GOVECS PRO CARGO, modèle 2019, équipé du système Bosch LEM (Light Electric Mobility).



FR



## Pour sa propre sécurité, il est impératif de se familiariser avec les instructions suivantes



La présence de ce symbole dans le manuel indique une situation dans laquelle ne pas respecter les instructions peut avoir pour conséquence des dégradations du scooter ou des blessures de l'utilisateur.



Les batteries installées dans les scooters GOVECS sont destinées au recyclage en fin de vie conformément à la Directive 2006/66/CE du Parlement européen et du Conseil du 6 septembre 2006 sur les batteries et les accumulateurs ainsi que les batteries et accumulateurs usagés amendement la Directive 91/157/CEE. Les batteries endommagées, usagées ou ne fonctionnant pas correctement doivent être retournées à la station SAV GOVECS ou à un point de collecte agréé par le fabricant.

- Il est permis de conduire le véhicules sur les voies publiques de l'Union Européenne. Respecter obligatoirement les réglementations locales concernant les restrictions d'âge, le permis de conduire du conducteur etc.
- Le scooter est conçu pour une utilisation sur des routes carrossables. Il ne peut pas être utilisé comme véhicule tout-terrain.
- Le véhicule est conçu pour des performances optimales à une température ambiante comprise entre +5 °C et +35 °C. Le fonctionnement est possible à des températures ambiantes comprises entre -7,5 °C et +40 °C.
- Il est interdit de désassembler les batteries.
- Les réparations du scooter sont strictement réservées à un centre de SAV agréé.
- GOVECS rejette toute responsabilité pour une utilisation inappropriée du véhicule.
- Nous recommandons à l'utilisateur de lire attentivement le présent manuel afin d'utiliser le véhicule de manière correcte et sûre.

## Activités préalables à la conduite

Avant de commencer la conduite avec le scooter, s'assurer que :

- La fiche de charge est déconnectée de la prise murale et le câble de chargement est fixé dans le coffre du scooter.
- La batterie est suffisamment chargée.
- L'éclairage, les clignotants et le klaxon fonctionnent correctement.
- Les rétroviseurs sont réglés correctement.
- Les pneus sont à la bonne pression et la profondeur des sculptures est correcte.
- Les freins fonctionnent correctement.
- Le niveau de liquide de frein est correct.
- Les plaquettes et les disques de frein ne sont pas usés.
- Le guidon tourne totalement vers la gauche et la droite sans résistance.

## Tenue

- Toujours porter un casque de moto.
- Porter des vêtements sûrs, collants et confortables
- Porter des bottes appropriées (les chaussures à hauts talons, les tong ou chaussures ouvertes équivalentes sont interdites).

## Technique de conduite

- Toujours respecter le code de la route.
- Tenir le guidon à deux mains.
- Faire particulièrement attention lors de la conduite sur des surfaces humides, de la poussière, du calcaire, du verglas ou de la neige.
- Ne pas utiliser des téléphones mobiles ou d'autres appareils qui pourraient distraire pendant la conduite.

## Charge et passagers

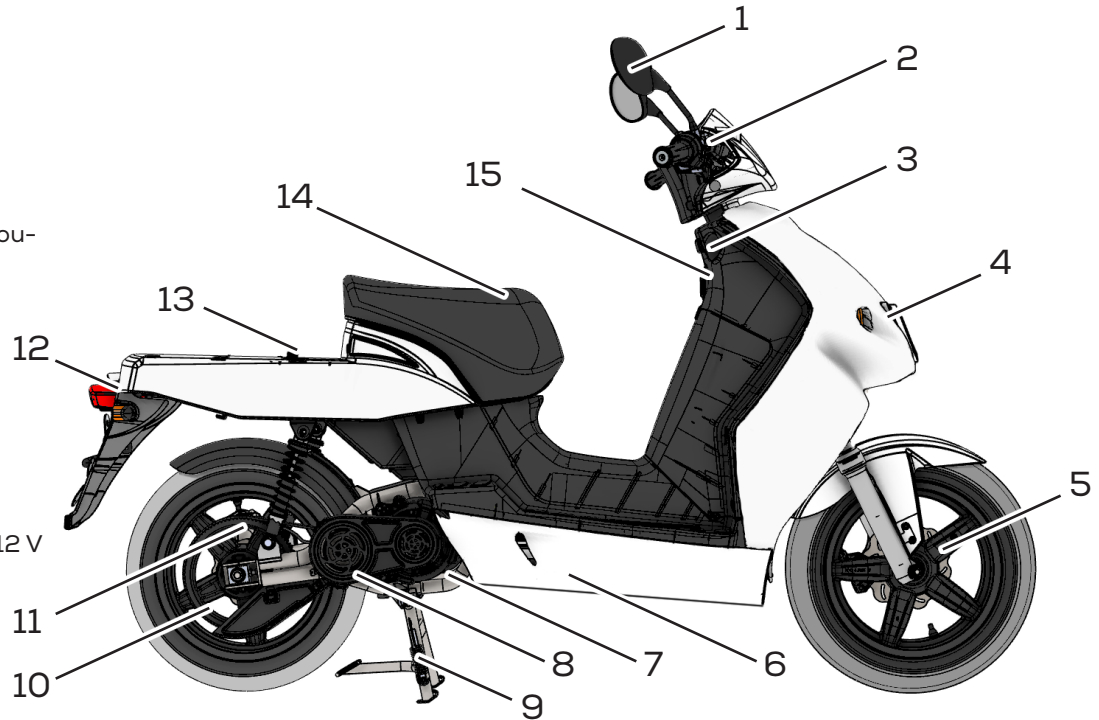
- Transporter une charge uniquement dans le top case prévu à cet effet sur le porte-bagages arrière, dans le coffre sous le siège ou en utilisant le crochet pour sacs.
- Le poids maximum autorisé du coffre de charge est de 25 kg.
- Le scooter peut uniquement transporter 1 personne (max. 125 kg)

## Après la conduite

- Vérifier si la batterie nécessite une charge.
- Conserver le scooter à un endroit où il est à l'abri du vol ou du vandalisme et où il ne gêne pas la circulation.

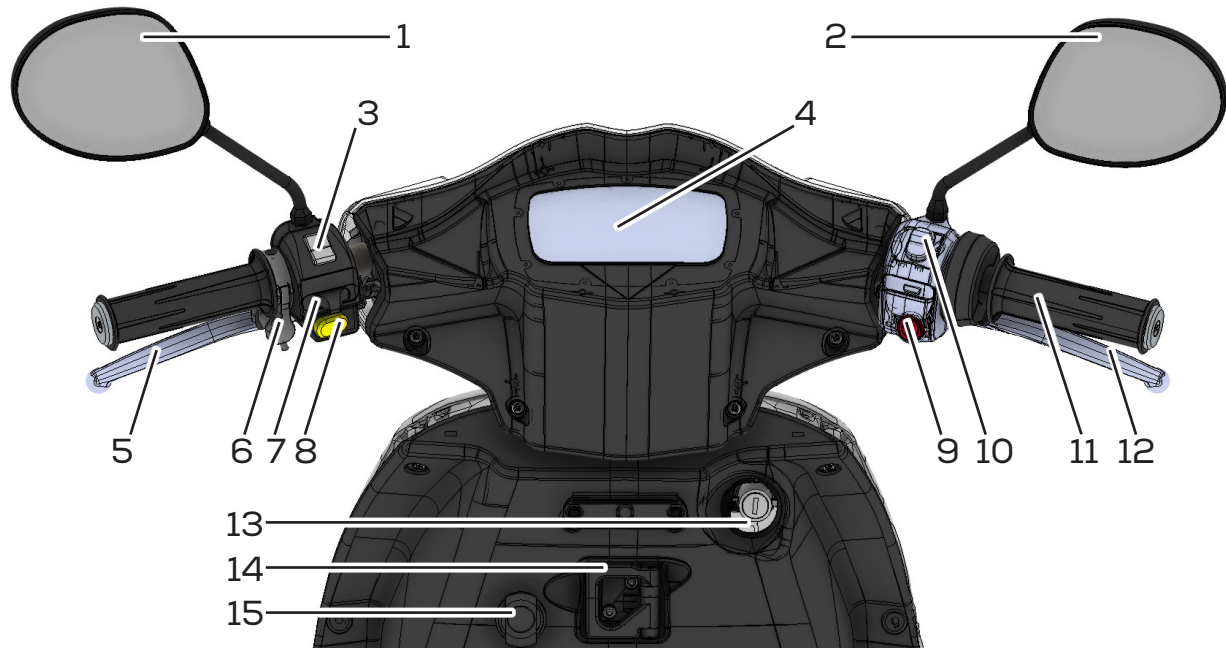
# Composants principaux

1. Rétroviseurs
2. Direction
3. Allumage
4. Phare et clignotants
5. Roue avant et frein
6. Batterie et chargeur (sous panneaux)
7. Moteur (sous panneaux)
8. Courroie 1<sup>er</sup> étage (sous recouvrement)
9. Béquille centrale
10. Roue arrière et frein
11. Courroie 2<sup>e</sup> étage
12. Feu arrière et clignotants
13. Porte-bagages
14. Siège & coffre
15. Crochet pour sacs & prise 12 V



FR

# Éléments de direction



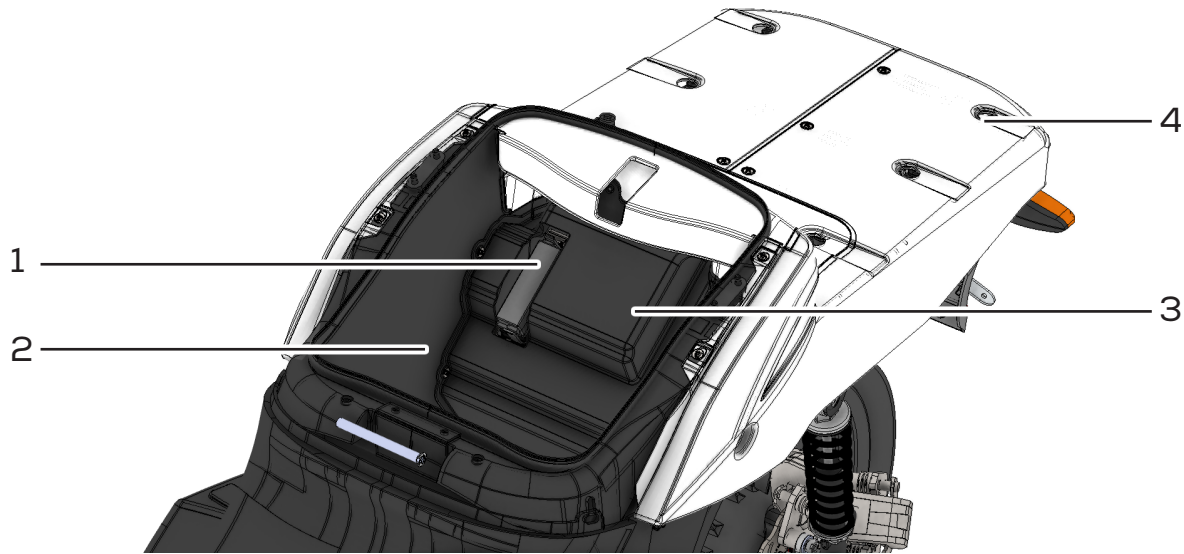
1. Rétroviseur gauche  
2. Rétroviseur droit  
3. Feu de croisement/feu de route

4. Écran  
5. Levier de frein arrière  
6. Sélecteur de menu  
7. Clignotants

8. Klaxon  
9. Bouton GO  
10. Interrupteur d'arrêt  
11. Accélérateur

12. Levier de frein avant  
13. Allumage  
14. Crochet à sacs  
15. Prise 12 V

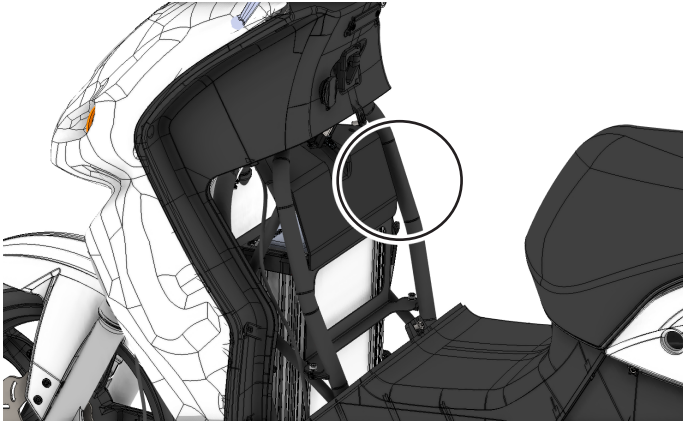
# Compartiment arrière



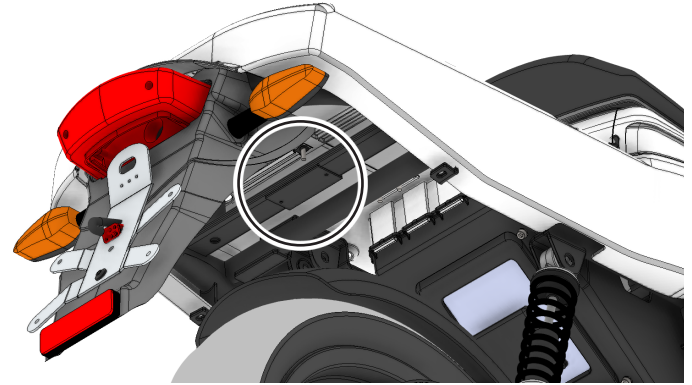
(montré ici avec le siège retiré)

1. Fusibles
2. Coffre
3. Batterie 12 V (sous recouvrement)
4. Points de montage pour le porte-bagages (6 par scooter)

# NIV & plaque signalétique



Le numéro d'identification du véhicule se trouve du côté droit du cadre sous le panneau vertical.



La plaque signalétique est située sous le porte-bagages.

FR

# Commandes côté gauche

## Feu de croisement/feu de route

- Commute la position du phare.
- Régler le feu de route en fonction des règles de circulation.
- Être conscient que les feux de route peuvent aveugler les autres conducteurs.

## Sélecteur de menu

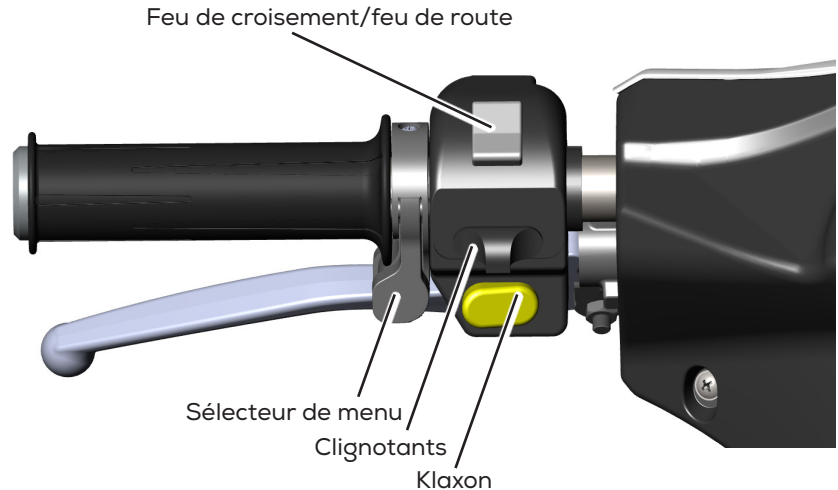
- Utilisé pour se déplacer à travers le menu de l'écran.
- Lors de la conduite, utilisé pour basculer entre les modes de conduite.

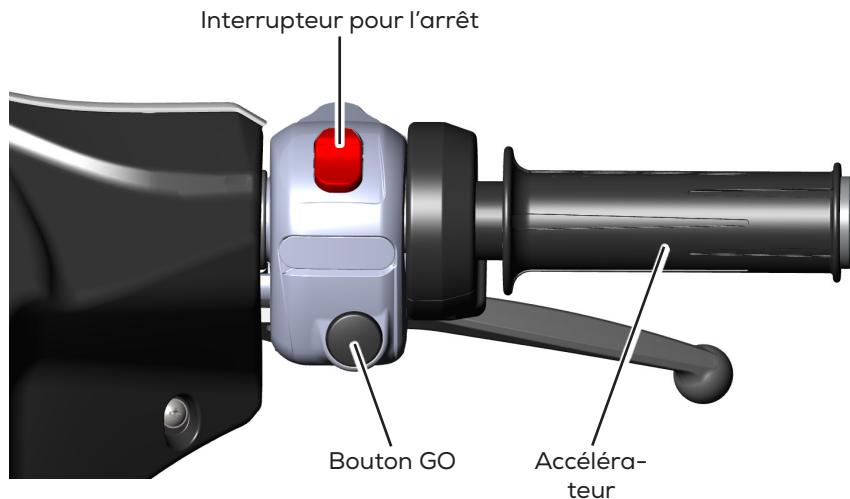
## Clignotants

- Glisser vers la gauche ou vers la droite pour l'activer.
- Le pousser pour le désactiver.

## Klaxon

- Utiliser le klaxon dans le respect des règles de circulation.
- Une utilisation continue endommagera le klaxon.





## Interrupteur d'arrêt

- Lorsqu'il est engagé, il empêche toute conduite du véhicule, même si le contact est mis.
- Toujours l'engager lors du stationnement.
- Le désactiver uniquement en étant prêt pour la conduite.

## Bouton GO

- L'utiliser pour confirmer la sélection dans le menu de l'écran.
- Commute les données de conduite affichées lors de la conduite.

## Accélérateur

- Tourner en arrière pour accélérer.
- Le relâcher pour ralentir (frein moteur).
- Toujours respecter le code de la route et les limites de vitesse.

Ne jamais soulever le scooter par la poignée d'accélérateur.



Ne jamais mettre plus de 20 kg de force latérale sur la poignée d'accélérateur.

Lors du transport du scooter, ne jamais l'attacher ou le fixer par la poignée d'accélérateur.



# Écran - éléments



Les indicateurs suivants apparaissent sur l'écran LCD

FR

# Écran - données



L'écran LCD 4.4" fait office de tableau de bord pour le scooter et fournit des informations et des données de conduite à l'utilisateur. Le menu est utilisé avec le sélecteur de menu (vers le haut/vers le bas) et le bouton Confirmer (Go) situé sur les interrupteurs de guidon.

De plus, il sert de dispositif de commutation avec l'application uDrive Connect que vous pouvez installer sur votre smartphone.

## Modes de conduite

La commutation entre les modes de conduite est effectuée avec les boutons vers le haut et vers le bas. Les modes suivants sont disponibles :

- **NEUTRAL** - l'accélérateur est désactivé et le moteur est inactif.
- **GO** - mode économique avec l'autonomie maximale.
- **CRUISE** - fournit l'accélération et la capacité en pente maximales
- **CRAWL** (marche avant et marche arrière) - le mode le plus lent, utile pour la mise en stationnement et les manœuvres dans des endroits confinés.

Le mode Boost n'est pas disponible sur le scooter de transport.

## Données de conduite

Appuyer sur le bouton GO commute les types de données suivants affichés sur l'écran.

- km total
- km journalier
- Durée de conduite journalière
- Vitesse moyenne
- Consommation électrique moyenne

# Affichage - paramètres

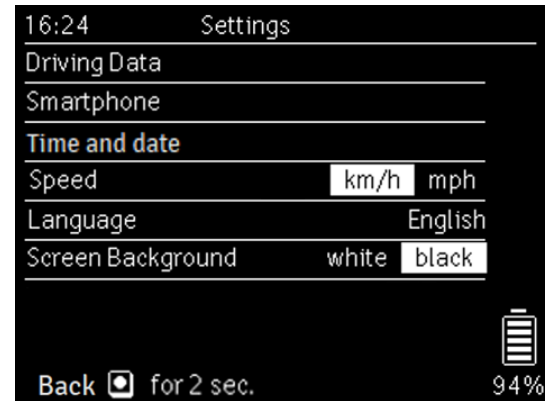
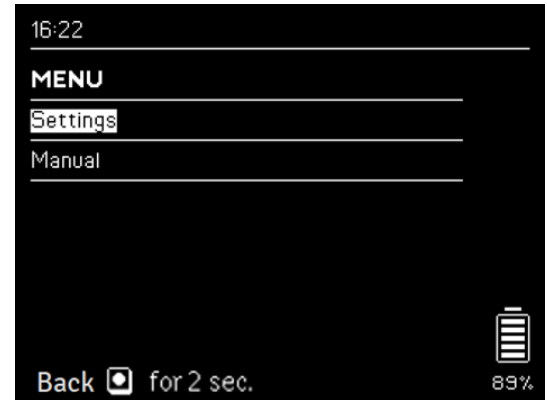
Sur l'écran de démarrage ou en mode NEUTRAL, maintenir le bouton GO pendant 2 secondes ouvre le menu de paramétrage.

Les options suivantes sont disponibles dans le menu :

- **Manuel** - instructions succinctes sur la manière d'exploiter le véhicule.
- **Données de conduite** - affiche le kilométrage total, le kilométrage journalier, la durée de conduite journalière, la vitesse Ø, la consommation Ø. La fonction RESET (réinitialisation) remet les valeurs à zéro.
- **Smartphone** - permet d'appairer le scooter avec le téléphone mobile de l'utilisateur via Bluetooth.

Une connexion Bluetooth et l'application uDrive Connect installée sont nécessaires.

- **Heure et date** - pour changer l'heure, la date et le format de l'heure.
- **Vitesse** - commute entre km/h et mph (miles per hour).
- **Langue** - commute entre les langues disponibles (options de langue actuelles : anglais, allemand, espagnol, français et italien).
- **Fond d'écran** - commute entre le noir et le blanc.



# Démarrage du scooter



Écran de démarrage

## Pour démarrer le scooter

- s'assurer que la batterie est suffisamment chargée (page 129).
- Relever la béquille centrale (page 125).
- Mettre le contact (page 124).
- Lorsque l'écran de démarrage apparaît, appuyer sur l'un des leviers de frein et sur les bouton vers le haut ou vers le bas du sélecteur de menu.
- Relâcher l'interrupteur d'arrêt (page 119).

# Allumage

## Contact mis (position de conduite)

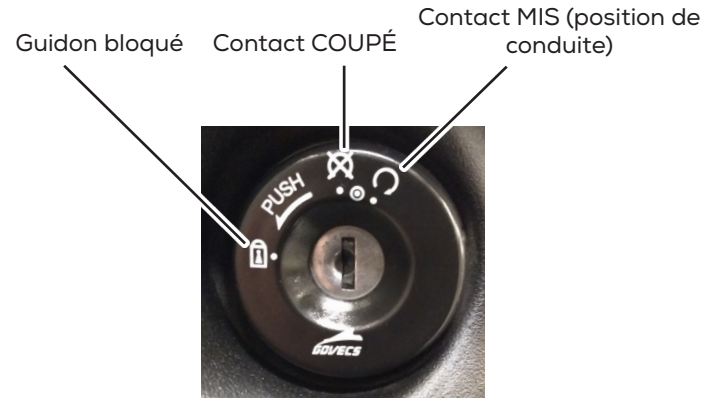
- Toutes les fonctions sont actives.
- Le scooter est prêt à la conduite.
- La clé ne peut pas être retirée.

## Contact coupé.

- Toutes les fonctions sont désactivées.
- Le guidon n'est pas bloqué.
- Le scooter peut être poussé.
- Le scooter peut être manipulé en toute sécurité.
- La clé peut être retirée.

## Guidon bloqué

- Toutes les fonctions sont coupées.
- Le guidon est bloqué.
- Le scooter peut être manipulé en toute sécurité.
- La clé peut être retirée.



Un véhicule électrique ne fait aucun bruit lorsqu'il est mis en service !

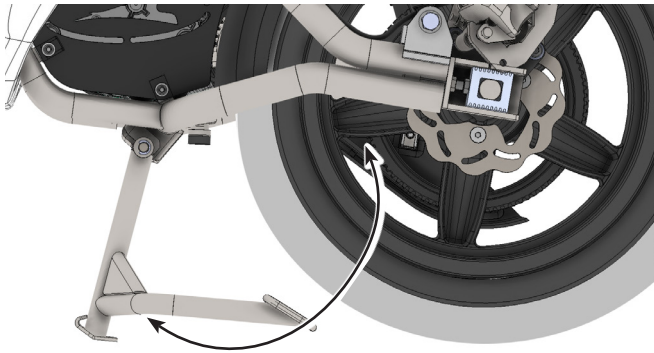
# Béquille centrale

## Descendre le scooter de la béquille

- Descendre le scooter de la béquille avant de s'asseoir dessus.
- Saisir la poignée gauche du guidon et le porte-bagages et pousser le scooter en avant.
- Le moteur est désactivé tant que la béquille est abaissée.

## Positionner le scooter sur la béquille.

- Pour mettre le scooter sur béquille, saisir la poignée gauche du guidon et pousser la béquille vers le bas avec le pied.
- Les deux pieds de la béquille doivent reposer fermement sur le sol.



Ne jamais soulever le scooter par la poignée d'accélérateur. Le saisir uniquement par les pièces solides du guidon ou du cadre.

# Coffre et porte-bagages

## Siège

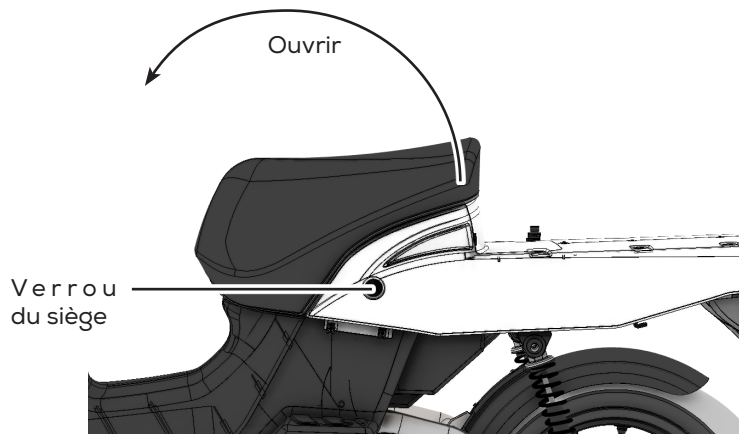
- La charge maximale s'élève à 125 kg.

## Verrou du siège

- Déverrouiller le siège avec la clé de contact.
- Ouvrir le siège vers l'avant.
- Ne jamais fermer le siège avec la clé à l'intérieur !

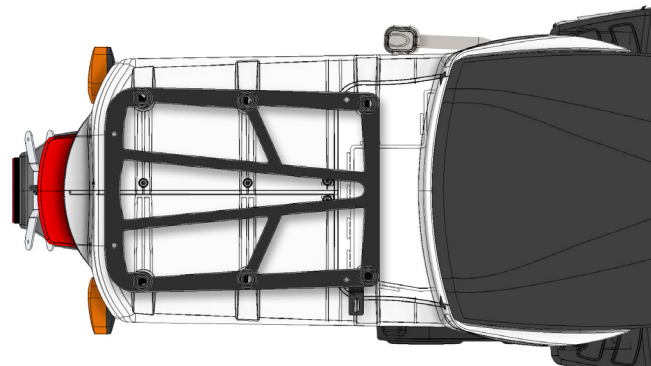
## Coffre

- La charge maximale s'élève à 5 kg.
- Le coffre contient également la batterie 12 V et les fusibles.

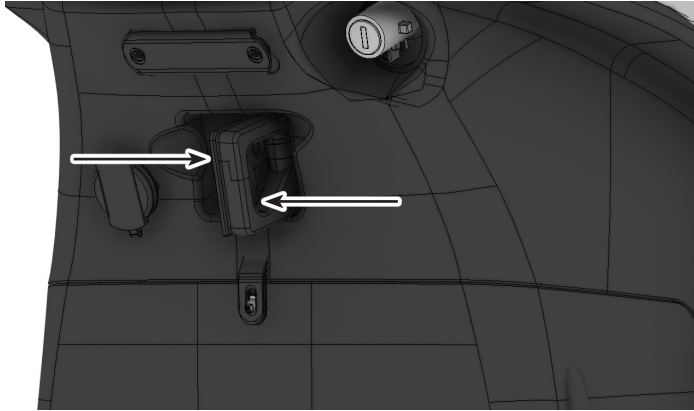


## Porte-bagages

- La charge maximale s'élève à 25 kg.
- Tout type de top case peut être installé dans la mesure où il peut être monté sans utiliser d'outil.



# Crochet à sacs



## Utilisation du crochet à sacs

- Le crochet peut être utilisé pour transporter de petits sacs ou d'autres objets équipés d'une sangle
- Pour accrocher le sac, décrocher le crochet dans les directions indiquées dans l'image.
- Ne pas accrocher de poids supérieurs à 3 kg.



Ne jamais dépasser le poids maximal ni transporter d'objets plus larges que le scooter.



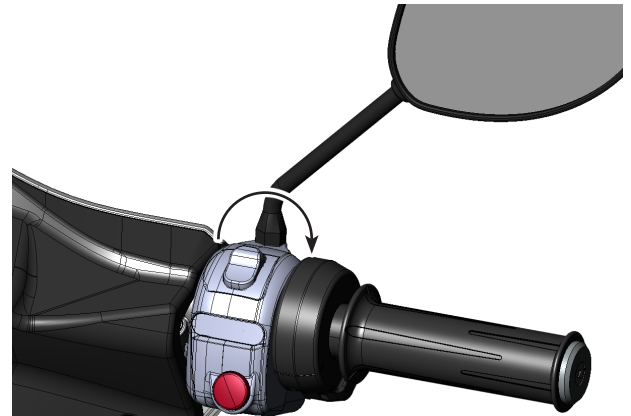
# Rétroviseurs

## Réglage des rétroviseurs

- Desserrer l'écrou à la base du rétroviseur avec une clé de 14.
- Pour le rétroviseur gauche, tourner l'écrou vers la gauche.
- Pour le rétroviseur droit, tourner l'écrou vers la droite.
- Tourner le rétroviseur jusqu'à voir clairement la zone derrière le scooter.
- S'assurer d'avoir une vue sans obstruction sur l'environnement, en particulier lorsque le top case est installé.
- Fixer les écrous de rétroviseur avec une clé avant la conduite.



Ne pas conduire un scooter avec un rétroviseur endommagé ou mal réglé !



# Charge de la batterie

## Instructions générales

- Le véhicule est équipé d'un chargeur intégré.
- Le câble de charge est situé à l'intérieur du coffre.
- Il peut être utilisé avec des prises électriques 16 A/240 V de type E/F.
- Ne pas brancher plus d'1 scooter sur une seule phase.
- Il est possible de charger la batterie à des températures supérieures à +5 °C.
- La charge peut être interrompue à tout moment.

## État de charge

- L'état de charge est indiqué par la LED sur l'écran.
- Une lumière verte fixe indique que la charge est en cours.
- Aucune lumière indique que la charge est terminée.

## Temps de charge

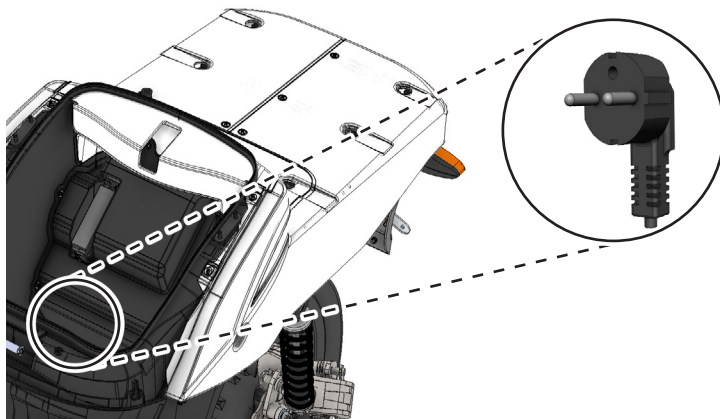
- Charger le scooter totalement prend environ 5 heures.
- Une charge à 50 % prend environ 1 heure ½.
- Une surcharge de la batterie est impossible.

## Durée de vie de la batterie

- Charger la batterie chaque fois qu'elle est sensiblement déchargée.
- Ne pas laisser la batterie vide pendant une période prolongée.
- Lorsqu'il n'est pas utilisé, garer le scooter conformément à la procédure de stockage prolongé (voir page 136).

## Charge rapide

- Lors de la charge, un changement de mode rapide peut être sélectionné au moyen du menu sur écran.
- Nous recommandons d'utiliser le mode de charge rapide uniquement lorsque le scooter est requis dès que possible.
- Le mode de charge rapide est susceptible de réduire la longévité de la batterie.



Ne jamais plier, couper ou marcher sur le câble de charge.  
Un câble endommagé doit être immédiatement remplacé !

# Fusibles et batterie 12 V

## La batterie 12 V se trouve sous le siège

- Enlever le couvercle en plastique pour l'atteindre.
- La batterie 12 V alimente les systèmes électroniques du véhicule lorsque le scooter est inactif et est responsable de son démarrage.
- La batterie 12 V charge depuis la batterie principale lorsque le scooter est utilisé.
- Une maintenance appropriée et ne pas laisser la batterie s'épuiser assurent que la batterie 12 V ne se décharge jamais complètement.
- Si la batterie 12 V est déchargée, elle peut être chargée avec une source d'alimentation 12 V externe.
- Les batteries complètement déchargées (à moins de 10 V) devraient être remplacées.

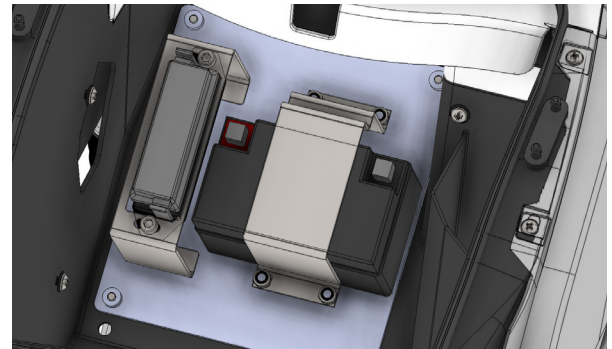


## Mesures de sécurité

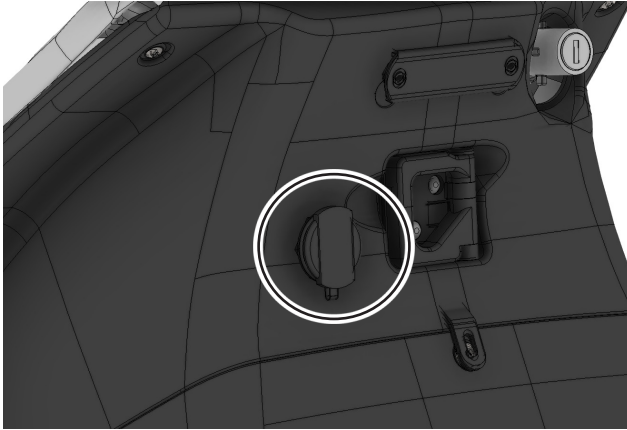
- Mettre le scooter hors service avant de remplacer les fusibles.
- Remplacer les fusibles fondus uniquement avec des fusibles automobiles appropriés de même puissance listés dans le tableau ci-dessus.
- S'assurer que les fusibles sont adaptés au porte-fusible.
- Lors de la charge de la batterie, bien brancher les connecteur POSITIF (rouge) et NÉGATIF (noir). Connecter en premier le POSITIF, puis le NÉGATIF. Après la charge, déconnecter en premier le NÉGATIF puis le POSITIF.
- Des problèmes récurrents avec les fusibles et la batterie 12 V peuvent être des indicateurs de dysfonctionnement électrique grave. Contacter un centre SAV agréé aux fins de diagnostic et de réparation.

## Les fusibles suivants se trouvent également sous le siège.

	Puissance nominale	Fonction
1	<b>20 A</b>	Batterie 12 V
2	<b>7,5 A</b>	Éclairage
3	<b>5 A</b>	Klaxon
4	<b>10 A</b>	Prise 12 V
5		Emplacement inutilisé
6		Emplacement inutilisé
7	<b>7,5 A</b>	Convertisseur CC/CC
8	<b>30 A</b>	Chargeur



# Prise 12 V



## Prise allume-cigare 12 V

- La prise peut être utilisée pour charger des appareils électroniques tels que des téléphones, des lecteurs MP3 ou des appareils GPS.
- Lors de l'utilisation d'un appareil externe, s'assurer qu'il est bien fixé sur le scooter ou le pilote et ne tombera pas pendant la conduite.
- Ne pas utiliser des appareils haute puissance tels que des chauffages.



Ne pas dépasser une puissance de sortie de 180 W.

# Éclairage

Le scooter est équipé des éclairages suivants :

## Phares

- phare (feu de croisement/de route)
- Feu de position
- Clignotants

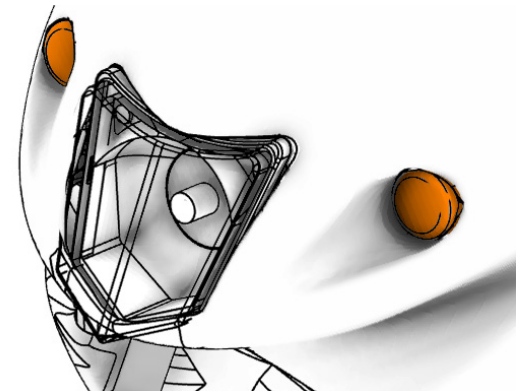
## Feux arrière

- Feu de stop
- Feu de position
- Clignotants

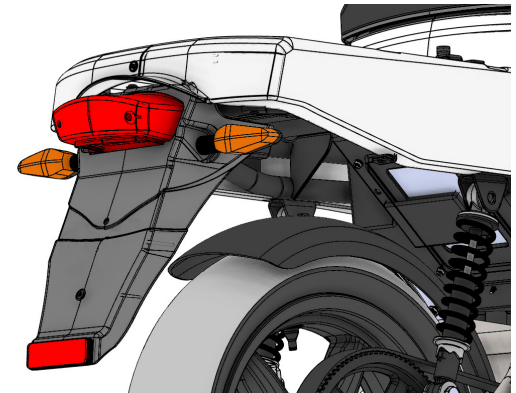
## Ampoules utilisées

Phare	H4 12 V 35 W
Feu de position	W3W 12 V 3 W
Feu arrière	LED 12 V
Feu de stop	LED 12 V
Clignotants	LED 12 V
Éclairage de plaque d'immatriculation	LED 12 V

Les diodes à économie d'énergie LED utilisées sur le scooter ne requièrent pas de remplacement régulier. Si des LED sont endommagées, contacter une station SAV agréée aux fins de réparation.

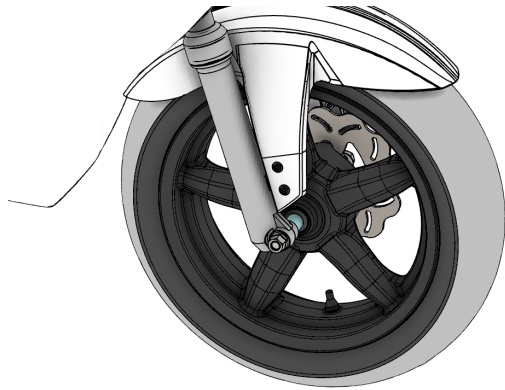


Phares

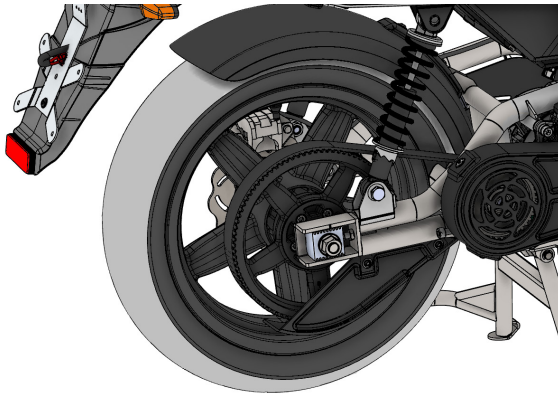


Feux arrière

# Pneumatiques



Roue avant



Roue arrière

## Types de pneus

Le véhicule est livré équipé de pneus 130/60 R13 toutes saisons avec une option pour 120/70 R13.

## Pression des pneus

Pneu	Sans charge	Avec charge
Avant	2,2 bars	2,2 bars
Arrière	2,2 bars	2,5 bars

## Contrôle de la pression

- Avant la conduite, contrôler si les pneus présentent des détériorations et une éventuelle perte de gonflage.
- Il convient de contrôler la pression chaque semaine et après une période d'arrêt prolongée.
- Une pression d'air trop faible ou des pneus usés ont un impact négatif sur les performances du scooter et réduisent son autonomie.

## Pneus détériorés

- La profondeur sûre minimale des sculptures est de 2 mm.
- Les pneumatiques endommagés doivent être remplacés dès que possible en utilisant des pneus recommandés par GOVECS.
- Les pneus ne doivent jamais être réparés. Une fois endommagés, leur utilisation n'est pas sûre.

FR

# Freins

Le dispositif de freinage est critique pour la sécurité du véhicule. Il est impératif d'en prendre en soin pour sa sécurité personnelle.

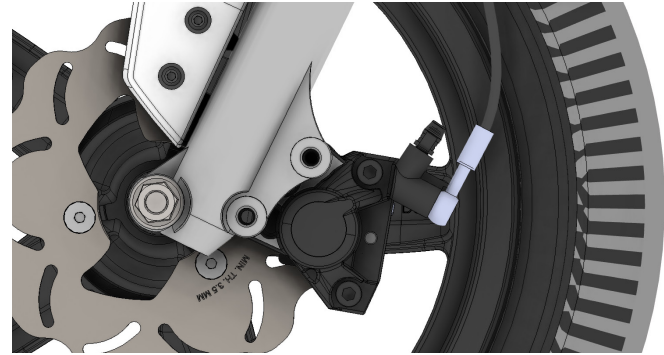
## Inspecter régulièrement les freins.

- Contrôler le niveau de liquide de frein.
- Inspecter les durites de frein pour détecter toute fuite.
- S'assurer que l'épaisseur des plaquettes de frein est supérieure à 2 mm.
- S'assurer que l'épaisseur des disques de frein est supérieure à 3 mm.
- Réaliser un contrôle de performance.

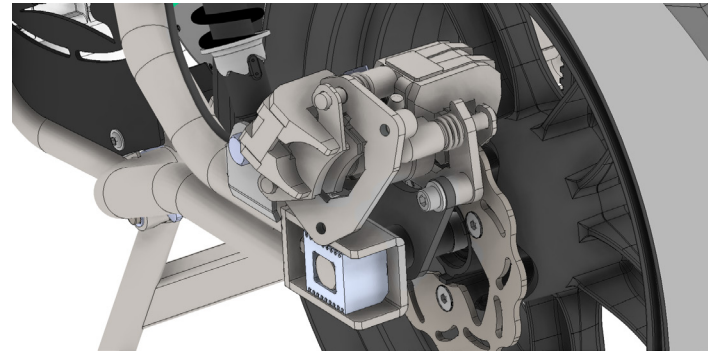
Pour contrôler la performance des frein, pousser le scooter sur plusieurs mètres. Tout en le poussant, actionner le frein avant puis le frein arrière, l'un après l'autre. Il ne doit pas être possible de déplacer le scooter avec les freins actionnés. Maintenir le guidon fermement pour empêcher que le scooter ne chute.



La maintenance et la réparation des frein sont strictement réservées aux centres de SAV agréés.



Frein avant



Frein arrière

# Niveau de liquide de frein

## Contrôler le niveau de liquide de frein

Il convient de contrôler le niveau de liquide de frein avant chaque déplacement.

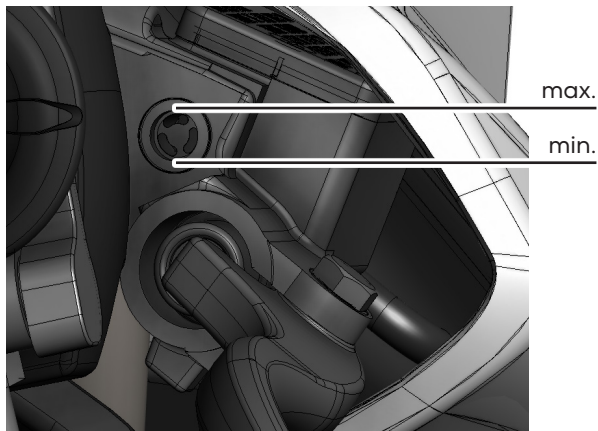
Pour ce faire :

- Positionner le scooter sur la béquille centrale sur un sol plan.
- Tourner le guidon vers la gauche.
- Contrôler le niveau sur le regard latéral derrière le réservoir droit, derrière le levier de frein.
- Renouveler l'opération avec le réservoir gauche.
- Le liquide de frein doit se trouver entre le bord supérieur et le bord inférieur du regard latéral.

Aucun liquide dans le regard est synonyme d'endommagement du système de freinage.



En cas de dommage sur le système de freinage, il est interdit d'utiliser le scooter. Contacter un centre SAV agréé aux fins de réparation.





## Nettoyage

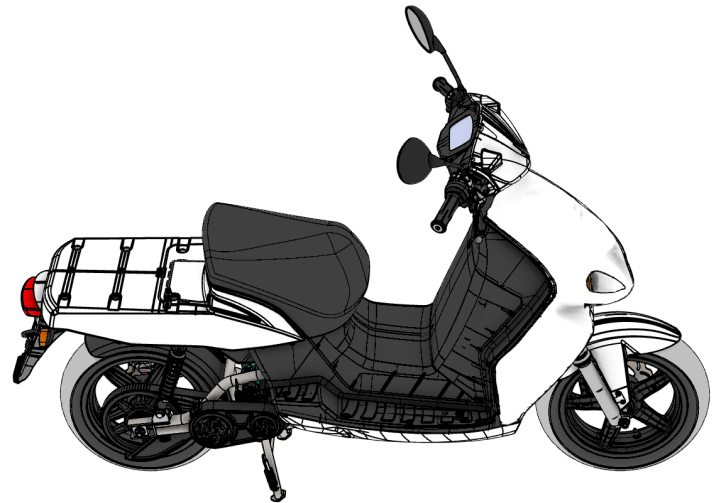
- Mettre le scooter hors service avant de procéder au nettoyage.
- Nettoyer le véhicule avec une éponge et de l'eau propre.
- Ne pas utiliser d'éponge dure à récurer ou de brosses qui pourraient rayer les panneaux ou d'autres composants délicats.
- Nettoyer les éléments vernis uniquement avec des détergents appropriés.
- Nettoyer les panneaux en plastique avec des détergents appropriés uniquement.
- Ne pas utiliser de détergents anti-corrosifs sur le système de freinage.
- Ne jamais nettoyer le scooter au nettoyeur haute pression.

## Stockage

- Stocker le véhicule dans un lieu protégé des intempéries telles que la pluie, la neige, la pollution et une forte humidité.
- Lorsqu'il est garé à l'extérieur, protéger le véhicule avec une bâche respirante. Les recouvrements en matériau synthétique peuvent provoquer de la condensation d'eau sur le scooter, ce qui entraînerait la formation de corrosion.
- Pour un stockage prolongé (par ex. pendant l'hiver), nous recommandons de charger la batterie puis de retirer le fusible de batterie 12 V (20 A) - consulter 'Fusibles & batterie 12 V' (page 22). Tous les 3 mois, remettre le fusible en place, charger la batterie 12 V si nécessaire, et laisser le fusible en place pendant au moins 24 heures.

## Maintenance

- Procéder au contrôle pré-conduite recommandé (page 113).
- Respecter la périodicité de maintenance recommandée (page 138).
- Contacter une station de SAV agréée pour la maintenance.
- Ne procéder à aucune modification non autorisée du véhicule.



# Fiche de spécifications

Nom du véhicule	GOVECS PRO CARGO		Autonomie	109 km (45 km/h, 2 batteries)	96 km
Catégorie du véhicule	L1e	L3e		56 km (45 km/h, 1 batterie)	
Longueur	1940 mm			150 km (25 km/h, 2 batteries)	
Largeur	750 mm			66 km (25 km/h, 1 batterie)	
Hauteur	1165 mm (sans les rétroviseurs)		Tension de courroie	1 <sup>er</sup> étage : 130 (+20/-0) Hz	
Poids	129 kg (avec 2 batteries)	129 kg		2 <sup>ème</sup> étage : 100 (+20/-0) Hz	
	115 kg (avec 1 batterie)			Type de frein	Disques de frein avant et arrière
Vitesse maximale	45 km/h ou 25 km/h	65km/h	Liquide de frein	DOT 4	
Types de pneu	Toutes saisons 130/60 R13 (en option) 120/70 R13		Éclairage	Phare : H4 12 V 35 W	
Pression des pneus	Avant : 2,2 bars			Feu de position : W3W 12 V 3 W	
	Arrière : 2,2 bars (2,5 bars avec charge)			Feux arrière : LED 12 V	
Écran	Écran LCD 4,4" Bosch			Feu de stop : LED 12 V	
Moteur	Unité d'entraînement Bosch 48 V			Clignotants : LED 12 V	
Batterie	1 ou 2 batteries 2,4 kWh Lithium		Charge de siège	max. 125 kg	
Chargeur	Chargeur intégré 1200 W		Capacité du coffre	max. 25 kg	
Temps de charge	100 % approx. 5 heures		Compartment sous le siège	max. 5 kg	
	50 % en approx. 1,5 heures		Passagers	0 personne (seul le conducteur)	

# Programme de maintenance

Pour sa sécurité et pour prolonger la durée de vie du véhicule, respecter le programme de maintenance.

Éléments	Fréquence x 1000 km	Mileage														
		0,5	3,5	7,0	10,5	14,0	17,5	21,0	24,5	28,0	31,5	35,0	38,5	42,0		
1 Pignons d'entraînement	Inspection tous les 3500 km	I	I	I	I	I	I	R	I	I	I	I	I	R	Remplacer en cas d'endommagement	
2 Came excentrique d'entraînement	Inspection tous les 3500 km	I	I	I	I	I	I	I	I	I	I	I	I	I	Remplacer la graisse au cuivre tous les 3500 km	
3 Pneus avant/arrière	Inspection tous les 3500 km	Remplacer si la profondeur est inférieure à 2 mm												Remplacer en cas d'endommagement		
4 Plaquettes de frein avant/arrière	Inspection tous les 3500 km	Remplacer si l'épaisseur des plaquettes est inférieure à 2 mm												Remplacer en cas d'endommagement		
5 Disques de frein arrière/avant	Inspection tous les 3500 km	Remplacer si l'épaisseur des disques est inférieure à 3 mm												Remplacer en cas d'endommagement		
6 Courroies d'entraînement	Inspection tous les 3500 km	I	I	I	R	I	I	R	I	I	R	I	I	R	Remplacer tous les 10 500 km	
7 Liquide de frein	Inspection tous les 3500 km	I	I	I	I	I	I	I	I	I	I	I	R	I	Remplacer tous les 2 ans ou tous les 40 000 km	
8 Roulements de roue avant/arrière	Inspection tous les 3500 km	I	I	I	I	I	R	I	I	I	I	R	I	I	Remplacer en cas d'endommagement	
9 Roulements de colonne de direction	Inspection tous les 3500 km	I	I	I	I	I	R	I	I	I	I	R	I	I	Remplacer en cas d'endommagement	
10 Amortisseur arrière	Inspection tous les 3500 km	I	I	I	I	I	I	I	I	I	I	I	I	I	Remplacer en cas d'endommagement	
11 Fourche avant	Inspection tous les 3500 km	I	I	I	I	I	I	I	I	I	I	I	I	I	Remplacer en cas d'endommagement	
12 Béquille centrale	Inspection et lubrification tous les 3500 km	I	I	I	I	I	I	I	I	I	I	I	I	I	Remplacer en cas d'endommagement	
13 Accélérateur	Inspection tous les 3500 km	I	I	I	I	I	I	I	I	I	I	I	I	I	Remplacer si endommagé ou collant	
14 Éclairage	Inspection tous les 3500 km	I	I	I	I	I	I	I	I	I	I	I	I	I	Remplacer en cas d'endommagement	
15 Siège/Verrou du siège	Inspection tous les 3500 km	I	I	I	I	I	I	I	I	I	I	I	I	I	Remplacer en cas d'endommagement	
16 Vis/écrous critiques	Inspection tous les 3500 km	I	I	I	I	I	I	I	I	I	I	I	I	I	Remplacer en cas d'endommagement	
17 Confirmation de couple des bornes de batterie (« + », « - »)	Inspection tous les 3500 km	I	I	I	I	I	I	I	I	I	I	I	I	I	POSITIF : 15Nm, NÉGATIF : 9 Nm	
18 Confirmation de couple des	Inspection tous les 3500 km	I	I	I	I	I	I	I	I	I	I	I	I	I	20 Nm	

<b>REMARQUE :</b>	I - inspection (nettoyage, réglage, lubrification si nécessaire)	R - remplacer
-------------------	--	---------------



Contactez un centre de SAV agréé pour l'inspection. Ne pas respecter le programme de maintenance entraînera la caducité de la garantie. Chaque inspection doit être documentée. Ne pas tenter de réparer le scooter soi-même.

# Carnet d'entretien

NIV: \_\_\_\_\_

Planifiée inspection	Kilométrage réel	Date	Prochaine inspection	Signature	Tampon
500 km					
3500 km					
7000 km					
10500 km					

FR

# Carnet d'entretien

Planifiée inspection	Kilométrage réel	Date	Prochaine inspection	Signature	Tampon
14000 km					
17500 km					
21000 km					
24500 km					

FR

# Carnet d'entretien

Planifiée inspection	Kilométrage réel	Date	Prochaine inspection	Signature	Tampon
28000 km					
315000 km					
35000 km					
38500 km					

FR

# Contact

---

## **GOVECS AG**

Bavariafilmplatz 7, Geb. 3a

82031 Grünwald

Germany



FR

[www.govecsgroup.com](http://www.govecsgroup.com)

Service Hotline: +49 800 788 788 30

[service@govecs.com](mailto:service@govecs.com)

Online-Shop: [www.govecs-scooter.com](http://www.govecs-scooter.com)

# Version history

---

## v 1.1

- first release

## v 1.2

- updated company logo
- changed product name (Govecs GO!T is now Govecs PRO CARGO)
- added L3e data (page 29)
- updated torque values for battery cables (9>15 Nm; 5>9 Nm) - page 30

## v 1.3

- corrected max. loading capacity values
- corrected belt tension values in specification sheet

## v 1.3.1

- updated address and contact information
-





## Informazioni di base

Introduzione .....	146
Informazioni modello .....	147
Sicurezza .....	148
Guida sicura .....	149

## Panoramica veicolo

Componenti principali .....	150
Elementi di guida.....	151
Bauletto posteriore .....	152
VIN e targa regolamentare.....	153

## Comandi

Commutatori a sinistra.....	154
Commutatori a destra .....	155
Display - elementi.....	156
Display - dati.....	157
Display - impostazioni.....	158
Avviare lo scooter .....	159
Accensione.....	160

## Componenti esterni

Cavalletto centrale.....	161
Bauletto e portapacchi.....	162
Gancio per borse.....	163
Specchietti .....	164

## Sistema elettrico

Caricare la batteria.....	165
Fusibili e batteria 12V.....	166
Presca 12V .....	167

## Attrezzatura di sicurezza

Luci .....	168
Pneumatici.....	169
Freni .....	170
Livello del liquido dei freni.....	171

## Istruzioni utente

Cura del veicolo.....	172
-----------------------	-----

## Dati tecnici

Scheda delle specifiche .....	173
Programma di manutenzione .....	174
Opuscolo informativo .....	175

## Note finali

Contatti.....	178
---------------	-----

# Introduzione



## **Caro Utente dello scooter GOVECS,**

Siamo contenti della tua scelta di acquistare lo scooter GOVECS e ti diamo il benvenuto nel numeroso gruppo di utenti degli scooter GOVECS.

Il presente manuale contiene le istruzioni per uso, manutenzione e cura del tuo scooter GOVECS. Per la tua sicurezza e il comfort d'uso ti consigliamo di leggere attentamente il libretto di istruzioni prima del primo utilizzo.

Effettuare un'adeguata manutenzione e il rispetto delle istruzioni relative alla cura e all'utilizzo, presentate in questo manuale, nonché regolari revisioni nei punti vendita della GOVECS autorizzati garantiscono un funzionamento senza avarie.

**Ti auguriamo buon viaggio!**

# Informazioni modello

Questo libretto di istruzioni riguarda lo scooter GOVECS PRO CARGO, modello del 2019, dotato di sistema Bosch LEM (Light Electric Mobility).



IT

## Per la tua sicurezza familiarizza con le seguenti istruzioni.



Ogni volta che compare nel manuale questo simbolo indica una situazione in cui il mancato rispetto delle istruzioni potrebbe causare danni allo scooter o lesioni all'utente.



Gli accumulatori installati negli scooter GOVECS sono soggetti agli obiettivi di riciclaggio ai sensi della Direttiva 2006/66/EC del Parlamento europeo e del Consiglio del 6 settembre 2006 sulle batterie e gli accumulatori e sui rifiuti di batterie e accumulatori che abroga la Direttiva 91/157/EEC. Batterie danneggiate, esauste e malfunzionanti devono essere rese ai punti vendita o ai punti di raccolta GOVECS autorizzati dal produttore.

- Il veicolo può circolare sulle strade pubbliche dell'Unione europea. È necessario attenersi alle normative locali per quanto riguarda i limiti di età, la patente di guida, ecc.
- Lo scooter è progettato per essere usato su strade solide. Non può essere usato come veicolo fuoristrada.
- Il veicolo è progettato per prestazioni ottimali a temperatura ambiente tra 5 °C e 35 °C. È possibile un funzionamento con prestazioni ridotte a temperatura ambiente tra -7,5 °C e 40 °C.
- Non è permesso smontare le batterie.
- Si consiglia di effettuare qualsiasi riparazione a componenti dello scooter presso un Punto vendita autorizzato.
- GOVECS non si assume responsabilità per un uso inappropriato del veicolo.
- Ti raccomandiamo di leggere attentamente il presente manuale al fine di usare il veicolo in modo sicuro e adeguato.

## Prima di mettersi alla guida

Prima di metterti alla guida assicurati che:

- La spina di caricamento sia scollegata dalla presa di corrente e il cavo di caricamento sia riposto all'interno del bauletto.
- La batteria sia caricata a sufficienza.
- L'illuminazione, gli indicatori di direzione e il clacson funzionino correttamente.
- Gli specchietti siano regolati secondo necessità.
- I pneumatici abbiano una corretta pressione dell'aria e una profondità del battistrada appropriata.
- I freni funzionino adeguatamente.
- Il livello del liquido dei freni sia corretto.
- Le pastiglie dei freni e i dischi non siano consumati.
- Il manubrio ruoti completamente a destra e a sinistra senza opporre resistenza.

## Abbigliamento

- Indossa sempre un casco da moto.
- L'abbigliamento dovrebbe essere attillato e comodo.
- Indossa scarpe adeguate (no scarpe a tacco alto, ciabatte, calzature aperte e simili)

## Tecnica di guida

- Segui sempre le norme del codice della strada.
- Tieni il manubrio con entrambe le mani.
- Guida con particolare cautela su superfici bagnate, sporche, acciottolato, ghiaccio o neve.
- Non usare il cellulare o altri dispositivi che potrebbero essere fonte di distrazione mentre guidi.

## Carichi e passeggeri

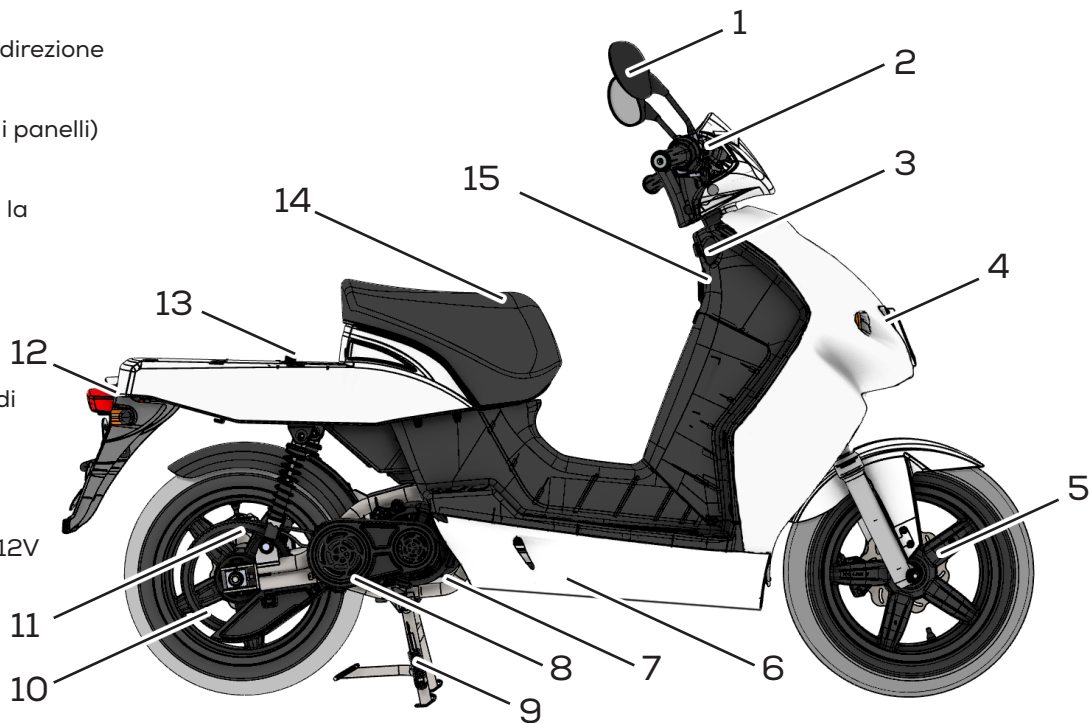
- Trasporta carichi soltanto nell'apposito portapacchi sul retro, nel bauletto sotto il sedile o il gancio per borse.
- Il peso massimo consentito nel portapacchi è 25 kg.
- Lo scooter è omologato per 1 persona (max. 125 kg)

## Al termine della guida

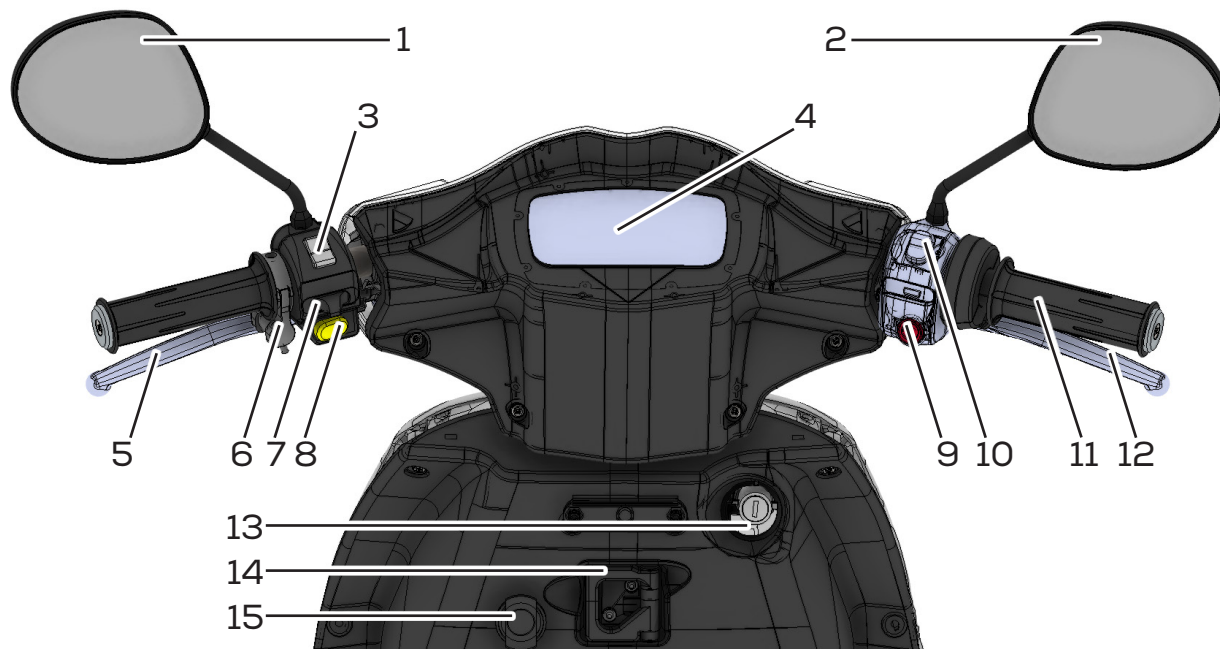
- Controlla se la batteria necessita di essere caricata.
- Lascia lo scooter in un luogo al sicuro da furti o atti vandalici e in cui non blocca il traffico.

# Componenti principali

1. Specchietti
2. Sterzo
3. Accensione
4. Luci anteriori e indicatori di direzione
5. Ruota e freno anteriori
6. Batteria e caricatore (sotto i pannelli)
7. Motore (sotto i pannelli)
8. 1° stadio della catena (sotto la copertura)
9. Cavalletto centrale
10. Ruota e freno posteriori
11. 2° stadio della catena
12. Luci posteriori e indicatori di direzione
13. Portapacchi
14. Sedile e bauletto
15. Gancio per carichi e presa 12V



# Elementi di guida



- 1. Specchietto sinistro
- 2. Specchietto destro
- 3. Abbaglianti/anabbaglianti
- 4. Display

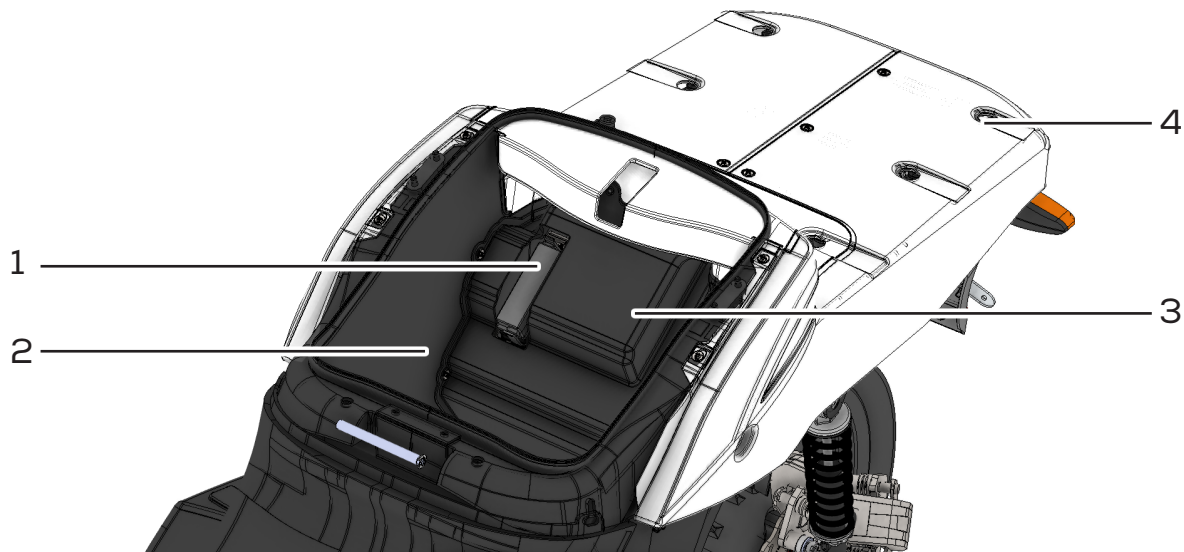
- 5. Leva del freno posteriore
- 6. Selezionatore del menu
- 7. Indicatori di direzione
- 8. Clacson

- 9. Pulsante GO
- 10. Pulsante di spegnimento d'emergenza
- 11. Acceleratore

- 12. Leva del freno anteriore
- 13. Accensione
- 14. Gancio per borse
- 15. Presa 12V



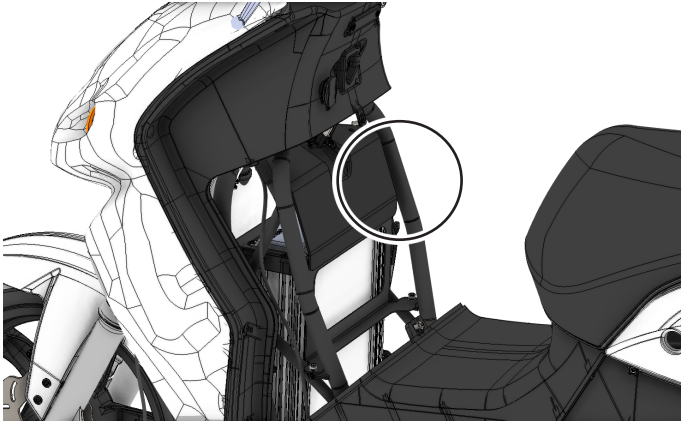
# Bauletto posteriore



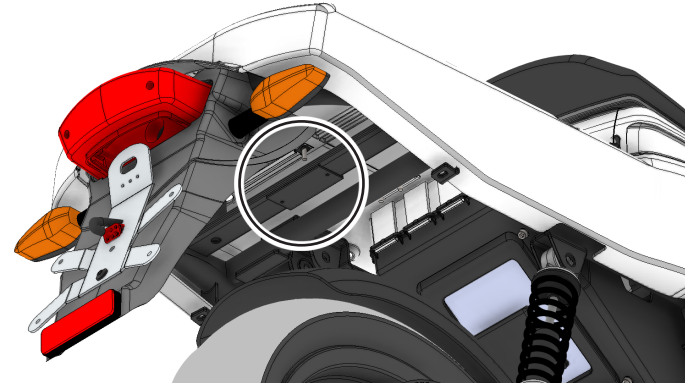
(qui mostrato con il sedile rimosso)

1. Fusibili
2. Bauletto
3. Batteria 12V (sotto la copertura)
4. Punti di montaggio per il portapacchi (6 a scooter)

# VIN e targa regolamentare



Il numero di identificazione del veicolo si trova sul lato destro del telaio sotto al pannello verticale.



La targa regolamentare si trova al di sotto del portapacchi.

IT

# Commutatori a sinistra

## Abbaglianti/anabbaglianti

- Cambia la luce di posizione anteriore.
- Usa gli abbaglianti soltanto nel rispetto delle norme del codice della strada.
- Ricordati che gli abbaglianti possono accecare gli altri guidatori.

## Selezionatore del menu

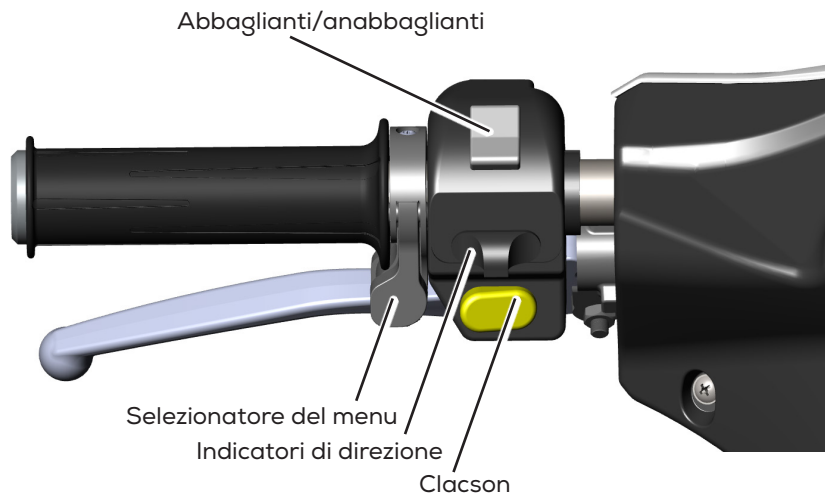
- Si usa per muoversi nel menu del display.
- Durante la guida si usa per cambiare la modalità di guida

## Indicatori di direzione

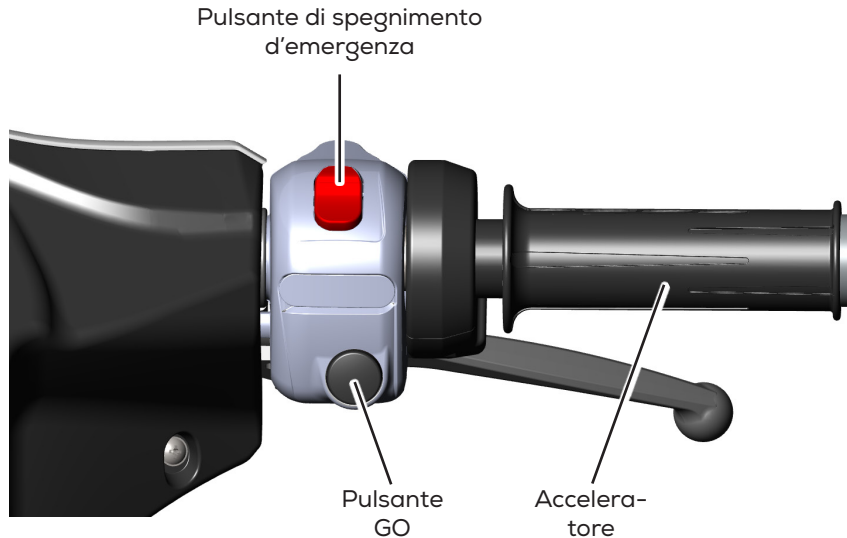
- Sposta a sinistra o a destra per attivarli.
- Premere per disattivarli.

## Clacson

- Usa il clacson soltanto nel rispetto delle norme del codice della strada.
- Un uso continuo può danneggiare il clacson.



# Commutatori a destra



## Pulsante di spegnimento d'emergenza

- Quando è inserito, impedisce di guidare il veicolo anche con l'accensione su ON.
- Inseriscilo sempre quando parcheggi lo scooter.
- Disinseriscilo soltanto quando sei pronto a riprendere la guida.

## Pulsante GO

- Si usa per confermare la selezione del menu del display.
- Cambia i dati di guida mostrati durante la guida.

## Acceleratore

- Giralo all'indietro per accelerare.
- Rilascialo per rallentare (freno del motore).
- Rispetta sempre il codice della strada e i limiti di velocità.

Non sollevare mai lo scooter con la manopola dell'acceleratore.

Non porre mai più di 20 kg di forza laterale sulla manopola dell'acceleratore.



Quando trasporti lo scooter, non legarlo o fissarlo mai tramite la manopola dell'acceleratore.

# Display - elementi



I seguenti indicatori compaiono sul display LCD.

# Display - dati



Il display LCD 4,4" serve da cruscotto dello scooter e fornisce all'utente informazioni e dati di guida. Il menu viene attivato con i pulsanti del Selezionatore del menu (Up/Down) e Confirm (Go) situati sui commutatori del manubrio.

Inoltre, serve come dispositivo di comunicazione con l'app uDrive Connect, che puoi installare sul tuo smartphone.

## Modalità di guida

Si può cambiare modalità di guida con i pulsanti Su (Up) e Giù (Down). Sono disponibili le seguenti modalità:

- **NEUTRAL** - l'acceleratore è disattivato e il motore è inattivo.
- **GO** - modalità di risparmio con la maggiore autonomia
- **CRUISE** - fornisce le maggiori accelerazione e capacità in salita.
- **CRAWL** (Avanti e indietro) - la modalità più lenta utile per parcheggiare e fare manovre in luoghi stretti.

La modalità Boost non è disponibile sugli scooter per il trasporto.

## Dati di guida

Premendo il pulsante GO si possono cambiare i seguenti tipi di dati mostrati sullo schermo:

- Km totali
- Km giornalieri
- Tempo di guida giornaliero
- Velocità media
- Consumo di potenza medio

# Display - impostazioni

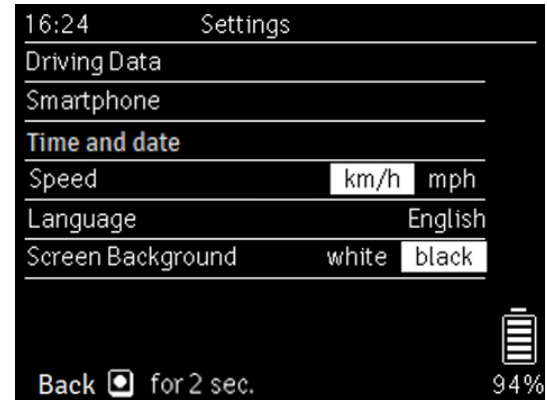
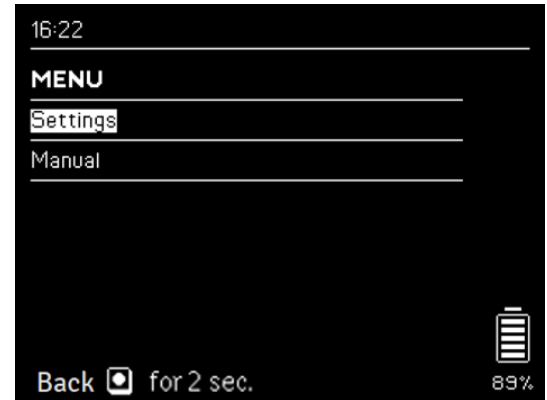
Sullo schermo di avviamento o in modalità NEUTRAL, tenendo premuto il pulsante GO per 2 secondi si apre il menu impostazioni.

Le seguenti opzioni sono disponibili nel menu:

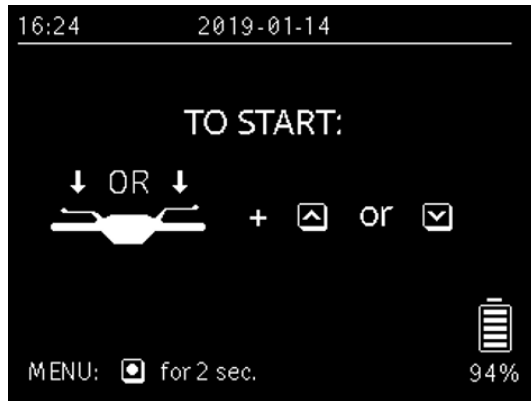
- **Manuale** - brevi istruzioni sul funzionamento del veicolo.
- **Dati di guida** - mostra i km totali, i km giornalieri, il tempo di guida giornaliero, Ø velocità, Ø consumo. La funzione RESET imposta i valori a zero.
- **Smartphone** - consente di sincronizzare lo scooter con il cellulare dell'utente tramite Bluetooth.

Sono necessarie una connessione Bluetooth e l'app uDrive Connect installata.

- **Ora e data** - per cambiare l'ora, la data e il formato dell'ora.
- **Velocità** - cambia tra km/h e mph (miglia all'ora)
- **Lingua** - cambia tra le lingue disponibili (lingue attualmente disponibili: inglese, tedesco, spagnolo, francese e italiano).
- **Sfondo dello schermo** - cambia tra nero e bianco.



# Avviare lo scooter



schermo di avviamento

## Per avviare lo scooter

- Assicurati che la batteria sia caricata a sufficienza (pagina 165).
- Metti il cavalletto centrale (pagina 161).
- Gira l'accensione (pagina 160).
- Quando compare lo schermo di avviamento, premi una qualsiasi delle leve del freno e i pulsanti Up o Down sul Selezionatore del menu.
- Rilasciare il pulsante di spegnimento d'emergenza (pagina 155).



# Accensione

## Accensione su ON (posizione di guida)

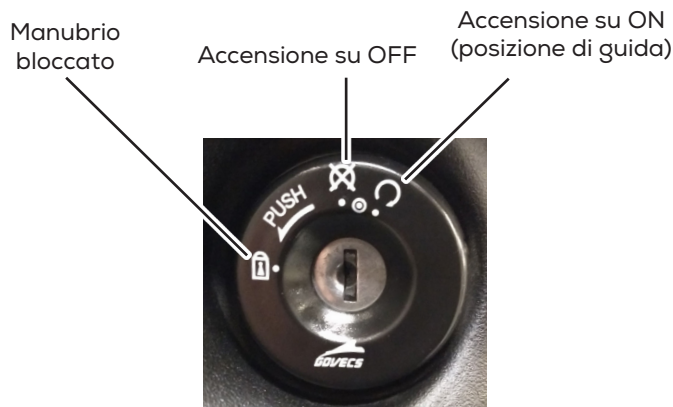
- Tutte le funzioni sono attive.
- Lo scooter è pronto per la guida.
- La chiave non può essere rimossa.

## Accensione su OFF

- Tutte le funzioni sono disattivate.
- Il manubrio non è bloccato.
- Lo scooter può essere spinto.
- Si possono effettuare in modo sicuro lavori di manutenzione, ecc.
- La chiave può essere rimossa.

## Manubrio bloccato

- Tutte le funzioni sono disattivate.
- Il manubrio è bloccato.
- Si possono effettuare in modo sicuro lavori di manutenzione, ecc.
- La chiave può essere rimossa.



Un veicolo elettrico non emette suoni quando è acceso!

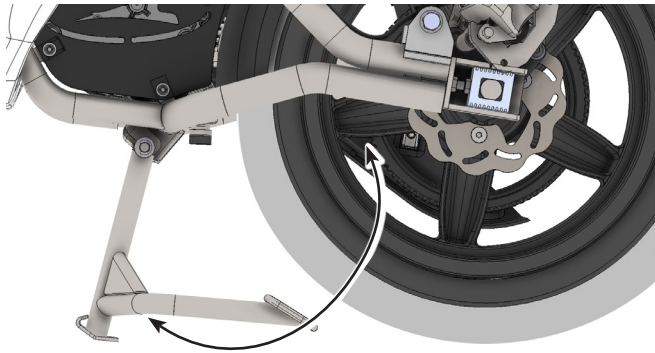
# Cavalletto centrale

## Togliere lo scooter dal cavalletto

- Togli lo scooter del cavalletto prima di sederti sul sedile.
- Afferra la manopola sinistra del manubrio e il portapacchi e spingi in avanti lo scooter.
- Il motore resta disattivato finché il cavalletto è abbassato.

## Posizionare lo scooter sul cavalletto

- Per mettere lo scooter sul cavalletto, afferra la manopola sinistra del manubrio e spingi il cavalletto verso il basso con un piede.
- Entrambe le gambe del cavalletto devono poggiare saldamente sul terreno.



Non sollevare mai lo scooter con la manopola dell'acceleratore. Afferralo soltanto per le parti solide del manubrio o del telaio.

IT

# Bauletto e portapacchi

## Sede

- Il carico massimo è 125 kg.

## Chiusura del sedile

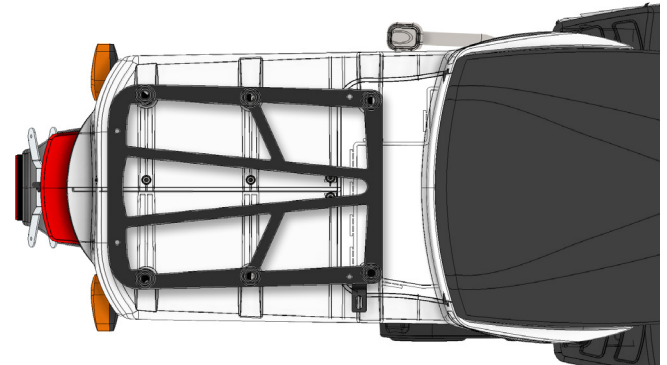
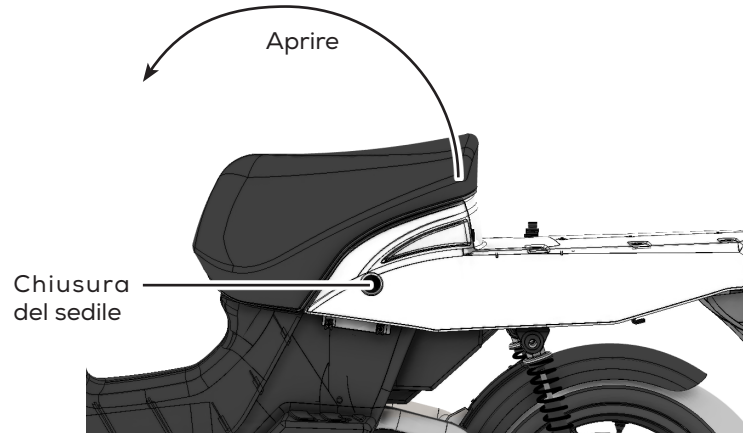
- Sblocca il sedile con la chiave di accensione.
- Apri il sedile in avanti.
- Non chiudere mai il sedile con la chiave all'interno!

## Bauletto

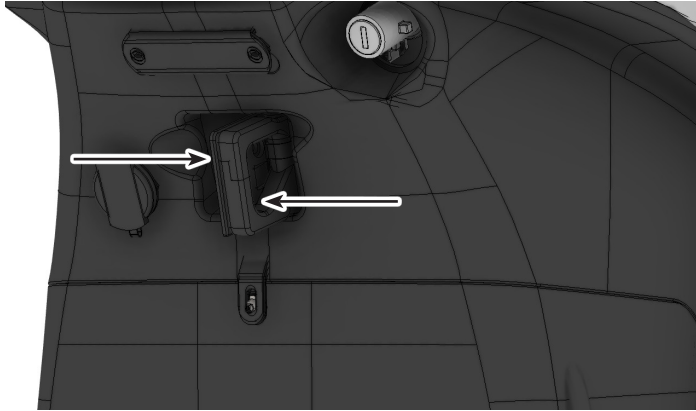
- Il carico massimo è 5 kg.
- Il bauletto contiene anche la batteria 12V e i fusibili.

## Portapacchi

- Il carico massimo è 25 kg.
- Può essere installato qualsiasi tipo di portapacchi purché possa essere montato senza usare attrezzi.



# Gancio per borse



## Usare il gancio per borse

- Il gancio può essere usato per trasportare una borsa piccola o altri oggetti dotati di cinghia
- Per appendere la borsa, slacciare la presa del gancio nelle direzioni mostrate nella figura.
- Non appendere pesi superiori a 3 kg.



Non superare mai il peso massimo o trasportare oggetti più larghi dello scooter.

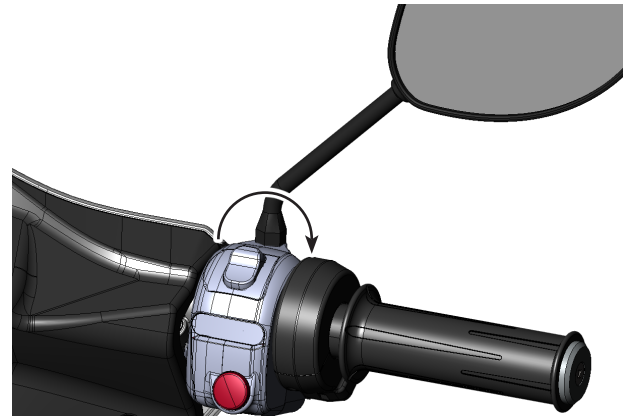
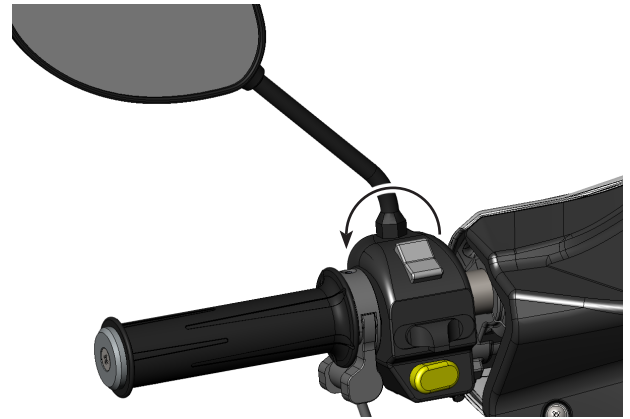
# Specchietti

## Regolare gli specchietti

- Allenta il dado alla base dello specchietto con una chiave inglese da 14 mm.
- Per lo specchietto sinistro, gira il dado a sinistra.
- Per lo specchietto destro, gira il dado a destra.
- Ruota lo specchietto finché non vedi con chiarezza l'area dietro allo scooter.
- Assicurati di avere una visuale libera di ciò che ti circonda, specialmente quando è installato il portapacchi.
- Stringi saldamente i dadi degli specchietti con una chiave inglese prima di metterti alla guida.



Non guidare uno scooter con uno specchietto danneggiato o regolato non correttamente!



# Caricare la batteria

## Istruzioni generali

- Il veicolo è dotato di un caricatore a bordo.
- Il cavo di caricamento è situato all'interno del bauletto.
- Può essere usato con prese elettriche 16A/240V di tipo E/F.
- Non inserire la spina di più di 1 scooter a una singola fase.
- È possibile caricare la batteria con temperature superiori a 5°C.
- Il caricamento può essere interrotto in qualsiasi momento.

## Stato del caricamento

- Lo stato del caricamento è indicato dal LED sul display.
- La luce verde fissa indica che il caricamento è in corso.
- Nessuna luce indica che il caricamento è completo.

## Tempo di caricamento

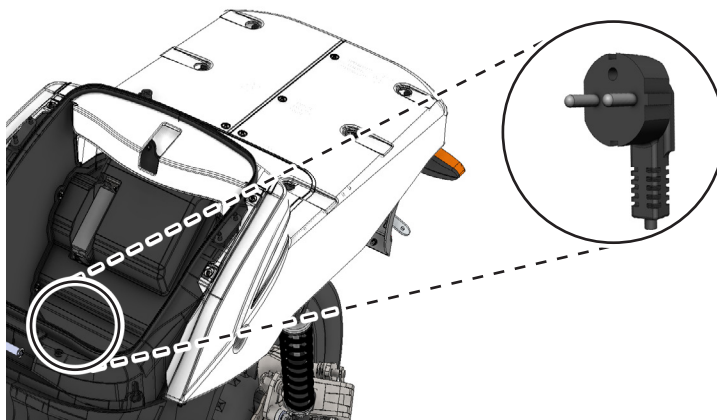
- Caricare completamente lo scooter richiede circa 5 ore.
- Caricarlo al 50% richiede circa 1½ ora.
- Non è possibile sovraccaricare la batteria.

## Durata della batteria

- Carica la batteria ogni volta che è considerevolmente consumata.
- Non lasciare vuota la batteria per un tempo prolungato.
- Quando non è in uso, riponi da parte lo scooter secondo la procedura di riposo prolungato (vedi pagina 172).

## Carica rapida

- Durante il caricamento, può essere selezionata una modalità di carica rapida attraverso il menu del display.
- Ti raccomandiamo di usare la modalità di carica rapida soltanto quando hai urgenza di utilizzare lo scooter.
- La modalità di carica rapida può accorciare la durata della batteria.

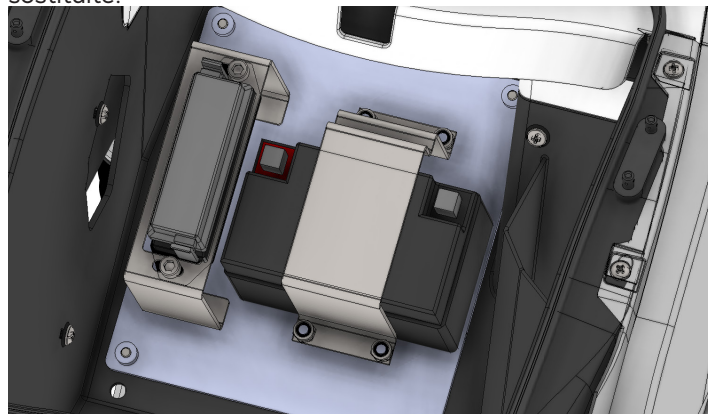


Non piegare, tagliare o pestare mai il cavo di caricamento.  
Un cavo rovinato deve essere immediatamente sostituito!

# Fusibili e batteria 12V

## La batteria 12V è situata sotto al sedile

- Rimuovi la copertura in plastica per prenderla.
- La batteria 12V alimenta i sistemi elettronici del veicolo quando lo scooter è inattivo ed è responsabile per il suo avviamento.
- La batteria 12V si carica dalla batteria principale quando lo scooter è in uso.
- Con una manutenzione adeguata ed evitando che la batteria principale si esaurisca ci si può assicurare che la batteria 12V non si scarichi mai.
- Se la batteria 12V è scarica, può essere caricata con una fonte di alimentazione 12V esterna.
- Batterie molto scariche (al di sotto di 10 V) devono essere sostituite.



## Anche i seguenti fusibili si trovano sotto al sedile.

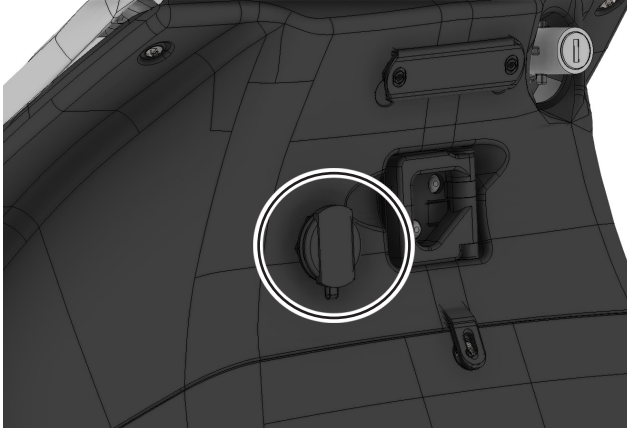
	Classificazione	Funzione
1	<b>20 A</b>	Batteria 12V
2	<b>7,5 A</b>	Luci
3	<b>5 A</b>	Clacson
4	<b>10 A</b>	Preso 12V
5		fessura non in uso
6		fessura non in uso
7	<b>7,5 A</b>	Convertitore CC/CC
8	<b>30 A</b>	Caricatore



## Precauzioni di sicurezza

- Spegnere lo scooter prima di sostituire i fusibili.
- Sostituisci i fusibili bruciati con fusibili auto adeguati della classificazione fornita nella tabella precedente.
- Assicurati che il fusibile si inserisca adeguatamente nel porta fusibile.
- Quando si ricarica la batteria, controlla i connettori POSITIVO (rosso) e NEGATIVO (nero). Collega prima il POSITIVO, poi il NEGATIVO. Quando l'operazione è terminata, scollegare prima il NEGATIVO, poi il POSITIVO.
- Problemi ricorrenti con i fusibili e con la batteria 12V possono indicare grave malfunzionamento elettrico. Contatta un punto vendita autorizzato per diagnosi e riparazioni.

# Presa 12V



## Presa accendisigari 12V

- La presa può essere usata per caricare piccoli dispositivi elettronici come cellulari, riproduttori musicali o dispositivi GPS.
- Quando usi un dispositivo esterno, assicurati che sia attaccato in modo sicuro allo scooter o al guidatore e che non cada durante la guida.
- Non usare dispositivi ad alta potenza come radiatori.



Non superare 180W di potenza di uscita.



Lo scooter è dotato delle seguenti luci:

## Luci anteriori

- Fanali (abbaglianti/anabbaglianti)
- Luce di posizione
- Indicatori

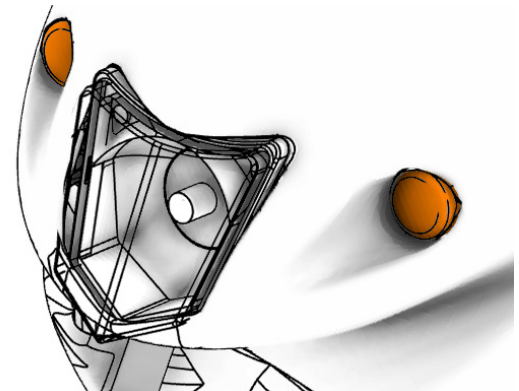
## Luci posteriori

- Luce del freno
- Luce di posizione
- Indicatori

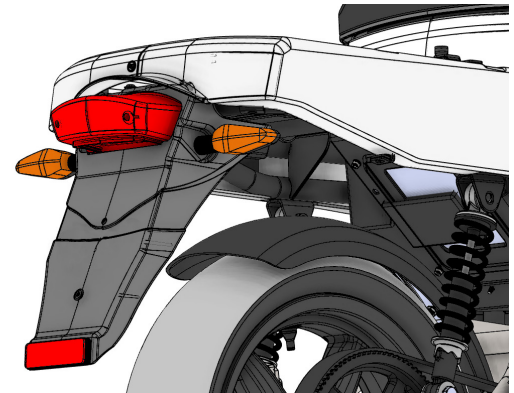
## Lampadine usate

Luce anteriore	H4 12V 35W
Luce di posizione	W3W 12V 3W
Luce posteriore	LED 12V
Luce del freno	LED 12V
Indicatori	LED 12V
Numero di targa	LED 12V

I diodi LED a risparmio energetico usati sullo scooter non necessitano di sostituzione regolare. In caso di danneggiamento di luci a LED, contatta un punto vendita autorizzato per riparazioni.



luci anteriori



luci posteriori

# Pneumatici

## Tipi di pneumatici

Il veicolo è dotato di pneumatici 130/60 R13 4 stagioni con un'opzione per 120/70 R13.

## Pressione dei pneumatici

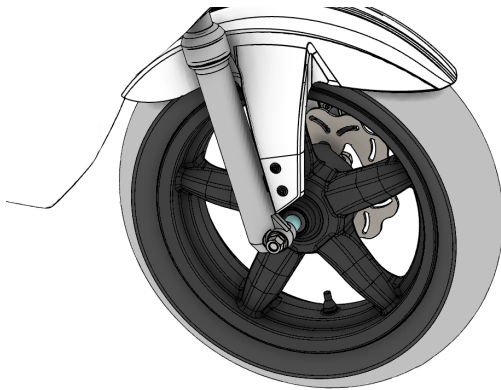
Pneumatico	Senza carico	Con carico
Parte anteriore	2,2 bar	2,2 bar
Parte posteriore	2,2 bar	2,5 bar

## Controllo della pressione dell'aria

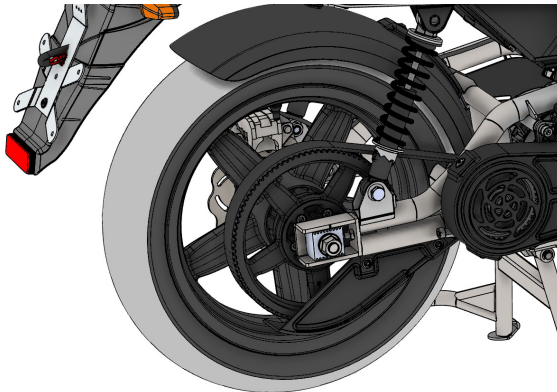
- Prima di metterti alla guida, controlla che i pneumatici non siano danneggiati o sgonfi.
- La pressione dovrebbe essere controllata ogni settimana o dopo un lungo periodo di sosta.
- La bassa pressione dell'aria o i pneumatici consumati hanno un impatto negativo sulle prestazioni dello scooter e riducono l'autonomia.

## Pneumatici danneggiati

- La profondità del battistrada sicura minima è 2 mm.
- I pneumatici danneggiati devono essere sostituiti appena possibile usando un pneumatico consigliato da GOVECS.
- I pneumatici non devono mai essere riparati. Una volta danneggiati il loro utilizzo non è più sicuro.



ruota anteriore



ruota posteriore

# Freni

Il sistema frenante è fondamentale per la sicurezza del veicolo. Per la propria sicurezza personale, è consigliabile prendersi cura delle sue condizioni.

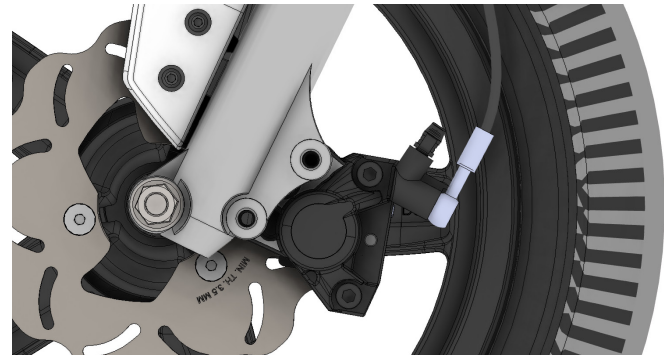
## Controlla i freni regolarmente.

- Controlla il livello del liquido dei freni.
- Controlla i cavi dei freni per perdite.
- Verifica che lo spessore delle pastiglie dei freni sia superiore a 2 mm.
- Verifica che lo spessore dei dischi dei freni sia superiore a 3 mm.
- Effettua con controllo delle prestazioni.

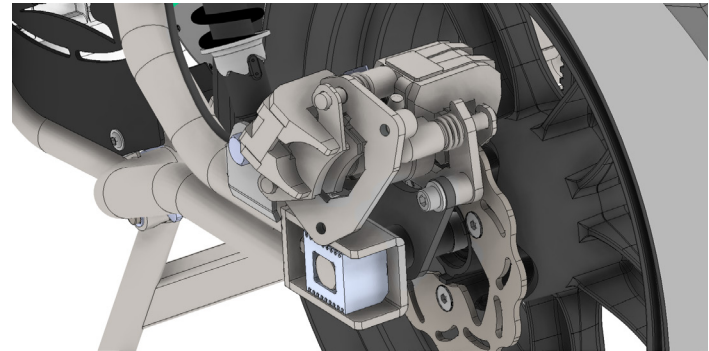
Per controllare le prestazioni del freno, spingi lo scooter per diversi metri. Spingendo lo scooter, premi il freno anteriore e poi il freno posteriore, uno alla volta. Non dovresti essere in grado di spostare il veicolo con i freni inseriti. Tieni ben saldo il manubrio per evitare che lo scooter cada.



La manutenzione e la riparazione dei freni devono essere eseguite soltanto da punti vendita autorizzati.



freno anteriore



freno posteriore

# Livello del liquido dei freni

## Controlla il livello del liquido dei freni.

Il livello del liquido dei freni dovrebbe essere controllato ogni volta prima di mettersi alla guida.

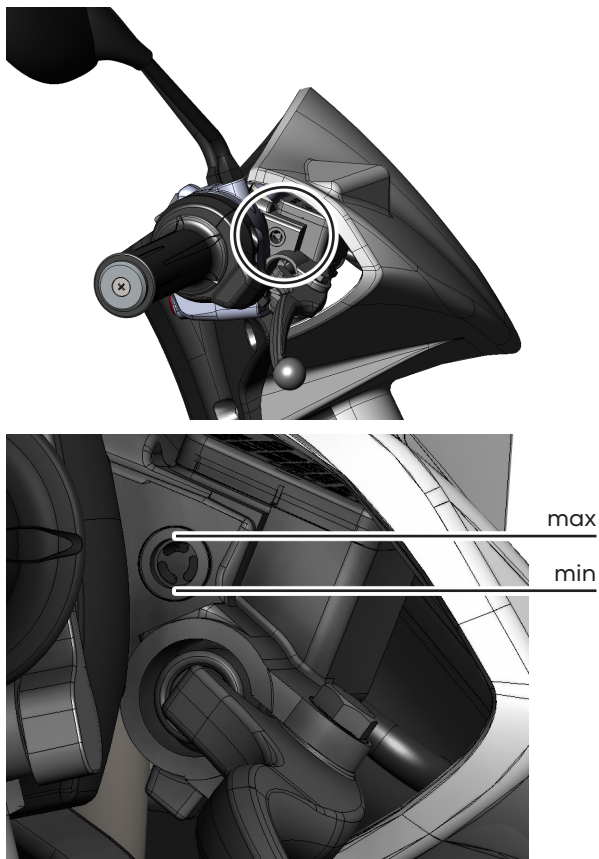
Per farlo:

- Posiziona lo scooter sul cavalletto su un terreno uniforme.
- Gira il manubrio a sinistra.
- Controlla il livello sul vetro laterale dietro al serbatoio destro dietro alla leva del freno.
- Ripeti l'operazione con il serbatoio sinistro.
- Il liquido dei freni deve essere contenuto tra il bordo superiore e quello inferiore del vetro laterale.

Se non vi è liquido nel vetro laterale significa che il sistema frenante è danneggiato.



In caso di sistema frenante danneggiato, lo scooter non dovrebbe essere usato. Contatta un punto vendita autorizzato per riparazioni.



## Pulizia

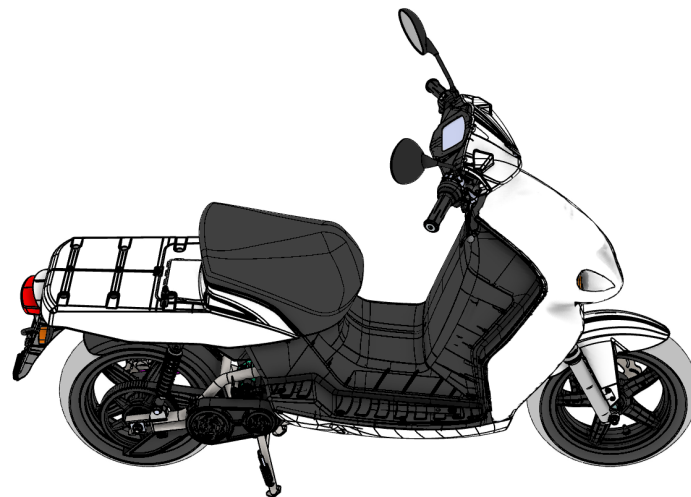
- Spegni lo scooter prima di pulirlo.
- Pulisci il veicolo con una spugna e acqua pulita.
- Non usare spugne dure o spazzole che potrebbero graffiare i pannelli e altri componenti delicati.
- Pulisci gli elementi smaltati soltanto con prodotti per la pulizia appositi.
- Pulisci i pannelli in plastica soltanto con prodotti per la pulizia appositi.
- Non usare prodotti per la pulizia anticorrosivi sul sistema frenante, sulle parti smaltate o sui pannelli in plastica.
- Non pulire mai lo scooter con uno strumento di pulizia ad alta pressione, specialmente vicino ai componenti elettronici.

## Riposo

- Tieni a riposo il veicolo in un luogo al riparo da condizioni atmosferiche avverse come pioggia, neve, inquinamento e alta umidità.
- Quando parcheggi all'esterno, proteggi il veicolo con una copertura traspirante. Le coperture realizzate in materiali artificiali possono provocare condensazione di acqua sullo scooter, il che porta alla corrosione.
- Per riposo prolungato (per es. durante l'inverno), ti raccomandiamo di caricare la batteria e poi rimuovere i fusibili della batteria 12V (20 A) - vedi «Fusibili e batteria 12V» (pagina 166). Ogni 3 mesi, riposiziona i fusibili, carica la batteria se necessario e lascia il fusibile della batteria 12V inserito per almeno 24 ore.

## Manutenzione

- Segui il controllo precedente alla guida raccomandato (pagina 149).
- Presta attenzione al programma di manutenzione raccomandato (pagina 174).
- Contatta un punto vendita autorizzato per la manutenzione.
- Non effettuare modifiche non autorizzate sul veicolo.



# Scheda delle specifiche

Nome del veicolo	GOVECS PRO CARGO	
Categoria del veicolo	L1e	L3e
Lunghezza	1940 mm	
Larghezza	750 mm	
Altezza	1165 mm (senza specchietti)	
Peso	129 kg (con 2 batterie)	129 kg
	115 kg (con 1 batteria)	
Velocità massima	45 km/h o 25 km/h	65km/h
Tipi di pneumatici	4 stagioni 130/60 R13	
	(facoltativo) 120/70 R13	
Pressione dei pneumatici	Parte anteriore: 2,2 bar	
	Parte posteriore: 2,2 bar (2,5 con carico)	
Display	Display LCD Bosch 4,4"	
Motore	Dispositivo di azionamento 48V Bosch	
Batteria	2,4 kWh batterie al litio	
Caricatore	Caricatore a bordo 1200 W	
Tempo di carica-mento	100% circa 5 ore	
	50% circa 1½ ora	
Passeggeri	0 (solo il driver)	

Autonomia	109 km (45 km/h, 2 batterie)	96 km
	56 km (45 km/h, 1 batteria)	
	150 km (25 km/h, 2 batterie)	
	66 km (25 km/h, 1 batteria)	
Tensione della catena	1° stadio: 130 (+20/-0) Hz	
	2° stadio: 100 (+20/-0) Hz	
Tipo di freni	Dischi dei freni anteriori e posteriori	CBS
Liquido dei freni	DOT 4	
Luci	Luce anteriore: H4 12V 35W	
	Luce di posizione: W3W 12V 3W	
	Luce posteriore: LED 12V	
	Luce del freno: LED 12V	
	Indicatori: LED 12V	
	Numero di targa: LED 12V	
Capacità di carico (sedile)	max 125 kg	
Capacità del bauletto	max 25 kg	
Scomparto sotto il sedile	max 5 kg	

# Programma di manutenzione

Per la tua sicurezza e per prolungare la durata del veicolo, segui il programma di manutenzione.

Articoli	Frequenza x1000 km	Chilometraggio													
		0,5	3,5	7,0	10,5	14,0	17,5	21,0	24,5	28,0	31,5	35,0	38,5		42,0
1 Pignoni	Ispezionare ogni 3.500km	I	I	I	I	I	I	R	I	I	I	I	I	R	Sostituire se danneggiato
2 Eccentrico	Ispezionare ogni 3.500km	I	I	I	I	I	I	I	I	I	I	I	I	I	Sostituire il grasso al rame ogni 3.500 km
3 Pneumatici posteriori/anteriori	Ispezionare ogni 3.500km	Sostituire se la profondità è inferiore a 2mm												Sostituire se danneggiato	
4 Pastiglie freno anteriore/posteriore	Ispezionare ogni 3.500km	Sostituire se lo spessore delle pastiglie è inferiore a 2mm												Sostituire se danneggiato	
5 Parte anteriore/posteriore dischi freno	Ispezionare ogni 3.500km	Sostituire se lo spessore del disco è inferiore a 3mm												Sostituire se danneggiato	
6 Cinghie	Ispezionare ogni 3.500km	I	I	I	R	I	I	R	I	I	R	I	I	R	Sostituire ogni 10.500 km
7 Liquido dei freni	Ispezionare ogni 3.500km	I	I	I	I	I	I	I	I	I	I	I	R	I	Sostituire ogni 2 anni oppure ogni 40.000 km
8 Cuscinetti ruota posteriore/anteriore	Ispezionare ogni 3.500km	I	I	I	I	I	R	I	I	I	I	R	I	I	Sostituire se danneggiato
9 Cuscinetti testa sterzo	Ispezionare ogni 3.500km	I	I	I	I	I	R	I	I	I	I	R	I	I	Sostituire se danneggiato
10 Ammortizzatore posteriore	Ispezionare ogni 3.500km	I	I	I	I	I	I	I	I	I	I	I	I	I	Sostituire se danneggiato
11 Forcella anteriore	Ispezionare ogni 3.500km	I	I	I	I	I	I	I	I	I	I	I	I	I	Sostituire se danneggiato
12 Cavalletto centrale	Ispezionare e lubrificare	I	I	I	I	I	I	I	I	I	I	I	I	I	Sostituire se danneggiato
13 Acceleratore	Ispezionare ogni 3.500km	I	I	I	I	I	I	I	I	I	I	I	I	I	Sostituire se danneggiato o appiccicoso
14 Illuminazione	Ispezionare ogni 3.500km	I	I	I	I	I	I	I	I	I	I	I	I	I	Sostituire se danneggiato
15 Chiusura del sedile/sedile	Ispezionare ogni 3.500km	I	I	I	I	I	I	I	I	I	I	I	I	I	Sostituire se danneggiato
16 Viti/dadi essenziali	Ispezionare ogni 3.500km	I	I	I	I	I	I	I	I	I	I	I	I	I	Sostituire se danneggiato
17 Conferma coppia terminali batteria ("+", "-")	Ispezionare ogni 3.500 km	I	I	I	I	I	I	I	I	I	I	I	I	I	POSITIVO:15Nm, NEGATIVO:9 Nm
18 Conferma coppia terminali/viti motore	Ispezionare ogni 3.500 km	I	I	I	I	I	I	I	I	I	I	I	I	I	20 Nm

**NOTA:** I - ispezionare (pulire, regolare, lubrificare se necessario) R - sostituire



Contatta un punto vendita autorizzato per ispezioni. Non cercare di riparare lo scooter da solo.

Se non si segue il programma di manutenzione viene annullata la garanzia. Ogni ispezione deve essere documentata.

# Opuscolo informativo

IL CODICE VIN : \_\_\_\_\_

Ispezione programmata	Chilometraggio effettivo	Data	Ispezione successiva programmata	Firma	Timbro
500 km					
3500 km					
7000 km					
10500 km					

IT



# Opuscolo informativo

Ispezione programmata	Chilometraggio effettivo	Data	Ispezione successiva programmata	Firma	Timbro
14000 km					
17500 km					
21000 km					
24500 km					

IT

# Opuscolo informativo

Ispezione programmata	Chilometraggio effettivo	Data	Ispezione successiva programmata	Firma	Timbro
28000 km					
315000 km					
35000 km					
38500 km					

IT

# Contatti

---

## **GOVECS AG**

Bavariafilmplatz 7, Geb. 3a

82031 Grünwald

Germany

[www.govecsgroup.com](http://www.govecsgroup.com)

Service Hotline: +49 800 788 788 30

[service@govecs.com](mailto:service@govecs.com)

Online-Shop: [www.govecs-scooter.com](http://www.govecs-scooter.com)



IT

# Version history

---

## v 1.1

- first release

## v 1.2

- updated company logo
- changed product name (Govecs GO!T is now Govecs PRO CARGO)
- added L3e data (page 29)
- updated torque values for battery cables (9>15 Nm; 5>9 Nm) - page 30

## v 1.3

- corrected max. loading capacity values
- corrected belt tension values in specification sheet

## v 1.3.1

- updated address and contact information
-



# Inhoudsopgave

## Basisinformatie

Inleiding.....	182
Gegevens model.....	183
Veiligheid.....	184
Veilig rijden.....	185

## Voertuigoverzicht

Belangrijkste onderdelen.....	186
Stuurelementen.....	187
Achterste compartiment.....	188
VIN & voorgeschreven plaat.....	189

## Bediening

Bedieningselementen links.....	190
Bedieningselementen rechts.....	191
Display - elementen.....	192
Display - gegevens.....	193
Display - instellingen.....	194
De scooter starten.....	195
Contact.....	196

## Externe componenten

Middenstandaard.....	197
Kofferbak & imperiaal.....	198
Bagagehaak.....	199
Spiegels.....	200

## Elektrisch systeem

De accu opladen.....	201
Zekeringen & 12 V accu.....	202
12 V aansluiting.....	203

## Veiligheidsuitrusting

Lichten.....	204
Banden.....	205
Remmen.....	206
Remvloeistofpeil.....	207

## Gebruiksaanwijzingen

Onderhouden van het voertuig.....	208
-----------------------------------	-----

## Technische gegevens

Specificatieblad.....	209
Onderhoudsschema.....	210
Onderhoudsboekje.....	211

## Eindopmerkingen

Contact.....	214
--------------	-----



## **Beste Gebruiker van de GOVECS-scooter**

Bedankt dat u voor de aankoop van de GOVECS-scooter hebt gekozen. Wij heten u dan ook van harte welkom bij de groeiende groep van GOVECS-bestuurders.

Deze handleiding bevat instructies over het gebruik, onderhoud en verzorging van uw GOVECS-scooter. Voor uw veiligheid en om uw Govecs ten volle te kunnen benutten raden wij u aan deze handleiding zorgvuldig te lezen alvorens u de weg op gaat.

Goed onderhoud van het voertuig, naleven van alle gebruiksinstructies die in deze handleiding staan en regelmatige keuringen bij uw GOVECS-dealer zijn voorwaarden om uw scooter zonder problemen te kunnen gebruiken.

**Wij wensen u een comfortabele en veilige reis!**

# Gegevens model

Deze handleiding is van toepassing voor de GOVECS PRO CARGO-scooter, model van 2019, uitgerust met het Bosch LEM (Light Electric Mobility)-systeem.



NL



## Lees de volgende instructies voor uw eigen veiligheid



Wanneer dit symbool in de handleiding verschijnt, geeft het een situatie aan waarin het niet opvolgen van de instructies kan leiden tot schade aan de scooter of letsel voor de gebruiker.



De accu's die in GOVECS-scooters zijn geïnstalleerd, zijn onderworpen aan recyclage volgens Richtlijn 2006/66/EG van het Europees Parlement en de Raad van 6 september 2006 inzake batterijen en accu's, alsook afgedankte batterijen en accu's en houdende intrekking van Richtlijn 91/157/EEG. Beschadigde, gebruikte en defecte accu's moeten worden teruggebracht naar de GOVECS-dealer of een inzamelpunt dat door de fabrikant is goedgekeurd.

- Het voertuig mag op de openbare weg in de Europese Unie worden bestuurd. De plaatselijke voorschriften met betrekking tot leeftijdsgrenzen, rijbewijzen, enz. moeten worden nageleefd.
- De scooter is ontworpen voor gebruik op verharde wegen. Hij kan niet worden gebruikt als terreinvoertuig.
- Het voertuig is ontworpen voor optimale prestaties met een omgevingstemperatuur van +5 °C tot +35 °C. Werking met verminderde prestaties is mogelijk bij een omgevingstemperatuur van -7,5 °C tot +40 °C.
- Demontage van de accu's is niet toegestaan.
- Herstellingen aan de scooter moeten worden uitgevoerd door een erkend servicecentrum.
- GOVECS is niet aansprakelijk voor oneigenlijk gebruik van het voertuig.
- Wij raden de gebruiker aan deze handleiding zorgvuldig door te lezen om het voertuig op een correcte en veilige manier te gebruiken.

## Voor u op pad gaat

Zorg voor u met de scooter rijdt voor het volgende:

- De stekker is losgekoppeld van het stopcontact en de laadkabel is vastgemaakt in de kofferbak van de scooter.
- De accu is voldoende opgeladen.
- De lichten, knipperlichten en claxon werken naar behoren.
- De spiegels staan voor uw gemak afgesteld.
- De banden hebben de juiste spanning en de juiste profiel- diepte.
- De remmen werken goed.
- Het remvloeistofpeil is correct
- De remblokjes en -schijven zijn niet versleten.
- Het stuur draait volledig naar links en rechts zonder weerstand.

## Kleding

- Draag altijd een motorhelm.
- Draag veilige, nauwsluitende en comfortabele kleding.
- Draag stevige schoenen (geen hoge hakken, teenslippers of soortgelijke open schoenen).

## Rijvaardigheid

- Volg altijd de verkeersregels.
- Houd het stuur altijd met twee handen vast.
- Wees in het bijzonder voorzichtig bij het rijden op nat wegdek, vuil, kasseien, ijs of sneeuw.
- Gebruik geen mobiele telefoons of andere apparaten die kunnen zorgen voor afleiding tijdens het rijden.

## Lading en passagiers

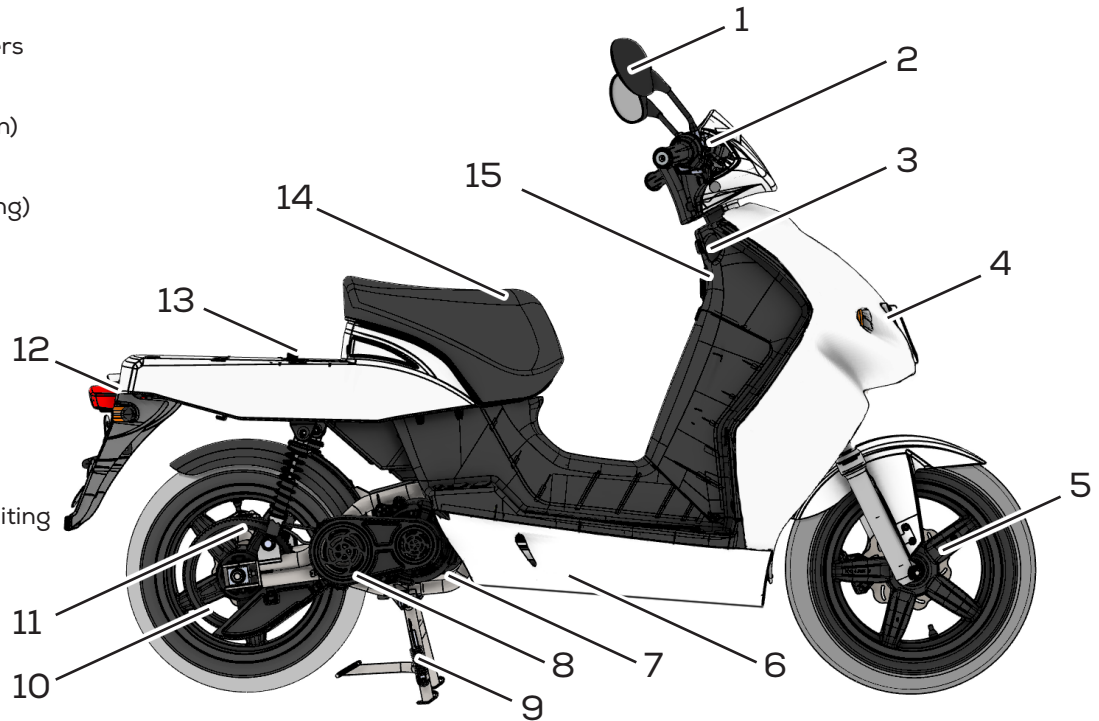
- Vervoer alleen ladingen in de daarvoor bestemde laadbak op de bagagedrager, in de kofferbak onder het zadel of met behulp van de bagagehaak.
- Het maximaal toegestane gewicht van de laadbak is 25 kg.
- De scooter mag 1 persoon vervoeren (maximum 125 kg)

## Na het rijden

- Controleer of u de accu moet opladen.
- Laat de scooter achter op een plaats waar hij is beschermd tegen diefstal of vandalisme en waar hij het verkeer niet hindert.

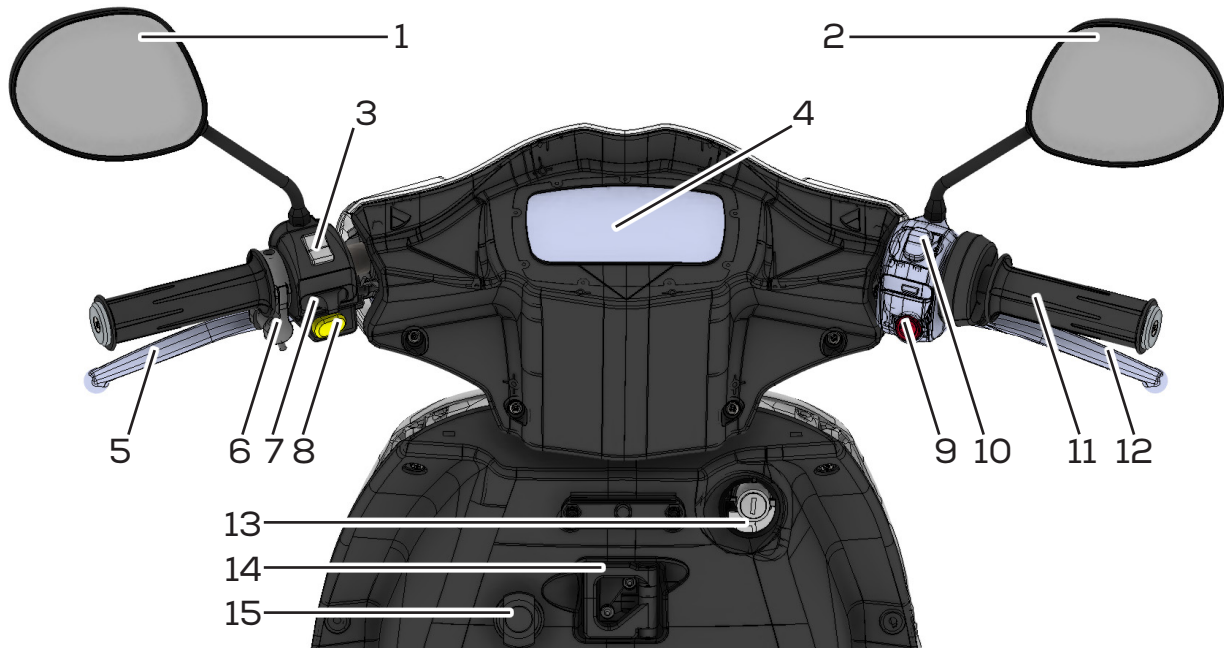
# Belangrijkste onderdelen

1. Spiegels
2. Sturen
3. Contact
4. Voorlicht & richtingaanwijzers
5. Voorwiel en rem
6. Accu & lader (onder panelen)
7. Motor (onder panelen)
8. Riem 1<sup>e</sup> fase (onder afdekking)
9. Middenstandaard
10. Achterwiel & rem
11. Riem 2<sup>e</sup> fase
12. Achterlicht & richtingaanwijzers
13. Imperiaal
14. Zadel & kofferbak
15. Bagagehaak & 12 V aansluiting



NL

# Stuurelementen



1. Linkerspiegel

2. Rechterspiegel

3. Groot licht/  
dimlicht

4. Display

5. Achterremhendel

6. Regelknop menu

7. Richtingaanwijzers

8. Claxon

9. GO-knop

10. Kill switch

11. Gas

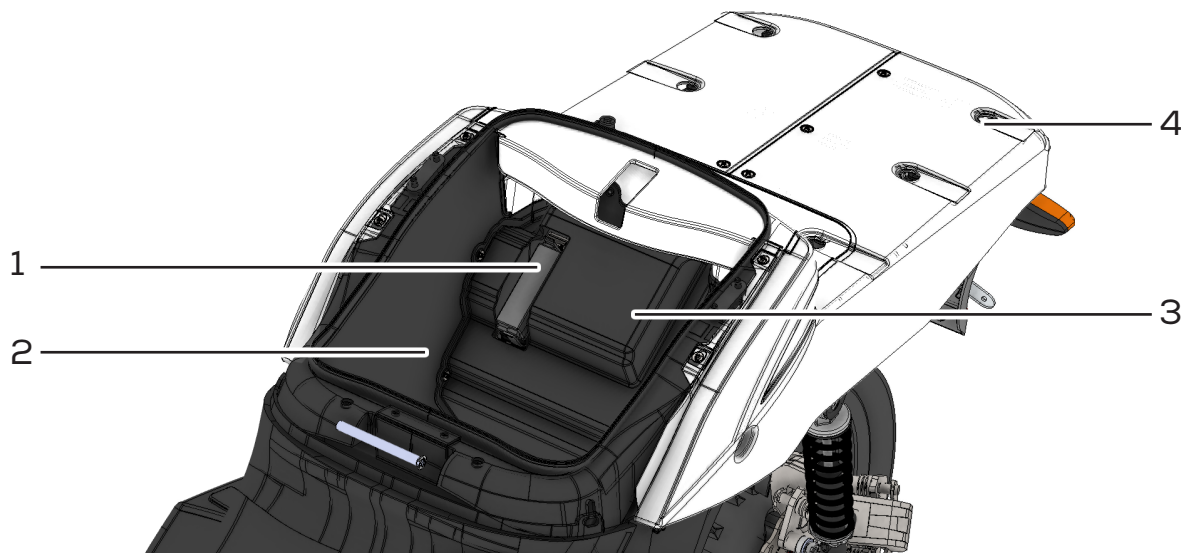
12. Voorremhendel

13. Contact

14. Bagagehaak

15. 12 V aansluiting

# Achterste compartiment

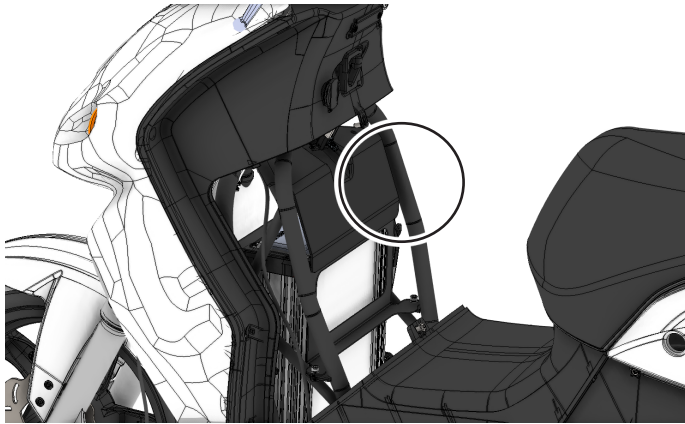


(hier getoond met de zadel verwijderd)

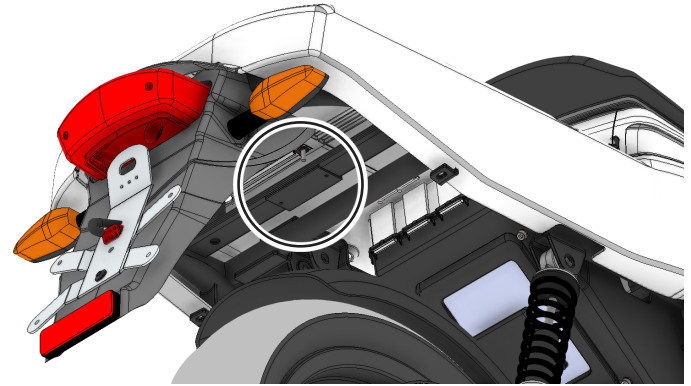
NL

1. Zekeringen
2. Kofferbak
3. 12 V accu (onder afdekking)
4. Montagepunten voor het imperiaal (6 voor scooter)

# VIN & voorgeschreven plaat



Het voertuigidentificatienummer bevindt zich aan de rechterkant van het frame onder het verticale paneel.



De voorgeschreven plaat bevindt zich onder het imperiaal.

# Bedieningselementen links

## Groot licht/dimlicht

- Schakelt de positie van het voorlicht.
- Gebruik het groot licht enkel volgens de verkeersregels.
- Houd er rekening mee dat het groot licht andere chauffeurs kan verblinden.

## Regelknop menu

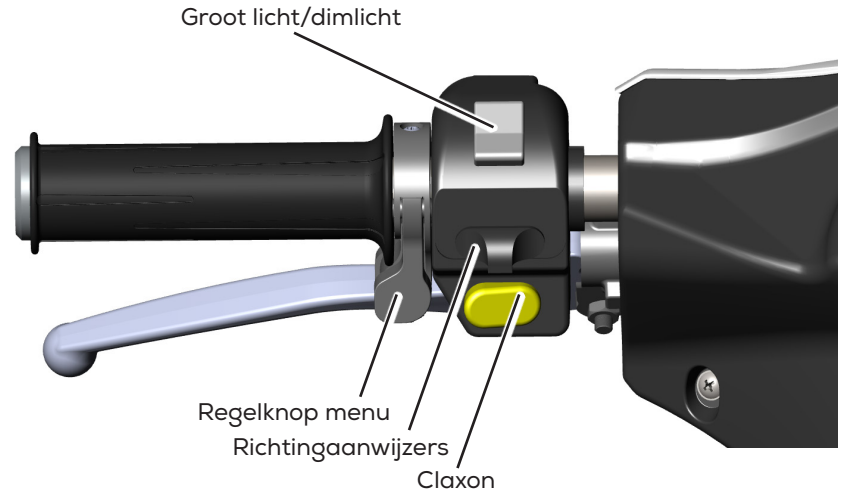
- Gebruikt om door het displaymenu te gaan.
- Tijdens het rijden gebruikt om te schakelen tussen rijmodi.

## Richtingaanwijzers

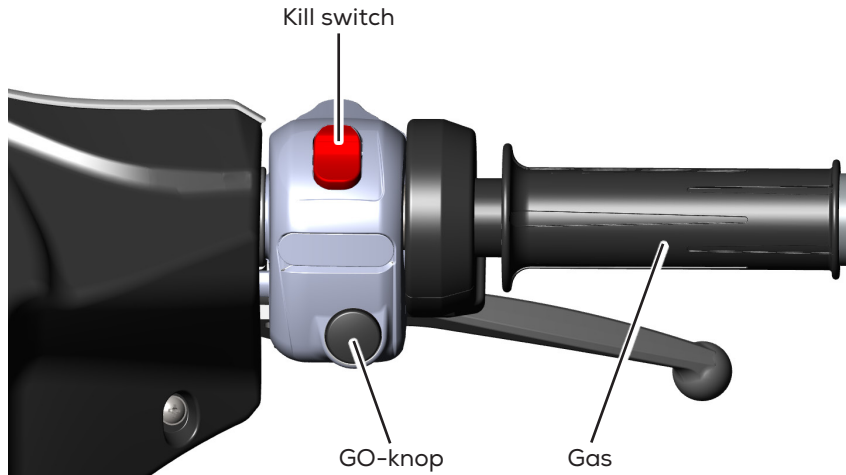
- Schuif naar links of rechts om te activeren.
- Druk om te deactiveren.

## Claxon

- Gebruik de claxon enkel volgens de verkeersregels.
- Continu gebruik zal de claxon beschadigen.



# Bedieningselementen rechts



## Kill switch

- Wanneer dit is ingeschakeld, verhindert dit het voertuig om te rijden, zelfs als het contact is IN-geschakeld.
- Schakel dit altijd in bij het parkeren.
- Schakel dit alleen uit wanneer u klaar bent om te rijden.

## GO-knop

- Gebruikt om de selectie in het displaymenu te bevestigen.
- Schakelt tussen de rijgegevens die worden weergegeven tijdens het rijden.

## Gas

- Draai naar achteren om te versnellen.
- Laat los om te vertragen (remmen op de motor).
- Houd u altijd aan de verkeersregels en snelheidsbeperkingen.

Til de scooter nooit op bij de gasgreep.



Oefen nooit meer dan 20 kg zijdelingse kracht uit op de gashendel.

Bij het vervoeren van de scooter mag u deze nooit vastbinden of vastzetten met de gashendel.



# Display - elementen



De volgende indicatoren verschijnen op de lcd-display.

# Display - gegevens



Het 4,4” lcd-display dient als dashboard van de scooter en geeft informatie en rijgegevens aan de gebruiker. Het menu wordt bediend met de regelknop Menu (Omhoog/Omlaag) en de knop Bevestigen (Ga) op de stuurschakelaars.

Daarnaast dient het als communicatieapparaat voor de uDrive Connect-app, die u op uw smartphone kunt installeren.

## Rijmodi

Schakelen tussen de rijmodi gebeurt met de knoppen Omhoog en Omlaag. De volgende modi zijn beschikbaar:

- **NEUTRAL** - het gaspedaal is uitgeschakeld en de motor is inactief.
- **GO** - economische modus met het grootste bereik.
- **CRUISE** - biedt de meeste acceleratie- en klimmogelijkheden.
- **CRAWL** (vooruit en achteruit) - de langzaamste modus die handig is voor parkeren en manoeuvreren op krappe plekken.

De Boost-modus is niet beschikbaar op de scootmobiel.

## Rijgegevens

Als u op de GO-knop drukt, worden de volgende soorten gegevens op het scherm weergegeven:

- Totaal aantal km
- Dagelijks aantal km
- Dagelijkse rijtijd
- Gemiddelde snelheid
- Gemiddeld stroomverbruik

# Display - instellingen

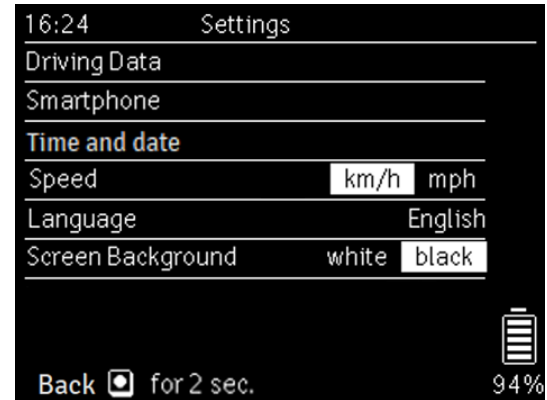
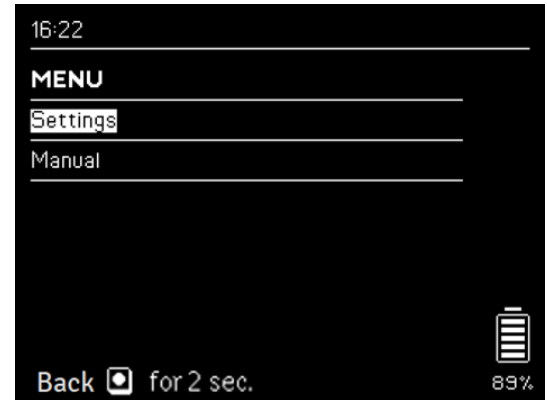
Op het startscherm of in de NEUTRAL-modus, houdt u de GO-knop gedurende 2 seconden ingedrukt om het instellingenmenu te openen.

De volgende opties zijn beschikbaar in het menu:

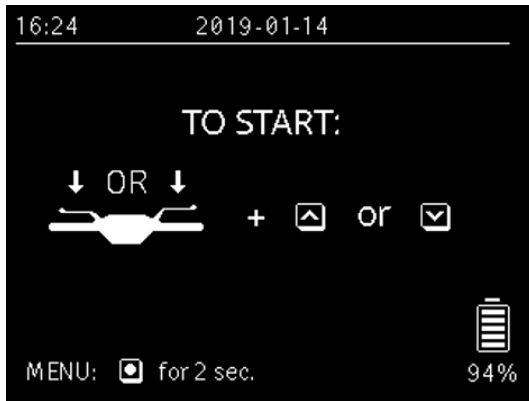
- **Handleiding** - korte instructies voor de bediening van het voertuig.
- **Rijgegevens** - toont het totaal aantal km, het dagelijkse aantal km, de dagelijkse rijtijd, Ø snelheid, Ø verbruik. De RE-SET-functie zet de waarden op nul
- **Smartphone** - maakt het mogelijk om de scooter via Bluetooth te koppelen met de telefoon van de gebruiker.

Er moet een Bluetooth-verbinding zijn en de uDrive Connect-app moet zijn geïnstalleerd.

- **Tijd en datum** - om de tijd, de datum en de tijdopmaak te wijzigen.
- **Snelheid** - schakelt tussen km/uur en mph (mijl per uur).
- **Taal** - schakelt tussen beschikbare talen (huidige taalopties: Engels, Duits, Spaans, Frans en Italiaans).
- **Schermachtergrond** - schakelt tussen zwart en wit.



# De scooter starten



startscherm

## Zorg voor het volgende om de scooter te starten

- Zorg ervoor dat de accu voldoende is opgeladen (pagina 201).
- Zet de middenstandaard omhoog (pagina 197).
- Schakel het contact in (pagina 196).
- Wanneer het startscherm verschijnt, drukt u op een van de remhendels en op de knoppen Omhoog of Omlaag op de regelknop Menu.
- Laat de kill switch los (pagina 191).

# Contact

## Contact INgeschakeld (rijpositie)

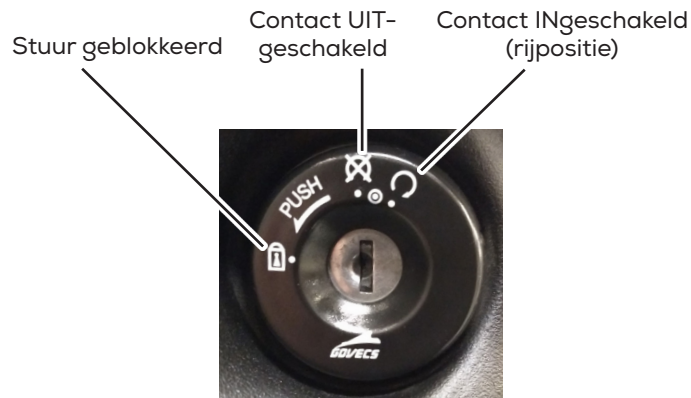
- Alle functies actief.
- Scooter is klaar om te rijden.
- De sleutel kan niet worden verwijderd.

## Contact UITgeschakeld

- Alle functies uitgeschakeld.
- Stuur is niet op slot.
- De scooter kan worden voortgeduwd.
- Scooter kan veilig worden gemanoeuvreed.
- De sleutel kan worden verwijderd.

## Stuur geblokkeerd

- Alle functies uit.
- Het stuur is geblokkeerd.
- Scooter kan veilig worden gemanoeuvreed.
- De sleutel kan worden verwijderd.



Een elektrisch voertuig maakt geen geluid wanneer het wordt ingeschakeld!

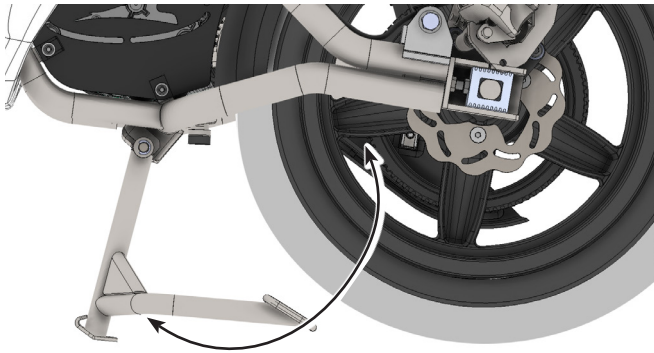
# Middenstandaard

## De scooter van de standaard halen

- Haal de scooter van de standaard voor u erop gaat zitten.
- Pak de linkerstuurgreep en het imperiaal vast en duw de scooter naar voren.
- De motor is uitgeschakeld zolang de standaard is uitgeklapt.

## De scooter op de standaard positioneren

- Om de scooter op de standaard te plaatsen, pakt u de linkerstuurgreep vast en duwt u de standaard naar beneden met uw voet.
- Allebei de poten van de standaard moeten stevig op de grond staan.



Til de scooter nooit op bij de gasgreep. Pak het voertuig alleen vast bij de vaste delen van het stuur of het frame.

# Kofferbak & imperiaal

## Stoel

- Maximale lading is 5 kg.

## Zadelslot

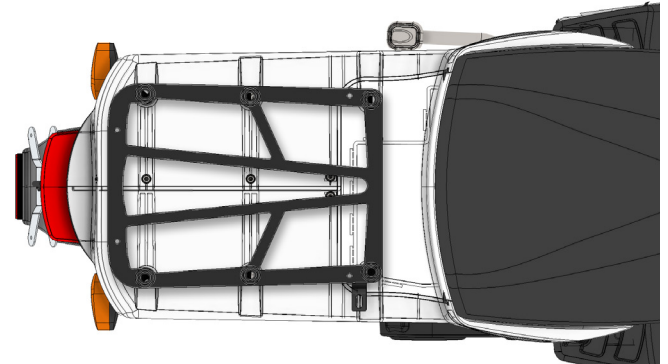
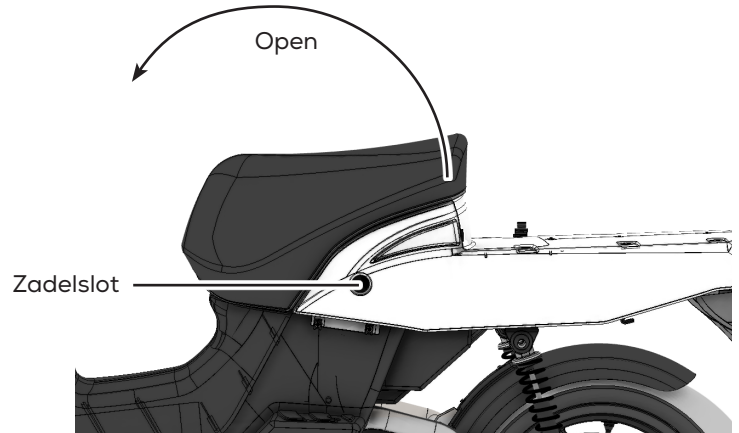
- Ontgrendel het zadel met de contactsleutel.
- Open het zadel naar voren toe.
- Sluit het zadel nooit met de sleutel erin!

## Kofferbak

- Maximale lading is 5 kg.
- De kofferbak bevat ook de 12 V accu en de zekeringen.

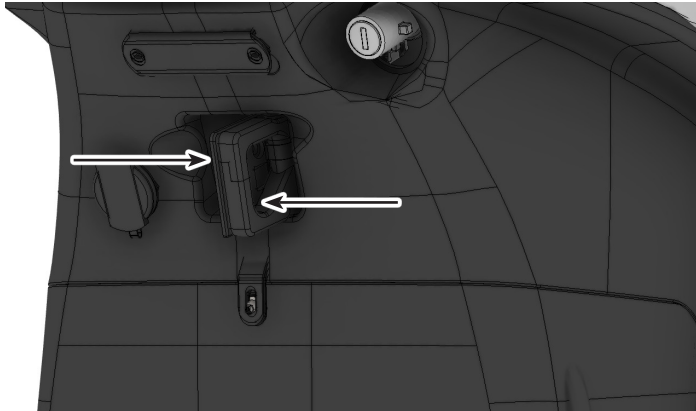
## Imperiaal

- Maximale lading is 25 kg.
- Elk type bak kan worden geïnstalleerd, zolang de bak kan worden gemonteerd zonder gereedschap te gebruiken.



NL

# Bagagehaak



## De bagagehaak gebruiken

- De haak kan worden gebruikt om een kleine tas of andere spullen met een riem te dragen.
- Om de tas op te hangen, opent u de haak in de richtingen die worden getoond in de afbeelding.
- Hang geen spullen op die meer wegen dan 3 kg.



Overschrijd nooit het maximale gewicht of draag nooit spullen die breder zijn dan de scooter.



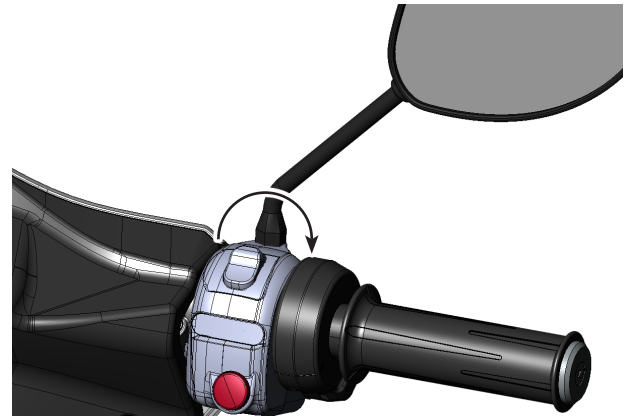
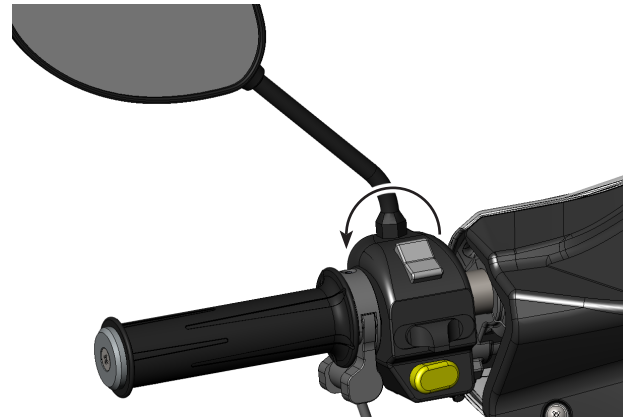
# Spiegels

## De spiegels afstellen

- Draai de moer aan de basis van de spiegel los met een 14 mm moersleutel.
- Draai voor de linkerspiegel de moer naar links.
- Draai voor de rechterspiegel de moer naar rechts.
- Draai de spiegel tot u het gebied achter de scooter duidelijk kunt zien.
- Zorg ervoor dat u vrij zicht hebt op uw omgeving, vooral wanneer de laadbak is geïnstalleerd.
- Draai de moeren van de spiegels stevig vast met een moersleutel voor u gaat rijden.



Rijd niet op een scooter met een beschadigde of verkeerd afgestelde spiegel!



# De accu opladen

## Algemene instructies

- Het voertuig is uitgerust met een ingebouwde oplader.
- De laadkabel bevindt zich in de kofferbak.
- Deze kan worden gebruikt voor 16 A/240 V stopcontacten van type E/F.
- Steek niet meer dan 1 stekker van een scooter in een enkele fase.
- De accu opladen is mogelijk bij temperaturen boven 5 °C.
- Het opladen kan op elk moment worden onderbroken.

## Laadstatus

- Laadstatus wordt aangegeven door de led op het display.
- Constant groen licht geeft aan dat er wordt opgeladen.
- Geen licht geeft aan dat het opladen is voltooid.

## Laadtijd

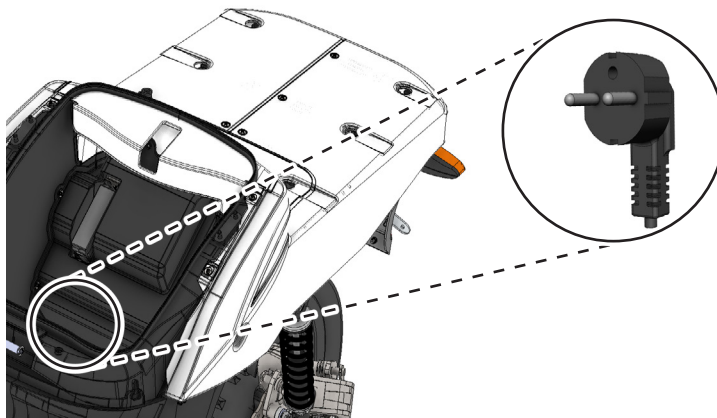
- De scooter volledig opladen duurt ongeveer 5 uur.
- Hem opladen tot 50 % duurt ongeveer 1½ uur.
- Het is onmogelijk om de accu te overladen.

## Levensduur accu

- Laad de accu altijd op wanneer deze aanzienlijk is leeggegaan.
- Laat de batterij niet voor langere tijd leeg.
- Bewaar de scooter wanneer hij niet wordt gebruikt volgens de procedure voor langdurige opslag (zie pagina 208).

## Snel opladen

- Bij het opladen kan via het display een snellaadmodus worden geselecteerd.
- Wij raden u aan om alleen gebruik te maken van de snellaadmodus wanneer u de scooter zo snel mogelijk in gebruik moet kunnen nemen.
- De snellaadmodus kan de levensduur van de accu verkorten.



Buig of knip de laadkabel nooit en stap er nooit op.  
Een beschadigde kabel moet onmiddellijk worden vervangen!

NL

# Zekeringen & 12 V accu

## De 12 V accu bevindt zich onder het zadel

- Verwijder de plastic afdekking om hieraan te kunnen.
- De 12 V accu voedt de elektronische systemen van het voertuig wanneer de scooter inactief is en is verantwoordelijk voor het opstarten.
- De 12 V accu wordt opgeladen vanaf de hoofdaccu wanneer de scooter in gebruik is.
- Goed onderhoud en het niet laten leeglopen van de hoofdaccu zorgt ervoor dat de 12 V accu nooit ontladtd.
- Als de 12 V accu ontladen is, kan deze worden opgeladen met een externe 12 V stroombron.
- Erg ontladen accu's (onder 10 V) moeten worden vervangen.

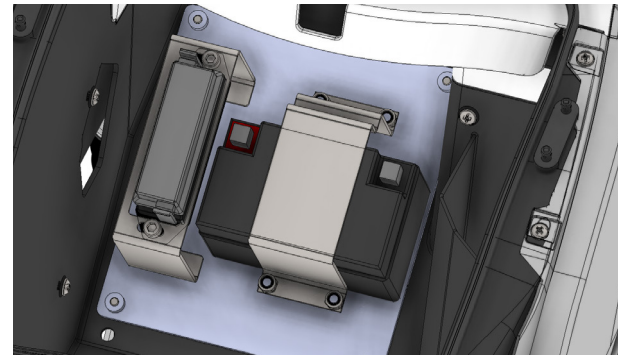


## Veiligheidsmaatregelen

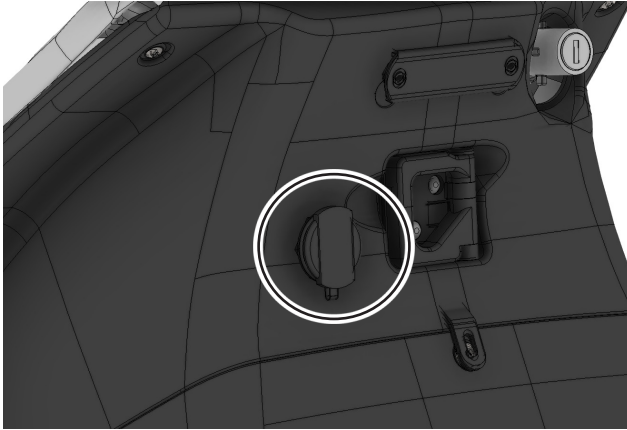
- Schakel de scooter uit voor u de zekeringen vervangt.
- Vervang doorgebrande zekeringen alleen door de juiste zekeringen voor motorvoertuigen met de in de bovenstaande tabel aangegeven classificatie.
- Zorg ervoor dat de zekering goed in de zekeringhouder past.
- Let bij het opladen van de accu op de POSITIEVE (rode) en NEGATIEVE (zwarte) aansluitingen. Sluit eerst de POSITIEVE aan en daarna de NEGATIEVE. Wanneer u klaar bent, koppelt u eerst de NEGATIEVE los en vervolgens de POSITIEVE.
- Herhaalde problemen met de zekeringen en de 12 V accu kunnen wijzen op ernstige elektrische storingen. Neem contact op met een erkend servicecentrum voor diagnose en herstelling.

## De volgende zekeringen bevinden zich ook onder het zadel.

	Classificatie	Functie
1	20 A	12 V accu
2	7,5 A	Lichten
3	5 A	Claxon
4	10 A	12 V aansluiting
5		ongebruikte slot
6		ongebruikte slot
7	7,5 A	DC/DC-omzetter
8	30 A	Oplader



# 12 V aansluiting



## 12 V sigarettenaansteker

- Het stopcontact kan worden gebruikt om kleine elektronische apparaten zoals telefoons, muzikspelers of GPS-apparaten op te laden.
- Wanneer u een extern apparaat gebruikt, zorg er dan voor dat het veilig is bevestigd aan de scooter of de bestuurder en er niet vanaf valt tijdens het rijden.
- Gebruik geen apparaten met een hoog vermogen, zoals verwarmingstoestellen.



Ga niet over het uitgangsvermogen van 180 W.

De scooter is uitgerust met de volgende lichten:

## Voorlichten

- Koplamp (grootlicht/dimlicht)
- Positielicht
- Indicatoren

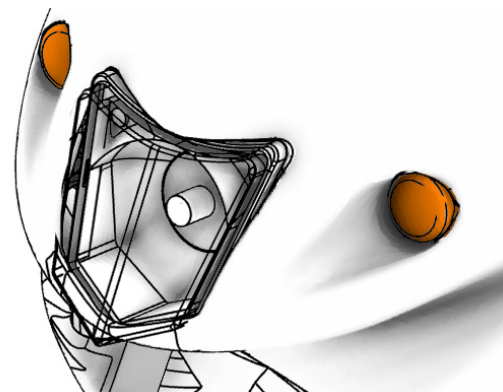
## Achterlichten

- Remlicht
- Positielicht
- Indicatoren

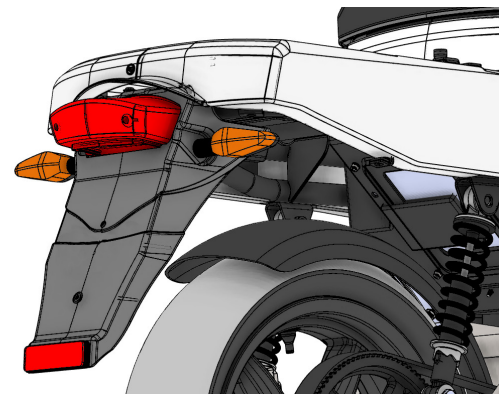
## Gebruikte gloeilampen

Voorlicht	H4 12 V 35 W
Positielicht	W3W 12 V 3 W
Achterlicht	Led 12 V
Remlicht	Led 12 V
Indicatoren	Led 12 V
Kentekenplaat	Led 12 V

De energiebesparende led-diodes die op de scooter worden gebruikt, moeten niet regelmatig worden vervangen. Neem in geval van beschadigde led-lampen contact op met een erkende dealer voor herstellingen.



voorlichten



achterlichten

# Banden

## Bandtypes

Het voertuig is uitgerust met vierseizoenenbanden 130/60 R13 met een optie voor 120/70 R13.

## Bandenspanning

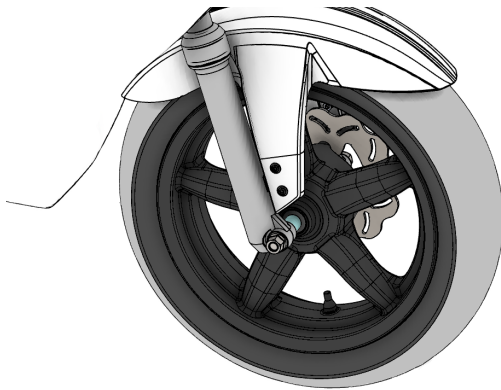
Band	Zonder lading	Met lading
Vooraan	2,2 bar	2,2 bar
Achteraan	2,2 bar	2,5 bar

## Luchtdruk controleren

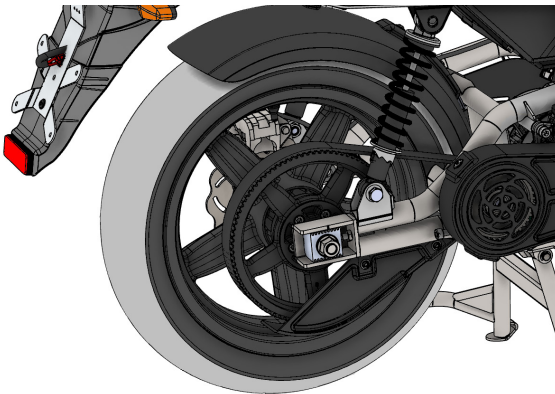
- Controleer voor het rijden de banden op schade en mogelijk verlies van spanning.
- De druk moet wekelijks en na langere stilstand worden gecontroleerd.
- Lage luchtdruk of versleten banden hebben een negatieve invloed op de prestaties van de scooter en verminderen het bereik.

## Beschadigde banden

- De minimale veilige profieldiepte is 2 mm.
- Beschadigde banden moeten zo snel mogelijk worden vervangen door banden die worden aangeraden door GOVECS.
- Banden mogen nooit worden hersteld. Eenmaal ze zijn beschadigd, kunnen ze niet meer veilig worden gebruikt.



voorwiel



achterwiel

# Remmen

Het remsysteem is van cruciaal belang voor de veiligheid van het voertuig. Voor uw eigen veiligheid moet u letten op de toestand hiervan.

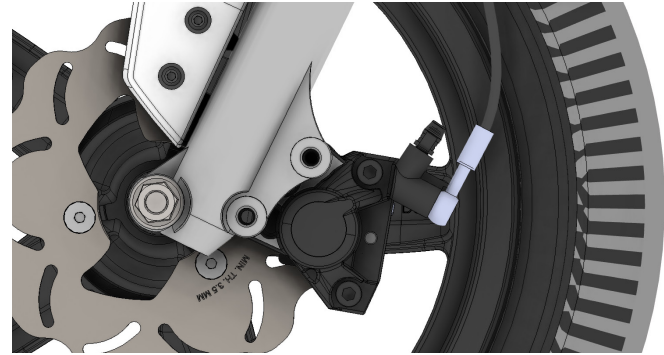
## Inspecteer uw remmen regelmatig.

- Controleer het remvloeistofpeil.
- Inspecteer de remkabels op lekken.
- Bevestig dat de remblokjes meer dan 2 mm dik zijn.
- Bevestig dat de remschijven meer dan 3 mm dik zijn.
- Voer een prestatiecontrole uit.

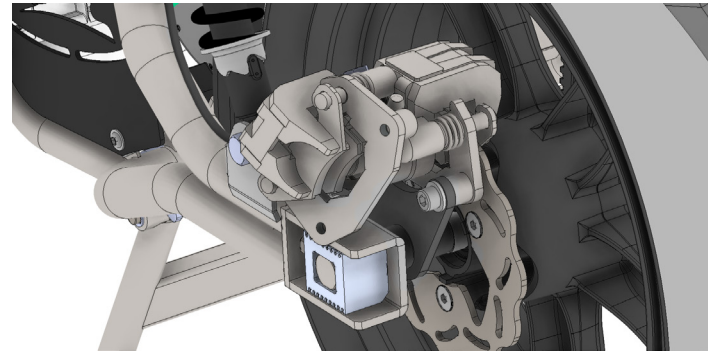
Duw om de remprestatie te controleren de scooter enkele meters verder. Druk terwijl u duwt de voorrem en vervolgens de achterrem één voor één in. U mag het voertuig niet kunnen verplaatsen wanneer de remmen worden ingedrukt. Houd het stuur stevig vast om te voorkomen dat de scooter omvalt.



Onderhoud en herstelling van de remmen mag alleen worden uitgevoerd door erkende servicecentra.



voorrem



achterrem

# Remvloeistofpeil

## Het remvloeistofpeil controleren

Het remvloeistofpeil moet voor elke rit worden gecontroleerd.

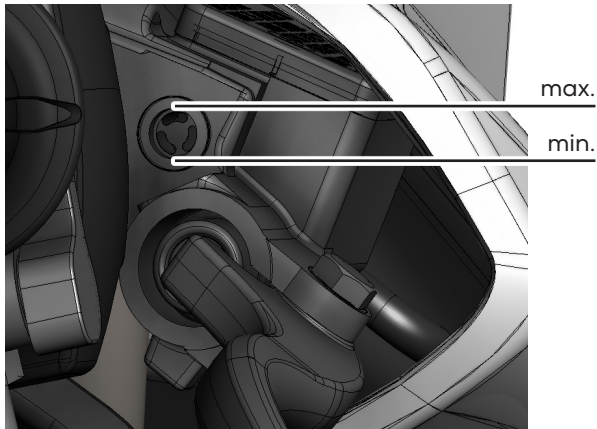
Om dit te doen, doet u het volgende:

- Plaats de scooter op de middenstandaard, op een vlakke ondergrond.
- Draai het stuur naar links.
- Controleer het niveau op het zijglas achter het rechterreservoir achter de remhendel.
- Herhaal dit met het linkerreservoir.
- De remvloeistof moet tussen de boven- en onderrand van het zijglas passen.

Geen vloeistof in het zijglas betekent schade aan het remsysteem.



In geval van schade aan het remsysteem mag de scooter niet worden gebruikt. Neem contact op met een erkend servicecentrum voor herstellingen.





# Onderhouden van het voertuig

## Reinigen

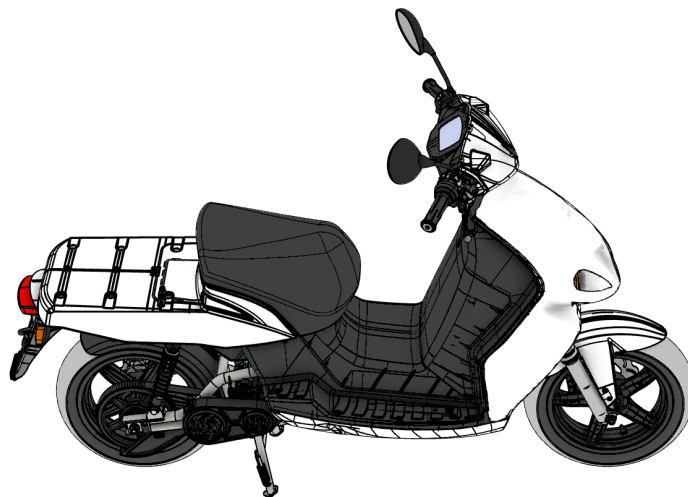
- Schakel de scooter uit voor u hem reinigt.
- Reinig het voertuig met een spons en schoon water.
- Gebruik geen harde sponzen of borstels die kunnen zorgen voor krassen op de panelen en andere delicate onderdelen.
- Reinig gelakte elementen alleen met speciale reinigingsmiddelen.
- Reinig plastic panelen alleen met speciale reinigingsmiddelen.
- Gebruik geen reinigingsmiddelen tegen corrosie op het remsysteem, gelakte onderdelen of plastic panelen.
- Reinig de scooter nooit met een hogedrukreiniger, vooral niet in de buurt van elektronische onderdelen.

## Opslag

- Bewaar het voertuig op een plaats waar het veilig is voor zware weersomstandigheden zoals regen, sneeuw, vervuiling en hoge luchtvochtigheid.
- Bescherm het voertuig bij het parkeren buitenshuis met een ademende afdekking. Afdekkingen van kunstmatig materiaal kunnen watercondensatie op de scooter veroorzaken, wat tot corrosie kan leiden.
- Voor langdurige opslag (d.w.z. tijdens de winter) raden wij aan de accu op te laden en vervolgens de zekering van de 12 V accu (20 A) te verwijderen - zie 'Zekeringen & 12 V accu' (pagina 202). Plaats de zekering om de 3 maanden terug, laad de accu indien nodig op en laat de zekering van de 12 V accu minimaal 24 uur zitten.

## Onderhoud

- Volg de aanbevolen controle vóór de rit (pagina 185).
- Houd rekening met het aanbevolen onderhoudsschema (pagina 210).
- Neem contact op met een erkende dealer voor onderhoud.
- Breng geen ongeoorloofde wijzigingen aan het voertuig aan.



# Specificatieblad

Naam voertuig	GOVECS PRO CARGO	
Voertuigcategorie	L1e	L3e
Lengte	1940 mm	
Breedte	750 mm	
Hoogte	1165 mm (zonder spiegels)	
Gewicht	129 kg (met 2 accu's)	129 kg
	115 kg (met 1 accu)	
Topsnelheid	45 km/uur of 25 km/uur	65km/uur
Bandtype	Vierseizoenenband 130/60 R13	
	(optioneel) 120/70 R13	
Bandenspanning	Vooraan: 2,2 bar	
	Achteraan: 2,2 bar (2,5 bar met lading)	
Display	4,4" Bosch lcd-display	
Motor	Bosch-aandrijfeenheid 48 V	
Accu	2,4 kWh Lithiumaccu's	
Oplader	1200 W Ingebouwde oplader	
Laadtijd	100 % op ongeveer 5 uur	
	50 % op ongeveer 1½ uur	
Passagiers	0 persoon (alleen de chauffeur)	

Bereik	109 km (45 km/uur, 2 accu's)	96 km
	56 km (45 km/uur, 1 accu)	
	150 km (25 km/uur, 2 accu's)	
	66 km (25 km/uur, 1 accu)	
Riemspanning	1 <sup>e</sup> fase: 130 (+20/-0) Hz	
	2 <sup>e</sup> fase: 100 (+20/-0) Hz	
Type rem	Remschijven voor- en	CBS
Remvloeistof	DOT 4	
Lichten	Voorlicht: H4 12 V 35 W	
	Positielicht: W3W 12 V 3 W	
	Achterlicht: Led 12 V	
	Remlicht: Led 12 V	
	Indicatoren: Led 12 V	
	Kentekenplaat: Led 12 V	
Laadvermogen (stoel)	maximaal 125 kg	
Capaciteit imperiaal	maximaal 25 kg	
Compartiment onder stoel	maximaal 5 kg	

# Onderhoudsschema

Voor uw veiligheid en om de levensduur van het voertuig te verlengen, volgt u het onderhoudsschema.

Items	Frequentie x1000 km	Kilometerstand													
		0,5	3,5	7,0	10,5	14,0	17,5	21,0	24,5	28,0	31,5	35,0	38,5		42,0
1 Motortandwielen	Nazicht elke 3.500 km	I	I	I	I	I	I	R	I	I	I	I	I	R	Vervangen indien beschadigd
2 Nokkenas motor	Nazicht elke 3.500 km	I	I	I	I	I	I	I	I	I	I	I	I	I	Kopervet vervangen elke 3.500 km
3 Banden vooraan/achteraan	Nazicht elke 3.500 km	Vervangen indien de banddiepte minder is dan 2 mm												Vervangen indien beschadigd	
4 Remblokjes vooraan/achteraan	Nazicht elke 3.500 km	Vervangen indien de blokdikte minder is dan 2 mm												Vervangen indien beschadigd	
5 Remschijven vooraan/achteraan	Nazicht elke 3.500 km	Vervangen indien de schijfdikte minder is dan 3 mm												Vervangen indien beschadigd	
6 Aandrijfriemen	Nazicht elke 3.500 km	I	I	I	R	I	I	R	I	I	R	I	I	R	Vervangen elke 10.500 km
7 Remvloeistof	Nazicht elke 3.500 km	I	I	I	I	I	I	I	I	I	I	I	R	I	Vervangen om de 2 jaar of elke 40.000 km
8 Wiellagers vooraan/achteraan	Nazicht elke 3.500 km	I	I	I	I	I	R	I	I	I	I	R	I	I	Vervangen indien beschadigd
9 Stuurhuislagers	Nazicht elke 3.500 km	I	I	I	I	I	R	I	I	I	I	R	I	I	Vervangen indien beschadigd
10 Achterschokbreker	Nazicht elke 3.500 km	I	I	I	I	I	I	I	I	I	I	I	I	I	Vervangen indien beschadigd
11 Voorvork	Nazicht elke 3.500 km	I	I	I	I	I	I	I	I	I	I	I	I	I	Vervangen indien beschadigd
12 Middenstandaard	Nazicht en smering elke 3.500 km	I	I	I	I	I	I	I	I	I	I	I	I	I	Vervangen indien beschadigd
13 Gashendel	Nazicht elke 3.500 km	I	I	I	I	I	I	I	I	I	I	I	I	I	Vervangen indien beschadigd of kleverig
14 Verlichting	Nazicht elke 3.500 km	I	I	I	I	I	I	I	I	I	I	I	I	I	Vervangen indien beschadigd
15 Zadel/zadelslot	Nazicht elke 3.500 km	I	I	I	I	I	I	I	I	I	I	I	I	I	Vervangen indien beschadigd
16 Belangrijke bouten en moeren	Nazicht elke 3.500 km	I	I	I	I	I	I	I	I	I	I	I	I	I	Vervangen indien beschadigd
17 Accupolen ("+", "-"), nazicht koppel	Nazicht elke 3.500 km	I	I	I	I	I	I	I	I	I	I	I	I	I	POSITIEF: 15Nm. NEGATIEF: 9 Nm
18 Motorschroeven en -polen, nazicht koppel	Nazicht elke 3.500 km	I	I	I	I	I	I	I	I	I	I	I	I	I	20 Nm

**OPMERKING:**

I - nazicht (indien nodig schoonmaken, bijstellen en

R - vervangen



Neem contact op met een erkend servicecentrum voor keuring. Probeer de scooter niet zelf te herstellen.

Het onderhoudsschema niet volgen zorgt ervoor dat de garantie niet meer geldig is. Elke keuring moet worden gedocumenteerd.

# Onderhoudsboekje

FRAMENUMMER: \_\_\_\_\_

Gepland keuring	Werkelijke kilometerstand	Datum	Volgende keuring	Handtekening	Stempel
500 km					
3500 km					
7000 km					
10500 km					

NL

# Onderhoudsboekje

---

Gepland keuring	Werkelijke kilometerstand	Datum	Volgende keuring	Handtekening	Stempel
14000 km					
17500 km					
21000 km					
24500 km					

NL

# Onderhoudsboekje

Gepland keuring	Werkelijke kilometerstand	Datum	Volgende keuring	Handtekening	Stempel
28000 km					
315000 km					
35000 km					
38500 km					

NL

# Contact

---

## **GOVECS AG**

Bavariafilmplatz 7, Geb. 3a  
82031 Grünwald  
Germany

[www.govecsgroup.com](http://www.govecsgroup.com)

Service Hotline: +49 800 788 788 30  
[service@govecs.com](mailto:service@govecs.com)

Online-Shop: [www.govecs-scooter.com](http://www.govecs-scooter.com)



NL

# Version history

---

## v 1.1

- first release

## v 1.2

- updated company logo
- changed product name (Govecs GOIT is now Govecs PRO CARGO)
- added L3e data (page 29)
- updated torque values for battery cables (9>15 Nm; 5>9 Nm) - page 30

## v 1.3

- corrected max. loading capacity values
- corrected belt tension values in specification sheet

## v 1.3.1

- updated address and contact information